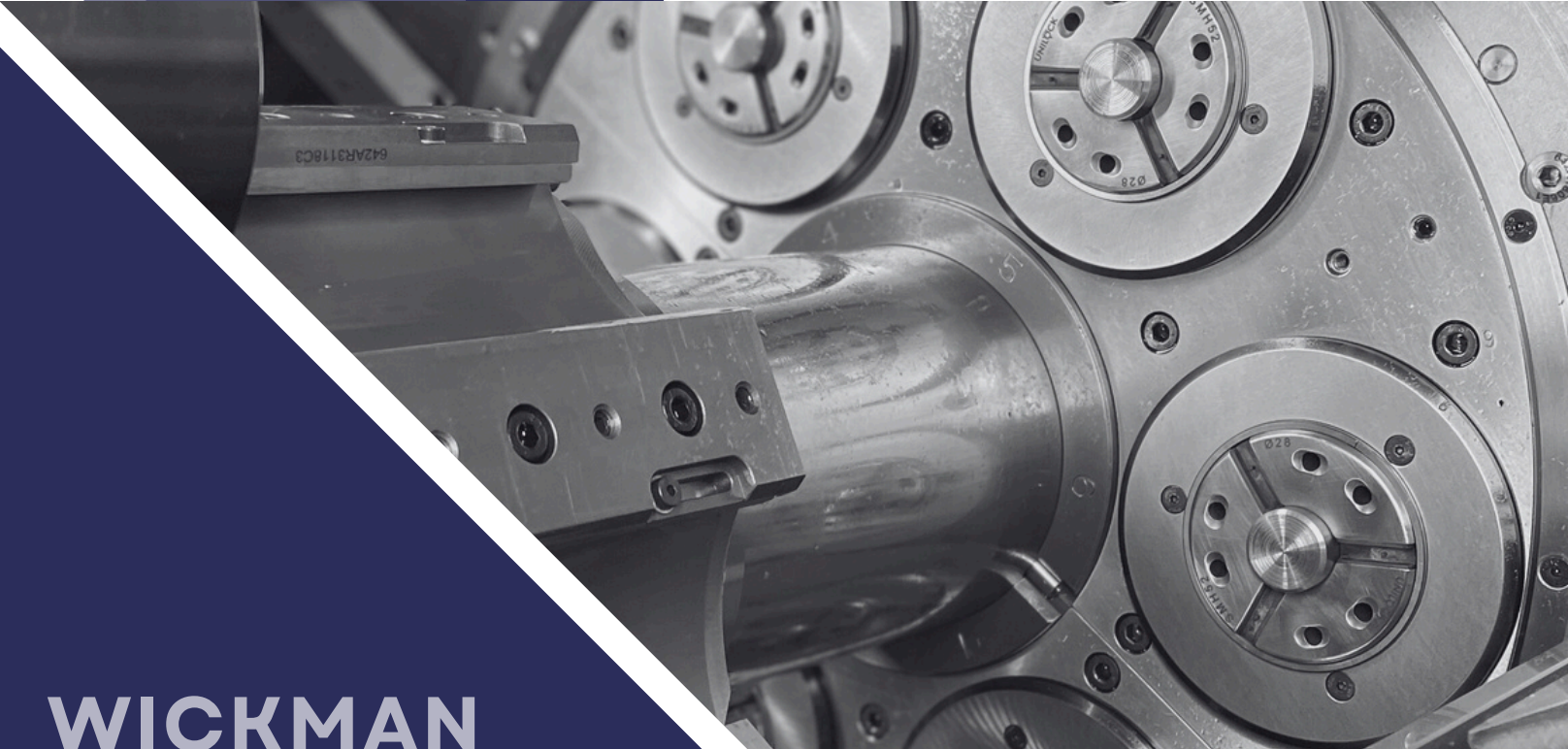




PIÈCES DÉTACHÉES



WICKMAN

5/8 -6

TAJMAC-FRANCE

GENERAL INDEX TO ARRANGEMENT DRAWINGS AND LISTS OF PARTS

	Drawing No.	Plate No.	MACHINES		Drawing No.	Plate No.	MACHINES	
			$\frac{3}{8}$ "-6	$\frac{5}{8}$ "-6S			$\frac{3}{8}$ "-6	$\frac{5}{8}$ "-6S
AUTOMATIC STOP	420 Z 1	10	*	*	441 Z 1	23	*	*
AUTOMATIC STOP, FRONT AND REAR	454 Z 1	29		*	441 Z 2	24	*	*
AUTOMATIC STOP, FRONT	453 Z 1	28	*	*	461 Z 1A	34	*	*
BAR FEED	458 Z 1	32	*	*	418 Z 1C	6	*	*
BAR FEED, REAR	459 Z 1	33		*	439 Y 1A	21	*	*
BAR STOP, STATIONS 3 & 6	446 Z 1	27	*	*	423 Z 2	16	*	*
BAR STOP, FRONT AND REAR	450 Y 1	27A	*	*	442 Z 1	25	*	*
BAR STOP WITH FORMING SLIDE IN 3RD STATION	451 Y 1	27B		*	444 Z 1	26	*	*
CENTRE BLOCK AND LONGITUDINAL SLIDES	423 Z 1	15	*	*	417 Z 1A	5	*	*
CENTRE BLOCK AND LONGITUDINAL SLIDES, OPERATION	423 Z 3	17	*	*	418 Z 2	7	*	*
CENTRE BLOCK AND LONGITUDINAL SLIDES, STATIONS 4 & 5	427 Z 1	18	*	*	416 Z 1B	4	*	*
COLLET OPERATION, FRONT	456 Z 1A	30	*	*	437 Y 1A	20	*	*
COLLET OPERATION, REAR	457 Z 1A	31		*	439 Y 2A	22		*
CONTROL SHAFTS	419 Z 1	8	*	*	401 Z 1A	1	*	*
CONTROL SHAFTS, HANDWIND	419 Z 2A	9	*	*	402 Z 1A	2		*
COOLANT PUMP	469 V 1	38	*	*	464 Z 1D	37	*	*
COOLANT PUMP DRIVE	417 Z 1A	5	*	*	402 Z 3	3		*
COOLANT PUMP AND DRIVE LUBRICATION	417 Z 1A	5	*	*	475 Z 1	39	*	*
COVER, FRONT	422 Z 1	11	*	*	463 Z 1A	35	*	*
COVER, PLAN AND REAR VIEWS	422 Z 2	12	*	*	463 Z 2A	36	*	*
COVER, END VIEWS	422 Z 3	13	*	*	435 Z 1B	19	*	*
COVERS, UPPER MOTION	422 Z 4	14	*	*				

†Optional Extra

GENERAL INDEX TO ARRANGEMENT DRAWINGS AND LISTS OF PARTS

Drawing No.	Plate No.	MACHINES		Drawing No.	Plate No.	MACHINES	
		$\frac{5}{8}$ "-6	$\frac{5}{8}$ "-6D			$\frac{5}{8}$ "-6S	$\frac{5}{8}$ "-6D
AUXILIARY CROSS SLIDE MOTION CAM LEVER MK.I, ALL STATIONS	493 V 1	61	*	EXTRA PARTS FOR THREADING ATTACHMENT MK.I (FOR USE WITH PICK-UP ATTACHMENT), STATIONS 4 & 5	486 V 7A	46	*
AUXILIARY CROSS SLIDE MOTION CAM LEVER MK.I, STATION 5	493 V 2	62	*	HIGH SPEED DRILLING ATTACHMENT DRIVE MK.I	490 Y 3	57	*
AUXILIARY LONGITUDINAL MOTION MK.I, STATIONS 1 OR 6	489 Z 1	52	*	HIGH SPEED DRILLING ATTACHMENT SPINDLE MK.II	490 V 4A	56	*
AUXILIARY LONGITUDINAL MOTION MK.I STATIONS 2 OR 3	489 Z 2	53	*	LIMIT SWITCH	486 V 6B	45	*
AUXILIARY LONGITUDINAL MOTION MK.I, STATION 6	489 Z 3	54	*	PICK-UP ATTACHMENT, STATION 6	495 Z 1D	66	*
AUXILIARY LONGITUDINAL MOTION MK.I, STATION 3	489 Z 4	55	*	REAMING ATTACHMENT BODY AND SLIDE MK.I, STATIONS 1, 2, 3 & 6	488 V 1	51	*
BAR STOP FOR BACK BURRING, STATIONS 3 & 6	495 Z 5B	68	*	REAMING CAMS, STATIONS 1, 2, 3 & 6	487 Z 2A	50	*
CHASING ATTACHMENT MK.II	492 Y 4A	59	*	SAW SLOTTING ATTACHMENT MK.II, STATION 6	496 Z 3C	71	*
CHASING ATTACHMENT DRIVE MK.I, STATIONS 4 & 5	492 Z 1	60	*	SAW SLOTTING ATTACHMENT MK.II, STATION 3	496 Z 6A	73	*
COLLET OPERATING MECHANISM FOR PICK-UP ATTACHMENT, STATIONS 3 & 6	495 Z 3C	67	*	SYNCHRONOUS DRIVE MK.I	490 V 5	58	*
COMMON PARTS TO THREADING ATTACHMENT MK.I, ALL STATIONS	486 Y 1B	47	*	THREADING ATTACHMENT DRIVE SLEEVE MK.I	482 V 1	41	*
EXTRA PARTS FOR AUXILIARY CROSS SLIDE MOTION MK.I, STATIONS 1 & 2	493 X 118	63	*	THREADING CAMS, STATIONS 1, 2, 3 & 6	487 Z 1A	49	*
EXTRA PARTS FOR AUXILIARY CROSS SLIDE MOTION MK.I, STATIONS 3 & 6	493 X 119	64	*	THREADING CAMS MK.III, STATIONS 4 & 5	486 Y 5B	48	*
EXTRA PARTS FOR AUXILIARY CROSS SLIDE MOTION MK.I, STATIONS 4 & 5	493 V 120	65	*	THREADING CLUTCH DRIVE MK.II	481 Y 1A	40	*
EXTRA PARTS FOR THREADING ATTACHMENT MK.I, STATIONS 4 & 5	486 V 2	42	*	TRANSFER ARM PICK-UP ATTACHMENT, STATION 6 (SEE ALSO 496 Z 1B)	496 Z 2C	70	*
EXTRA PARTS FOR THREADING ATTACHMENT MK.I STATIONS 1, 2, 3 & 6	486 V 3A	43	*	TRANSFER ARM PICK-UP ATTACHMENT, STATION 6 (SEE ALSO 496 Z 2C)	496 Z 1B	69	*
EXTRA PARTS FOR THREADING ATTACHMENT MK.I (DIEHEAD ONLY), STATIONS 3 & 6	486 V 4A	44	*	TRANSFER ARM PICK-UP ATTACHMENT, STATION 3	496 Z 4	72	*

**WICKMAN
MULTI-SPINDLE
AUTOMATICS**

SPINDLE ASSEMBLY

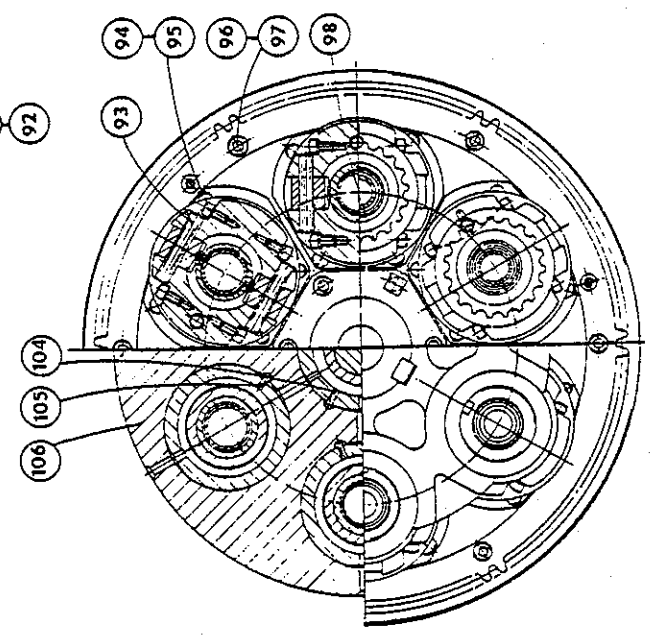
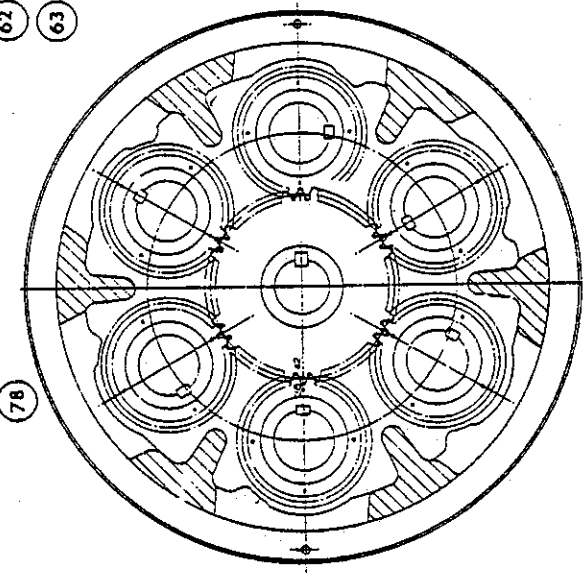
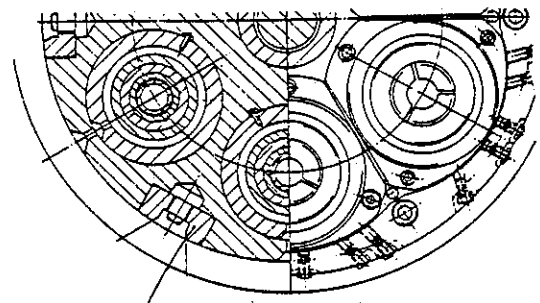
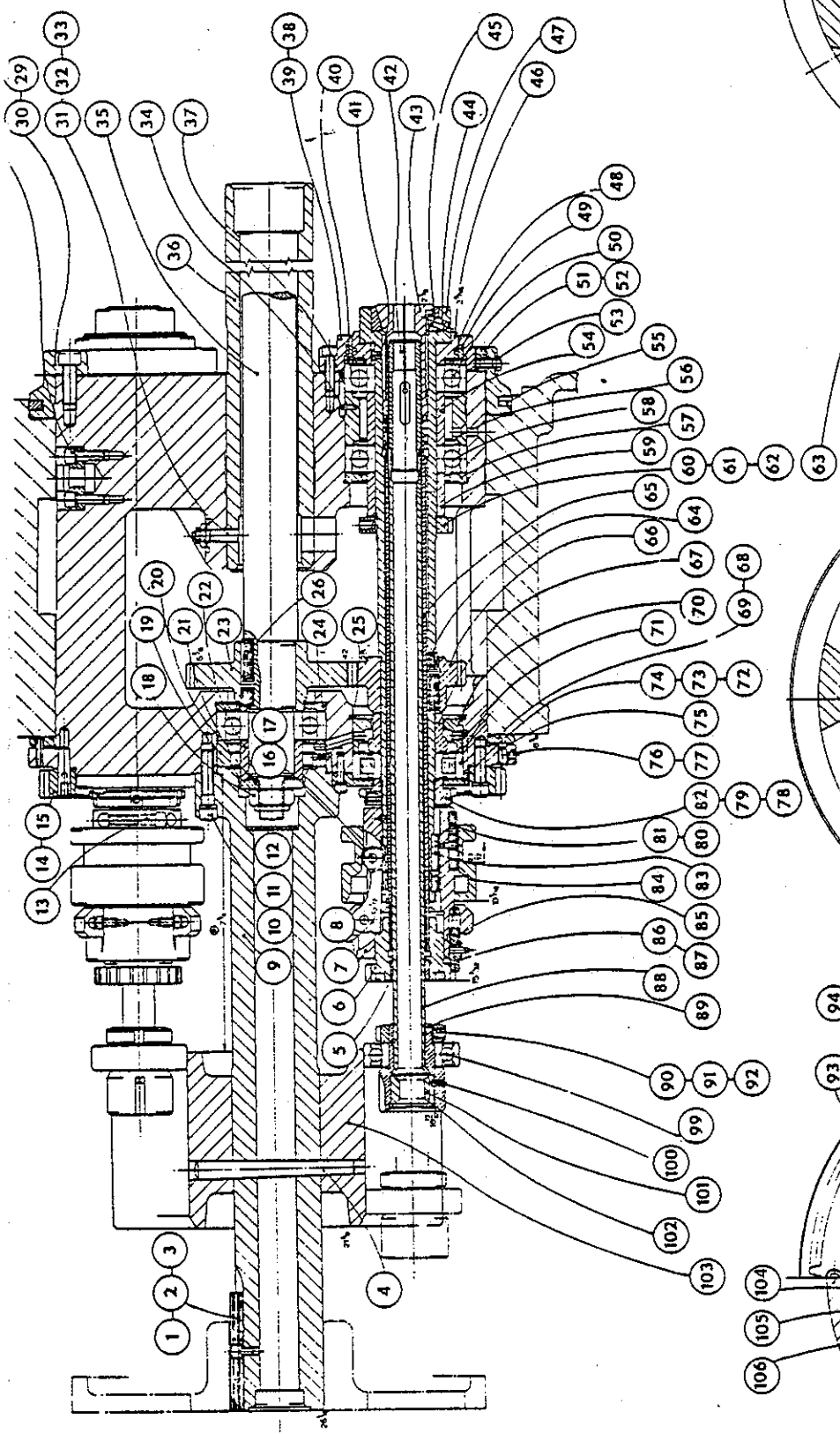
¾" - 6, ¾" - 6D MACHINES

INDEX PART NO.	TITLE	INDEX PART NO.	TITLE	INDEX PART NO.	TITLE
1	156/206	38	155/0414	80	159/405
2	101X.172	39	401X.1148	81	401X.151
3	154/03	40	401X.163	82	401X.124
4	125/3264	41	401X.141	83	122/0824T
5	401X.130	42	—	84	401V.111
6	401X.126	43	—	85	401X.1288
7	401V.110A	44	401X.148A	86	401X.1288
8	401X.104	45	401X.147A	87	125/1010
9	401V.165	46	401X.115A	88	401X.155
10	154/05	47	401V.102	89	401X.132
11	155/0524	48	401X.116	90	401X.133
12	129/19	49	401X.113A	91	176/0404
13	401X.1508	50	S881	92	153/04
14	141/3	51	179/204	93	401X.105
15	401V.109	52	153/42	94	156/206
16	401X.107	53	401X.156	95	154/03
17	101X.106	54	401X.159	96	155/0516
18	203/10L	55	401Y.197	97	154/05
19	401X.161	56	401X.117B	98	139/16
20	S885	57	401X.118	99	258/30SS
21	401X.163	58	S881	100	326/0406
22	401X.162	59	401X.119	101	102/13
23	401X.136	60	401X.198	102	102/13
24	401X.160	61	176/0405	103	401V.168A
25	356/283	62	153/04	104	326/0406
26	121/1028T	63	401X.146	105	401Z.1018
27	155/0412	64	122/0824		
28	154/04	65	401X.154		
29	155/0616	66	401X.112		
30	401Y.134A	67	401X.123		
31	401X.142	68	326/0512		
32	130/05	69	401X.135A		
33	203/05L	70	401X.120		
34	143/0406B	71	S882		
35	401V.164	72	154/03		
36	401V.108				

List of Parts for
PLATE No.1
(Drawing No.401Z1A)

WHEN ORDERING SPARE PARTS ALWAYS QUOTE THE SERIAL NUMBER OF THE MACHINE

1.47 (28)



401 Z 1 A

**WICKMAN
MULTI-SPINDLE
AUTOMATICS**

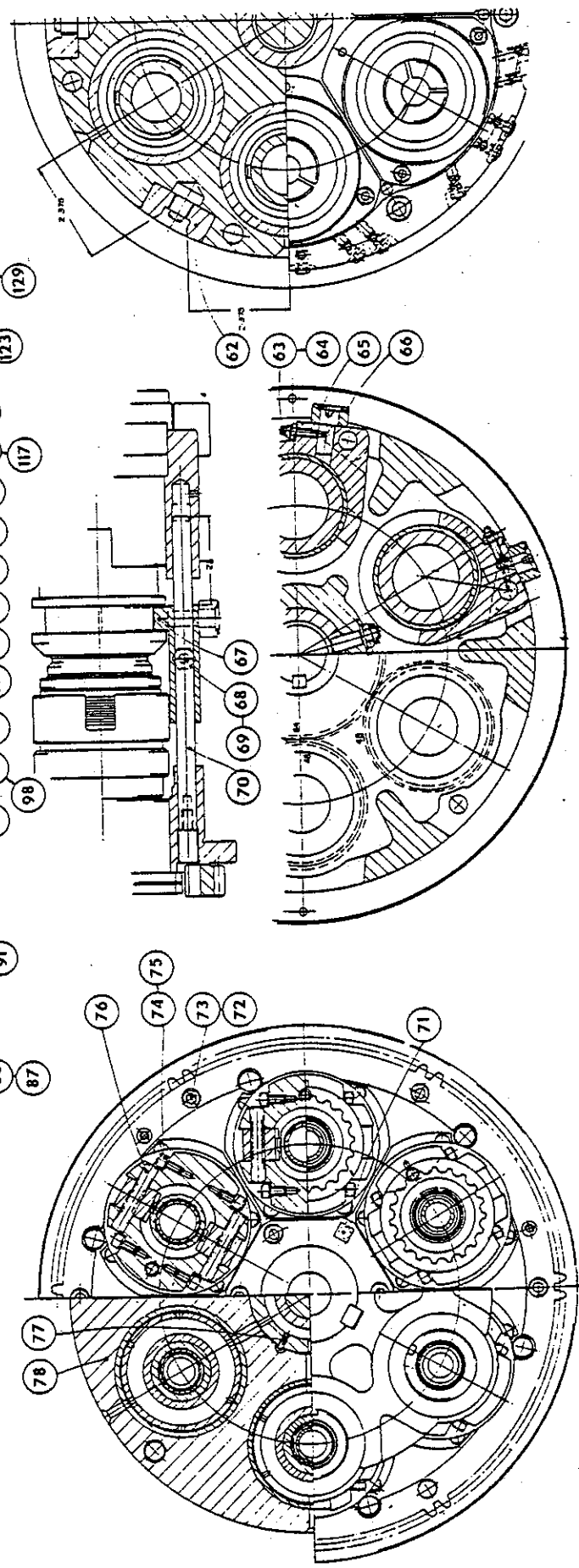
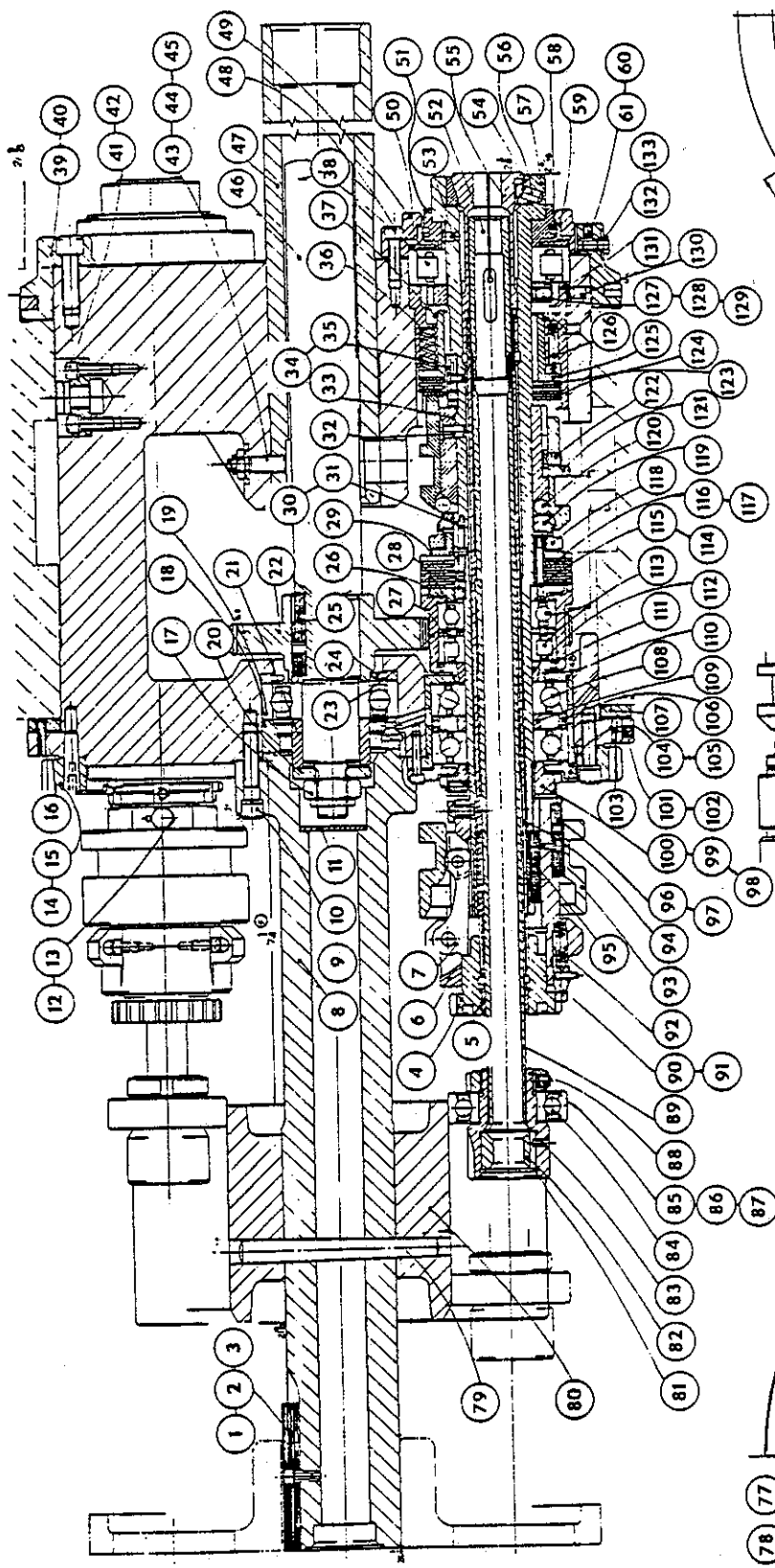
SPINDLE ASSEMBLY (Spindle Stopping)

$\frac{3}{8}$ "—6S MACHINE

INDEX PART NO.	TITLE	INDEX PART NO.	TITLE	INDEX PART NO.	TITLE
1	156/206	47	401V.108	91	125/1010
2	101X.172	48	155/0414	92	401X.128B
3	154/03	49	402X.114A	93	401V.111
4	401X.126	50	402X.134A	94	401X.154
5	401X.130	51	402X.115A	95	122/0824T
6	401V.110B	52	—	96	401X.151A
7	401X.104	53	401X.141	97	156/404
8	401V.165	54	401X.147A	98	153/04
9	154/05	55	—	99	176/0405
10	155/0524	56	401X.148A	100	401X.124
11	129/19	57	402V.102A	101	179/204
12	41E	58	401X.116	102	153/42
13	101X.267A	59	401X.113A	103	178/0508
14	141/3	60	153/42	104	402X.121
15	402X.109	61	179/204	105	156/214
16	326/0512	62	401X.146	106	402X.127
17	203/10L	63	182/216	107	401X.135A
18	401X.161	64	203/2	108	5884
19	5885	65	402X.130	109	402X.126
20	401X.163	66	402X.129	110	402X.135
21	401X.162	67	402V.131	111	356/243
22	402X.136	68	182/212	112	402X.133
23	402X.123	69	203/2	113	5886
24	401X.160	70	402X.128	114	402X.119A
25	121/1028T	71	139/16	115	402X.120A
26	402X.124	72	154/05	116	402X.108
27	402X.125	73	155/0516	117	402X.107
28	402X.118	74	155/206	118	402X.116
29	402X.117	75	154/03	119	402X.137
30	159/404	76	401X.105	120	—
31	402X.122	77	326/0406	121	402X.113A
32	402X.112	78	402Z.101A	122	102X.197B
33	402X.111	79	125/3264	123	402X.132
34	159/406	80	401V.168A	124	402X.107
35	402X.110A	81	102/13	125	402X.105
36	102X.220	82	—	126	402X.106
37	355/225	83	326/0406	127	402X.156
38	5883	84	258/305S	128	176/0405
39	401Y.134A	85	401X.133	129	153/04
40	155/0616	86	176/0404	130	401V.197
41	155/0412	87	153/04	131	402X.103
42	154/04	88	401X.132	132	402X.104A
43	401X.142	89	401X.155	133	401X.156
44	130/05	90	401X.129B		
45	203/05L				
46	401V.164				

List of Parts for
PLATE No. 2
(Drawing No. 402Z1A)

WHEN ORDERING SPARE PARTS ALWAYS QUOTE THE SERIAL NUMBER OF THE MACHINE



**WICKMAN
MULTI-SPINDLE
AUTOMATICS**

**SPINDLE-STOPPING CAMS
3/4"-6S MACHINE**

INDEX NO.	PART NO.	TITLE	INDEX NO.	PART NO.	TITLE
1	199/12	Shakeproof Lockwasher, Internal, 1/8" dia.	22	402V.144	Cam, Start 4th, 5th
2	167/0512	Hexagon Head Set Screw, 1/8" B.S.F. x 3/8" long	23	402V.154	Cam, Stop 4th
3	402X.141A	Fulcrum Plate	24	402V.148	Guard Cam
4	402Z.142	Additional Machining to the Drum Housing for Spindle Stopping	25	402X.143	Cam, Start 2nd, 4th, 6th
5	402V.153	Cam, Stop 3rd	26	402V.149	Guard Cam
6	402V.149	Guard Cam	27	402X.143	Cam, Start 2nd, 4th, 6th
7	402X.143	Cam, Start 2nd, 4th, 6th	28	402X.146	Cam, Stop 1st
8	402X.145	Guard Cam	29	402V.147	Guard Cam
9	402X.146	Cam, Stop 1st	30	402X.146	Cam, Stop 1st
10	402X.143	Cam, Start 2nd, 4th, 6th	31	402V.147	Guard Cam
11	402V.151	Guard Cam	32	402V.147	Guard Cam
12	402V.152	Cam, Stop 2nd, 5th	33	402V.151	Guard Cam
13	402X.143	Cam, Start 2nd, 4th, 6th	34	402X.144	Cam, Start 3rd, 5th
14	402V.151	Guard Cam	35	492V.148	Cam, Start 2nd, 4th, 6th
15	402X.144	Cam, Start 3rd, 5th	36	402X.143	Cam, Stop 1st
16	402V.154	Cam, Stop 4th, 5th	37	402V.147	Guard Cam
17	402X.144	Cam, Start 4th, 5th	38	402V.146	Cam, Stop 1st
18	402V.152	Cam, Stop 2nd, 5th	39	402V.147	Guard Cam
19	402X.145	Guard Cam	40	402V.150	Cam, Stop 2nd
20	402X.146	Cam, Stop 1st	41	402X.145	Guard Cam
21	402V.148	Guard Cam	42	402X.143	Cam, Start 2nd, 4th, 6th

Spindle Stopped and remains stopped in:	CAMS REQUIRED												DEVELOPMENT
	402X.143	402X.144	402X.145	402X.146	402V.147	402V.148	402V.149	402V.150	402V.151	402V.152	402V.153	402V.154	
1	I			I									B
2	I	I								I			D
3	I	I	I								I		A
4		I	I									I	E
5	I		I										C
1 & 2			I	I									F
1, 2 & 3			I	I	I								H
1, 2, 3 & 4			I	I	I	2							J
1, 2, 3, 4 & 5			I	I	I	2	I						K
2 & 3			I	I									L
2, 3 & 4			I	I									M
2, 3, 4 & 5			I	I									N
3 & 4			I	I									P
3, 4 & 5			I	I									R
4 & 5			I	I									G

List of Parts for
PLATE No. 3
(Drawing No. 402Z3)

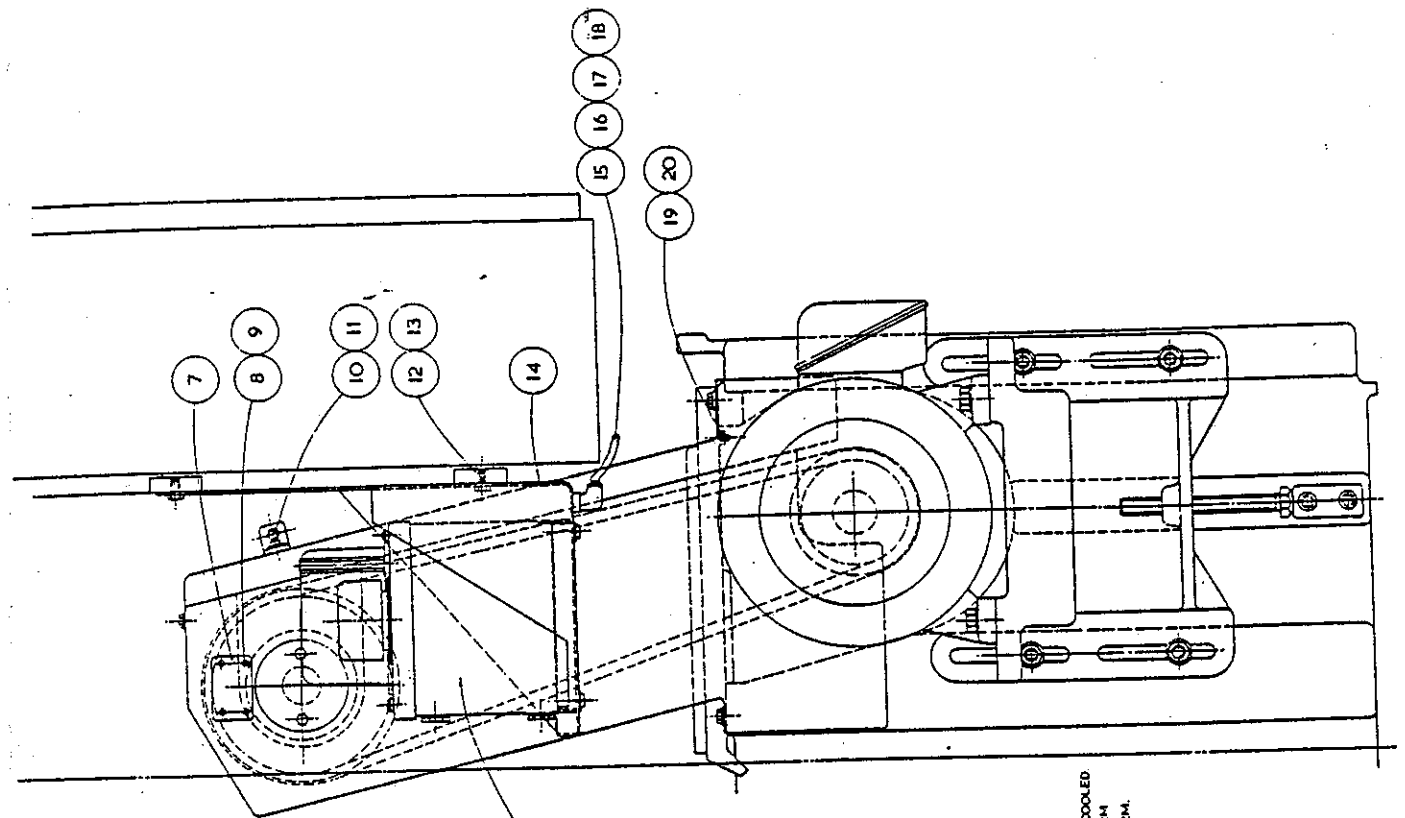
WHEN ORDERING SPARE PARTS ALWAYS QUOTE THE SERIAL NUMBER OF THE MACHINE

LIST OF PARTS FOR PLATE NO.4 (DRAWING 416 Z 1C)

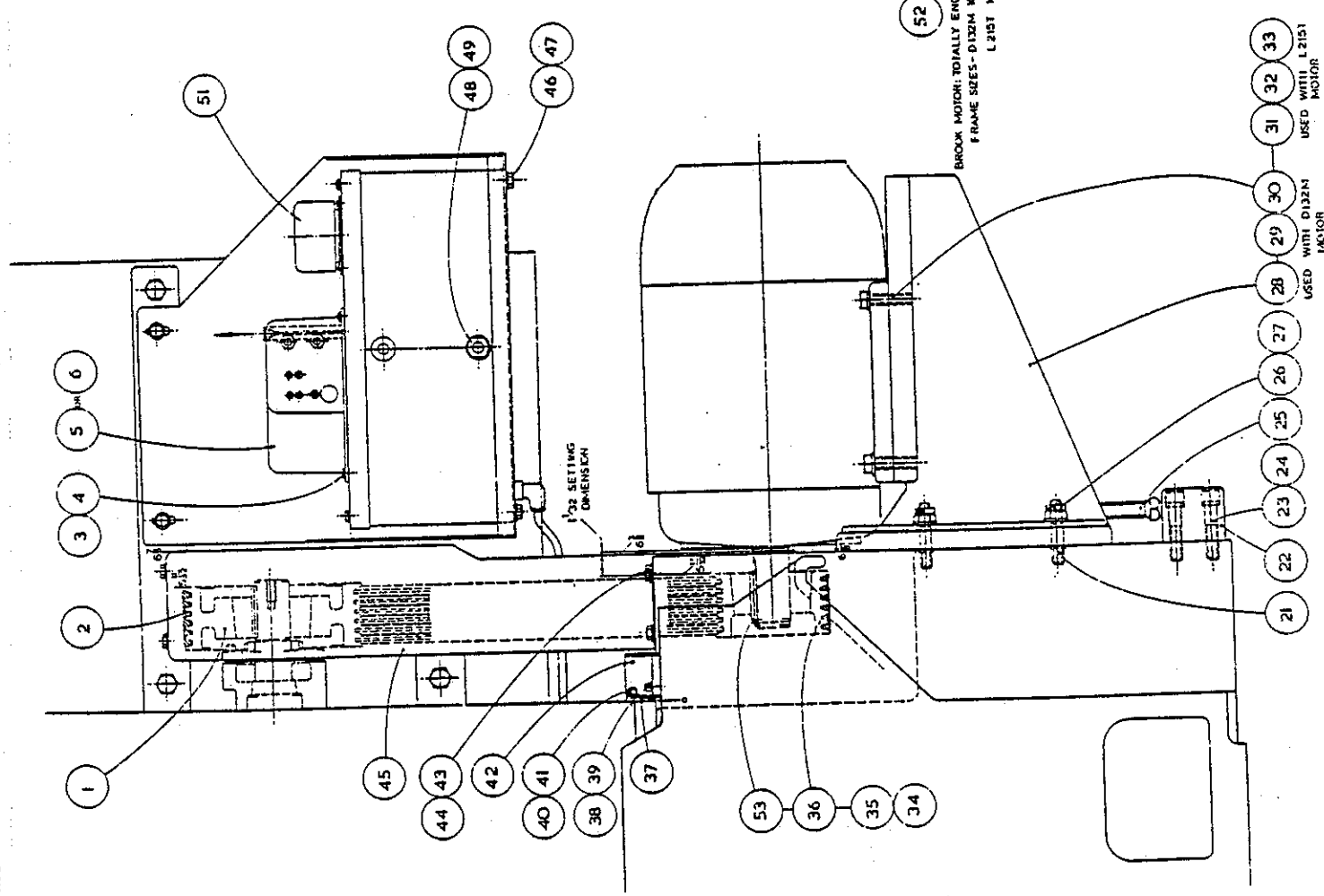
MOTOR DRIVE AND LUBTRONIC PUMP

1.	416 X 111	DRIVEN PULLEY
2.	ALPHA 630	SPACESAVER WEDGE BELT 63" LONG
3.	160/0408	SOCKET DOME HEAD SCREW 1/4" BSF X 1/2" LONG
4.	154/04	SPRING WASHER 1/4" NOM. BORE
5.	83422-038	LUBTRONIC PUMP 115V, 50HZ
6.	83422-041	LUBTRONIC PUMP 115V, 60HZ
7.	416 X 107	MOTOR DIRECTION CHECK PLATE
8.	165/406	ROUND HEAD SCREW 4BA X 3/8" LONG
9.	203/4	SELF LOCKING HEXAGON NUT 4BA
10.	167/0510	HEXAGON HEAD SET SCREW 5/16" BSF X 5/8" LONG
11.	198/12	INTERNAL LOCKWASHER 5/16" NOM. BORE
12.	167/0508	HEXAGON HEAD SET SCREW 5/16" BSF X 1/2" LONG
13.	130/05	FLAT WASHER 5/16" NOM. BORE
14.	468 Y 512	LUBRICATOR PLATFORM
15.	219/4	ELBOW 5/16" TUBE TO MALE 1/4" BSP
16.	215/9	TUBING NUT 5/16" TUBE
17.	221/7	SLEEVE 5/16" TUBE
18.	225/5050	COPPER TUBE 5/16" O/D X 15" LONG
19.	422 X 127	FILLING PIECE
20.	159/206	SOCKET COUNTERSINK SCREW 2 BA X 3/8" LONG
21.	237 X 119	STUD
22.	116 X 113	SUPPORT BLOCK
23.	155/0840	SOCKET HEAD CAP SCREW 1/2" BSF X 2.1/2" LONG
24.	154/08	SPRING WASHER 1/2" NOM. BORE
25.	416 X 104	JACK SCREW
26.	203/08	SELF LOCKING HEXAGON NUT 1/2" BSF
27.	130/08	FLAT WASHER 1/2" NOM. BORE
28.	416 Z 103A/1	MOTOR PLATFORM USED WITH D132M MOTOR
29.	167/0724	HEXAGON HEAD SET SCREW 7/16" BSF X 1.1/2" LONG FOR MOTOR D132M
30.	130/07	FLAT WASHER 7/16" NOM. BORE FOR MOTOR D132M
31.	416 Z 103A/2	MOTOR PLATFORM USED WITH L215T MOTOR
32.	167/0624	HEXAGON HEAD SET SCREW 3/8" BSF X 1.1/2" LONG FOR MOTOR L215T
33.	130/06	FLAT WASHER 3/8" NOM. BORE FOR MOTOR L215T
34.	121/1032	KEY FOR MOTOR L215T
35.	416 X 105	MOTOR PULLEY FOR MOTOR L215T
36.	416 X 112A	MOTOR PULLEY FOR MOTOR D132M
37.	422 X 124	GASKET FOR OIL DRIP TRAY
38.	130/04	FLAT WASHER 1/4" NOM. BORE
39.	155/0408	SOCKET HEAD CAP SCREW 1/4" BSF X 1/2" LONG
40.	130/04	FLAT WASHER 1/4" NOM. BORE
41.	155/0408	SOCKET HEAD CAP SCREW 1/4" BSF X 1/2" LONG
42.	422 V 123A	OIL DRIP TRAY
43.	198/12	INTERNAL LOCK WASHER 5/16" NOM. BORE

44.	167/0510	HEXAGON HEAD SET SCREW 5/16" BSF X 5/8" LONG
45.	422 Z 122C	BELT GUARD
46.	167/0508	HEXAGON HEAD SET SCREW 5/16" BSF X 1/2" LONG
47.	130/05	FLAT WASHER 5/16" NOM. BORE
48.	4072	WINDOW NUT STYLE PW 1/2" BSP) 'ADAMS' PLASTIC
49.	4081	LOCKNUT STYLE PWL 1/2" BSP) OIL WINDOW
50.	468 Z 181	LUBRICATION TANK
51.	EFB 1550EN	VICKERS FILLER BREATHER
52.		BROOK MOTOR TOTALLY ENCLOSED FAN COOLED
		FRAME SIZES: D132M - 10HP 1480 RPM L215T - 10HP 1800 RPM
53.	416 X 115	KEY FOR MOTOR D132M



416 Z 1 C



52
 BROOK MOTOR: TOTALLY ENCLOSED FAN COOLED
 FRAME SEES-D132M 30HP 1480 RPM
 L215T 30HP 1800 RPM.

31 32 33
 USED WITH L215T
 MOTOR

28 29 30
 USED WITH L215T
 MOTOR

**WICKMAN
MULTI-SPINDLE
AUTOMATICS**

**MAIN DRIVE GEARING
COOLANT PUMP DRIVE
COOLANT PUMP AND DRIVE LUBRICATION**
3/8" - 6, 3/4" - 6S, 3/4" - 6D MACHINES

INDEX PART NO.	TITLE	INDEX PART NO.	TITLE
1	417X.117A Centre Guide Bearing	84	356/185 Retaining Ring, Internal, 47 mm
2	417X.109 Centre Shaft Coupler	85	469X.130A Drive Shaft
3	355/177 Retaining Ring, External, 45mm	86	469X.127 Drive Coupling
4	155/0412 Socket Head Cap Screw, 1/4" B.S.F. x 3/4" long	87	469X.134 Shear Pin
5	154/04 Spring Washer, 1/2" dia.	88	160/206 Dome Head Socket Screw, 2 B.A. x 3/8" long
6	268/45 Ball Journal, Light, 45 x 75 x 16 mm	89	469X.126 Driven Coupling
7	356/300 Retaining Ring, Internal, 3" dia.	90	176/0504 Socket Set Screw, Cup Point, 5/16" B.S.F. x 1/4" long
8	417X.110 Spacer	91	236/111314 Oil Retaining Bush, 11/16" x 13/16" x 7/8" long
9	417X.111B Gear Centre	92	176/0508 Socket Set Screw, Cup Point, 5/16" B.S.F. x 1/4" long
10	417X.112 Spacer	93	121/0820T Parallel Key, Tapped, 1/2" square x 1 1/2" long
11	355/177 Retaining Ring, External, 45mm	94	176/0406 Socket Set Screw, Cup Point, 1/4" B.S.F. x 3/8" long
12	198/8 Lockwasher, 1/2" dia.	95	153/04 Soft Pad, for 1/2" dia.
13	167/0412 Hexagon Head Screw, 1/2" B.S.F. x 3/4" long	96	155/0420 Socket Head Cap Screw, 1/4" B.S.F. x 1 1/2" long
14	417X.107 Clamp Ring	97	154/04 Spring Washer, 1/2" dia.
15	417X.143 Jockey Carrier	98	469X.132 Bearing Housing
16	268/45 Ball Journal, Light, 45 x 75 x 16 mm	99	258/20 Ball Journal, Light Type, 20 x 47 x 14mm
17	182/0410 Socket Set Screw, Taper Point, 1/4" B.S.F. x 5/8" long	100	121/0820T Parallel Key, Tapped, 1/2" square x 1 1/2" long
18	356/300 Retaining Ring, Internal, 3" dia.	101	469X.112B Pump Shaft Sprocket
19	417X.205 Jockey Pin	102	469X.123 Jockey Sprocket
20	417X.113 Chasing Drive Sprocket	103	236/121620 Oil Retaining Bush, 3/4" x 1" x 1 1/4" long
21	417X.139A Drive Pinion	104	See Items 33 to 40
22	121/0820T Parallel Key, 1/2" square x 1 1/2" long	105	417X.130 Extraction Spacer
23	257/30 Ball Journal, Medium, 30 x 72 x 19 mm	106	265/30 Ball Journal, Double Row, 30 x 62 x 20mm
24	154/04 Spring Washer, 1/2" dia.	107	355/118 Retaining Ring, External, 30mm
25	155/0412 Socket Head Cap Screw, 1/4" B.S.F. x 3/4" long	108	118X.197A Feed Slip Gear Screw
26	356/283 Retaining Ring, Internal, 72mm	109	118X.148 "C" Washer
27	355/118 Retaining Ring, External, 30mm	110	159/408 Countersunk Socket Head Screw, 4 B.A. x 1/2" long
28	417X.200B Key for Pick-off Gears	111	417X.2008 Key for Pick-off Gears
29	159/408 Countersunk Socket Head Screw, 4 B.A. x 1/2" long	112	118X.197A Feed Slip Gear Screw
30	118X.148 "C" Washer	113	159/408 Countersunk Socket Head Screw, 4 B.A. x 1/2" long
31	118X.197A Feed Slip Gear Screw	114	417X.2008 Key for Pick-off Gears
32	417X.106 Bearing Housing	115	417V.1218 Input Shaft
33	417X.161 25 Teeth)	116	355/118 Retaining Ring, External, 30mm
34	417X.162 27 Teeth)	117	417V.1288 Centre Drive Shaft
35	417X.163 29 Teeth)	118	417X.105 Bearing Housing
36	417X.164 33 Teeth) Standard Spindle Speed Gears,	119	155/0412 Socket Head Cap Screw, 1/4" B.S.F. x 3/4" long
37	417X.165 39 Teeth) 10 DP, 20° PA	120	154/04 Spring Washer, 1/2" dia.
38	417X.166 43 Teeth)	121	See Items 33 to 40
39	417X.167 45 Teeth)		
40	417X.168 47 Teeth)		
41	265X.30 Ball Journal, Double Row, 30 x 62 x 20mm		
42	355/118 Retaining Ring, External, 30mm		

List of Parts for
PLATE No.5
(Drawing No.417Z1A)

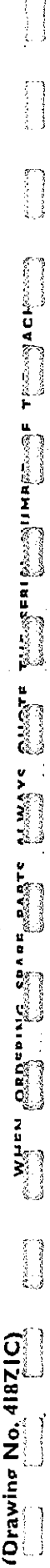
WHEN ORDERING SPARE PARTS ALWAYS QUOTE THE SERIAL NUMBER OF THE MACHINE

**WICKMAN
MULTISPINDLE
AUTOMATICS**

**FEED GEARING
#"-6, #"-6S, #"-6D MACHINES**

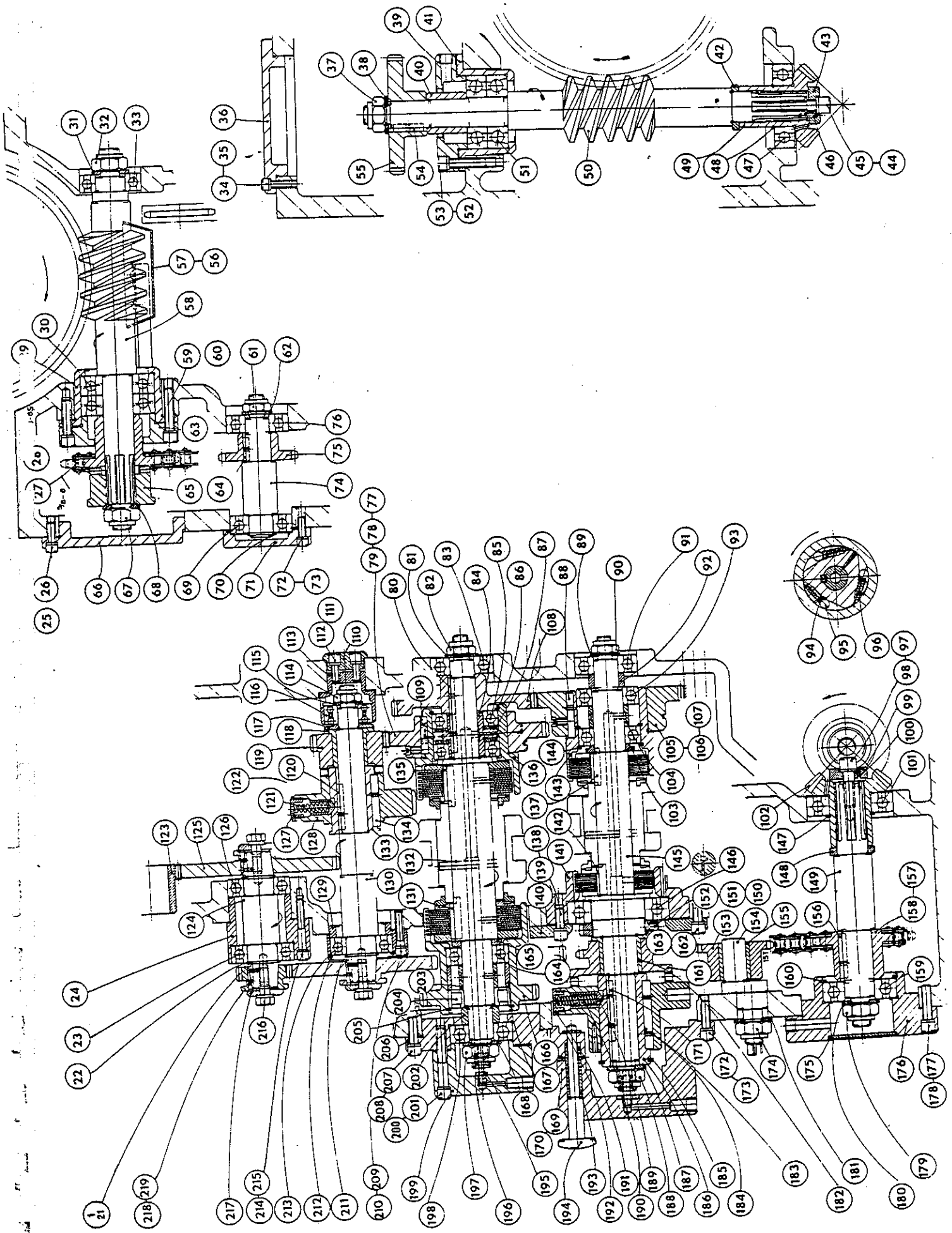
INDEX NO.	PART NO.	TITLE	INDEX NO.	PART NO.	TITLE	INDEX NO.	PART NO.	TITLE
1	418X.172A	19 Teeth	147	355/137	Retaining Ring, External, 35 mm	147	355/137	Retaining Ring, External, 35 mm
2	418X.173A	20 Teeth	148	418X.206	Space Drive Shaft	148	418X.206	Space Drive Shaft
3	418X.174A	22 Teeth	149	418X.236	Solt Pad, 1/2" dia.	149	418X.236	Solt Pad, 1/2" dia.
4	418X.175A	24 Teeth	150	153/04	Socket Set Screw, Cup Point, 1/8" B.S.F. x 1 1/2" long	150	153/04	Socket Set Screw, Cup Point, 1/8" B.S.F. x 1 1/2" long
5	418X.176A	26 Teeth	151	176/0405	Socket Set Screw, Cup Point, 1/8" B.S.F. x 1 1/2" long	151	176/0405	Socket Set Screw, Cup Point, 1/8" B.S.F. x 1 1/2" long
6	418X.177	28 Teeth	152	156/05	Socket Locknut, 45 mm	152	156/05	Socket Locknut, 45 mm
7	418X.178	30 Teeth	153	157/05	Jockey Sprocket, 15 Teeth	153	157/05	Jockey Sprocket, 15 Teeth
8	418X.179	32 Teeth	154	418X.163	Double Eccentric Jockey Pin	154	418X.163	Double Eccentric Jockey Pin
9	418X.180	34 Teeth	155	236/121620	Oil Retaining Bush, 1/2" x 1 1/2" x 1 1/2" long	155	236/121620	Oil Retaining Bush, 1/2" x 1 1/2" x 1 1/2" long
10	418X.181	37 Teeth	156	121/08241	Key, Tapped, 1/2" square x 1 1/2" long	156	121/08241	Key, Tapped, 1/2" square x 1 1/2" long
11	418X.182	41 Teeth	157	418X.162	Sprocket, 23 Teeth, for #"-6S Machine Only	157	418X.162	Sprocket, 23 Teeth, for #"-6S Machine Only
12	418X.183	43 Teeth	158	418X.208	Sprocket, 19 Teeth, for #"-6 Machine Only	158	418X.208	Sprocket, 19 Teeth, for #"-6 Machine Only
13	418X.184	46 Teeth	159	257/25	Ball Journal, Medium, 25 x 52 x 17 mm	159	257/25	Ball Journal, Medium, 25 x 52 x 17 mm
14	418X.185	43 Teeth	160	104/23	Circlip, Internal, 62 mm	160	104/23	Circlip, Internal, 62 mm
15	418X.186	48 Teeth	161	418X.237B	Slipping Clutch Sprocket, 17 Teeth	161	418X.237B	Slipping Clutch Sprocket, 17 Teeth
16	418X.187	50 Teeth	162	155/0512	Hexagon Socket Head Cap Screw, 1/4" B.S.F. x 1 1/2" long	162	155/0512	Hexagon Socket Head Cap Screw, 1/4" B.S.F. x 1 1/2" long
17	418X.188	52 Teeth	163	154/05	Spring Washer, 1/2" dia.	163	154/05	Spring Washer, 1/2" dia.
18	418X.189	54 Teeth	164	258/25Z	Ball Journal, Light, 25 x 52 x 15 mm	164	258/25Z	Ball Journal, Light, 25 x 52 x 15 mm
19	418X.190	56 Teeth	165	418X.109A	Washer	165	418X.109A	Washer
20	418X.191	57 Teeth	166	418X.135	Clutch Gear	166	418X.135	Clutch Gear
21	418X.192	59 Teeth	167	418X.110	Spacer	167	418X.110	Spacer
22	355/98	Retaining Ring, External, 25 mm	168	130/10	Plain Washer, 1/2" dia.	168	130/10	Plain Washer, 1/2" dia.
23	258/25	Ball Journal, Light, 25 x 15 x 52 mm	169	418V.120A	End Cap	169	418V.120A	End Cap
24	418X.101	Bearing Housing	170	179X.403	Socket Set Screw, 4 B.A. x 1/2" long	170	179X.403	Socket Set Screw, 4 B.A. x 1/2" long
25	154/04	Spring Washer, 1/2" dia.	171	122/0832T	Key, Tapped, 1/2" x 1/2" x 2 1/2" long	171	122/0832T	Key, Tapped, 1/2" x 1/2" x 2 1/2" long
26	155/0412	Hexagon Socket Head Cap Screw, 1/4" B.S.F. x 1 1/2" long	172	157/0516	Hexagon Socket Head Cap Screw, 1/4" B.S.F. x 1 1/2" long	172	157/0516	Hexagon Socket Head Cap Screw, 1/4" B.S.F. x 1 1/2" long
27	418X.207	Wormshaft Sprocket, 19 Teeth, for #"-6 Machine Only	173	157/0516	Spring Washer, 1/2" dia.	173	157/0516	Spring Washer, 1/2" dia.
28	418X.161A	Wormshaft Sprocket, 23 Teeth, for #"-6S Machine Only	174	203/10L	Self-locking Nut, Thin, 1/2" B.S.F.	174	203/10L	Self-locking Nut, Thin, 1/2" B.S.F.
29	418X.113	Bearing Housing	175	129/28	Welch Plug, 2 1/2"	175	129/28	Welch Plug, 2 1/2"
30	58.88	Bearing	176	418X.153A	Bearing Sleeve	176	418X.153A	Bearing Sleeve
31	130/10	Plain Washer, 1/2" dia.	177	155/0520	Hexagon Socket Head Cap Screw, 1/4" B.S.F. x 1 1/2" long	177	155/0520	Hexagon Socket Head Cap Screw, 1/4" B.S.F. x 1 1/2" long
32	203/10L	Self-locking Nut, Thin, 1/2" B.S.F.	178	154/05	Spring Washer, 1/2" dia.	178	154/05	Spring Washer, 1/2" dia.
33	258/25	Ball Journal, Light, 25 x 52 x 15 mm	179	203/10L	Self-locking Nut, Thin, 1/2" B.S.F.	179	203/10L	Self-locking Nut, Thin, 1/2" B.S.F.
34	155/0420	Hexagon Socket Head Cap Screw, 1/4" B.S.F. x 1 1/2" long	180	130/10	Plain Washer, 1/2" dia.	180	130/10	Plain Washer, 1/2" dia.
35	154/04	Spring Washer, 1/2" dia.	181	130/10	Plain Washer, 1/2" dia.	181	130/10	Plain Washer, 1/2" dia.
36	203/10L	Self-locking Nut, Thin, 1/2" B.S.F.	182	236/F182220	Oil Retaining Bush, Shoulder, 1 1/2" x 1 1/2" x 1 1/2" long	182	236/F182220	Oil Retaining Bush, Shoulder, 1 1/2" x 1 1/2" x 1 1/2" long
37	203/10L	Self-locking Nut, Thin, 1/2" B.S.F.	183	418V.238B	Slipping Clutch Body	183	418V.238B	Slipping Clutch Body
38	130/10	Plain Washer, 1/2" dia.	184	121/0136T	Key, Tapped, 1/2" square x 1 1/2" long	184	121/0136T	Key, Tapped, 1/2" square x 1 1/2" long
39	418X.115	End Cap	185	355/162	Retaining Ring, External, 1 1/2" dia.	185	355/162	Retaining Ring, External, 1 1/2" dia.
40	418X.114A	Bearing Housing	186	418X.233B	Plain Washer, 1/2" dia.	186	418X.233B	Plain Washer, 1/2" dia.
41	418X.113	Bearing Housing	187	130/10	Plain Washer, 1/2" dia.	187	130/10	Plain Washer, 1/2" dia.
42	418X.206	Spring Washer, 1/2" dia.	188	203/10L	Self-locking Nut, Thin, 1/2" B.S.F.	188	203/10L	Self-locking Nut, Thin, 1/2" B.S.F.
43	418X.112	Spacer	189	418X.198D	Plunger	189	418X.198D	Plunger
44	154/06	Spring Washer, 1/2" dia.	190	418X.246B	Clutch Spring	190	418X.246B	Clutch Spring
45	155/0620	Hexagon Socket Head Cap Screw, 1/4" B.S.F. x 1 1/2" long	191	418X.141A	Spring Retaining Plug	191	418X.141A	Spring Retaining Plug
46	326/0407	Tension Pin, 1/2" dia. x 1 1/2" long	192	359/250A	Retaining Ring, External, 1 1/2" dia.	192	359/250A	Retaining Ring, External, 1 1/2" dia.
47	258/25	Ball Journal, Light, 25 x 52 x 17 mm	193	418X.245	Compression Spring	193	418X.245	Compression Spring
48	355/137	Retaining Ring, External, 35 mm	194	418X.244	Plunger	194	418X.244	Plunger
49	418X.196	Mitre Gear, 22 Teeth	195	418X.208	Oil Nipple	195	418X.208	Oil Nipple
50	418X.137A	Lower Wormshaft	196	418X.158	Oil Bush	196	418X.158	Oil Bush
51	58.88	Bearing	197	203/10L	Self-locking Nut, Thin, 1/2" B.S.F.	197	203/10L	Self-locking Nut, Thin, 1/2" B.S.F.
52	154/06	Spring Washer, 1/2" dia.	198	257/20	Ball Journal, Medium, 20 x 52 x 15 mm	198	257/20	Ball Journal, Medium, 20 x 52 x 15 mm
53	155/0620	Hexagon Socket Head Cap Screw, 1/4" B.S.F. x 1 1/2" long	199	154/05	Spring Washer, 1/2" dia.	199	154/05	Spring Washer, 1/2" dia.
54	121/0816T	Key, Tapped, 1/2" square x 1 1/2" long	200	418X.205	Hexagon Socket Head Cap Screw, 1/4" B.S.F. x 1 1/2" long	200	418X.205	Hexagon Socket Head Cap Screw, 1/4" B.S.F. x 1 1/2" long
55	418X.200	Handwind Gear	201	155/0532	Spring Washer, 1/2" dia.	201	155/0532	Spring Washer, 1/2" dia.
56	165/206	Round Head See Screw, 2 B.A. x 1 1/2" long	202	418X.142	Spacer	202	418X.142	Spacer
57	418X.126	Oil Trough	203	418X.108	Roller Journal, Light, 25 x 52 x 15 mm	203	418X.108	Roller Journal, Light, 25 x 52 x 15 mm
58	418V.128	Upper Wormshaft	204	223/027	Retaining Ring, Internal, 52 mm	204	223/027	Retaining Ring, Internal, 52 mm
59	153/0520	Hexagon Socket Head Cap Screw, 1/4" B.S.F. x 1 1/2" long	205	356/706	Bearing Housing	205	356/706	Bearing Housing
60	154/05	Spring Washer, 1/2" dia.	206	418X.107	Spring Washer, 1/2" dia.	206	418X.107	Spring Washer, 1/2" dia.
61	203/08L	Self-locking Nut, Thin, 1/2" B.S.F.	207	154/03	Hexagon Socket Head Cap Screw, 1/4" B.S.F. x 1 1/2" long	207	154/03	Hexagon Socket Head Cap Screw, 1/4" B.S.F. x 1 1/2" long
62	130/08	Flat Washer, 1/2" dia.	208	155/0516	Spring Washer, 1/2" dia.	208	155/0516	Spring Washer, 1/2" dia.
63	418X.115	End Cap	209	155/0420	Hexagon Socket Head Cap Screw, 1/4" B.S.F. x 1 1/2" long	209	155/0420	Hexagon Socket Head Cap Screw, 1/4" B.S.F. x 1 1/2" long
64	418X.115	End Cap	210	155/0420	Hexagon Socket Head Cap Screw, 1/4" B.S.F. x 1 1/2" long	210	155/0420	Hexagon Socket Head Cap Screw, 1/4" B.S.F. x 1 1/2" long
65	121/0612T	Key, Tapped, 1/2" square x 1 1/2" long	211	155/0420	Hexagon Socket Head Cap Screw, 1/4" B.S.F. x 1 1/2" long	211	155/0420	Hexagon Socket Head Cap Screw, 1/4" B.S.F. x 1 1/2" long
66	418X.156	Clutch Member	212	355/78	Retaining Ring, External, 25 mm	212	355/78	Retaining Ring, External, 25 mm
67	203/10L	Self-locking Nut, Thin, 1/2" B.S.F.	213	259/25	Ball Journal, Light, 25 x 52 x 15 mm	213	259/25	Ball Journal, Light, 25 x 52 x 15 mm
68	130/10	Plain Washer, 1/2" dia.	214	154/04	Spring Washer, 1/2" dia.	214	154/04	Spring Washer, 1/2" dia.
69	257/206(W/C)	Ball Journal, with Circlip, 20 x 52 x 15 mm	215	155/0428	Hexagon Socket Head Cap Screw, 1/4" B.S.F. x 1 1/2" long	215	155/0428	Hexagon Socket Head Cap Screw, 1/4" B.S.F. x 1 1/2" long
70	355/78	Retaining Ring, External, 20 mm	216	418X.228	Feed Slip Gear Screw	216	418X.228	Feed Slip Gear Screw
71	418X.228	Bearing End Cap	217	418X.148	"C" Washer	217	418X.148	"C" Washer
72	155/0412	Hexagon Socket Head Cap Screw, 1/4" B.S.F. x 1 1/2" long	218	159/606	Countersunk Socket Screw, 6 B.A. x 1 1/2" long	218	159/606	Countersunk Socket Screw, 6 B.A. x 1 1/2" long
73	154/04	Spring Washer, 1/2" dia.	219	418X.229	Key for Pick-off Gears	219	418X.229	Key for Pick-off Gears

List of Parts for
PLATE No. 6
(Drawing No. 418ZIC)



WHEN ORDERING SPARE PARTS ALWAYS MAKE SURE

JIMRICKS F T O O A C H



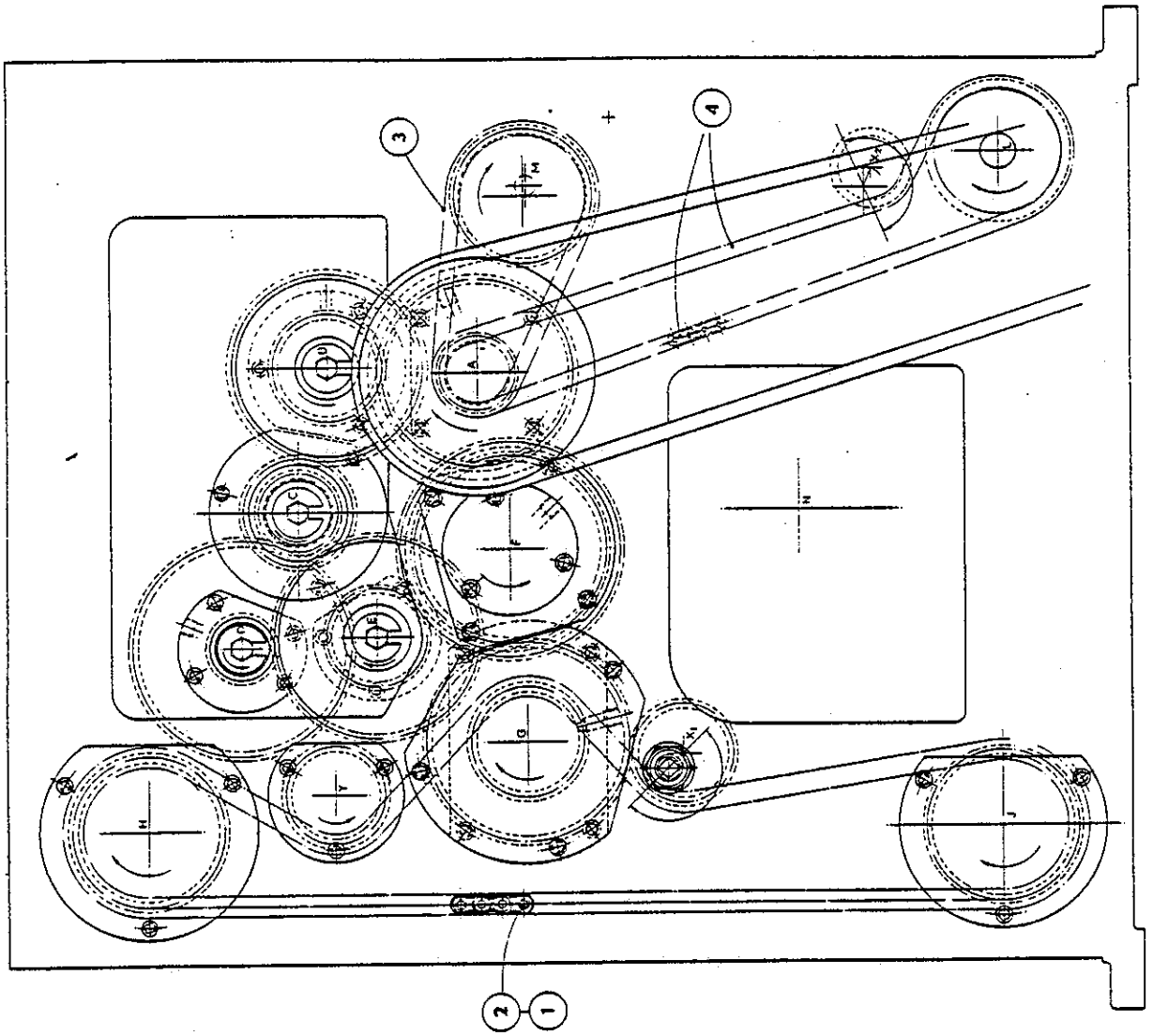
WICKMAN
MULTI-SPINDLE
AUTOMATICS

MAIN DRIVE HOUSING, MOTOR DRIVE END
 $\frac{3}{8}$ "—6, $\frac{3}{8}$ "—6S, $\frac{3}{8}$ "—6D MACHINES

INDEX NO.	PART NO.	TITLE
1	110046	Renold Chain, $\frac{1}{2}$ " pitch, .335" dia. Roller, 108 Pitches, B.S. Chain No. 7 (Standard Machine)
2	110046	Renold Chain, $\frac{1}{2}$ " pitch, .335" dia. Roller, 112 Pitches, B.S. Chain No. 7 (:77 seconds Fast Motion)
3	110038	Renold Chain, .375" pitch, .25" dia. Roller, 46 Pitches
4	114038	Renold Duplex Chain, .375" Pitch, .25" dia. Roller, 92 Pitches

List of Parts for
PLATE No. 7
(Drawing No. 418Z2)

WHEN ORDERING SPARE PARTS ALWAYS QUOTE THE SERIAL NUMBER OF THE MACHINE



**WICKMAN
MULTI-SPINDLE
AUTOMATICS**

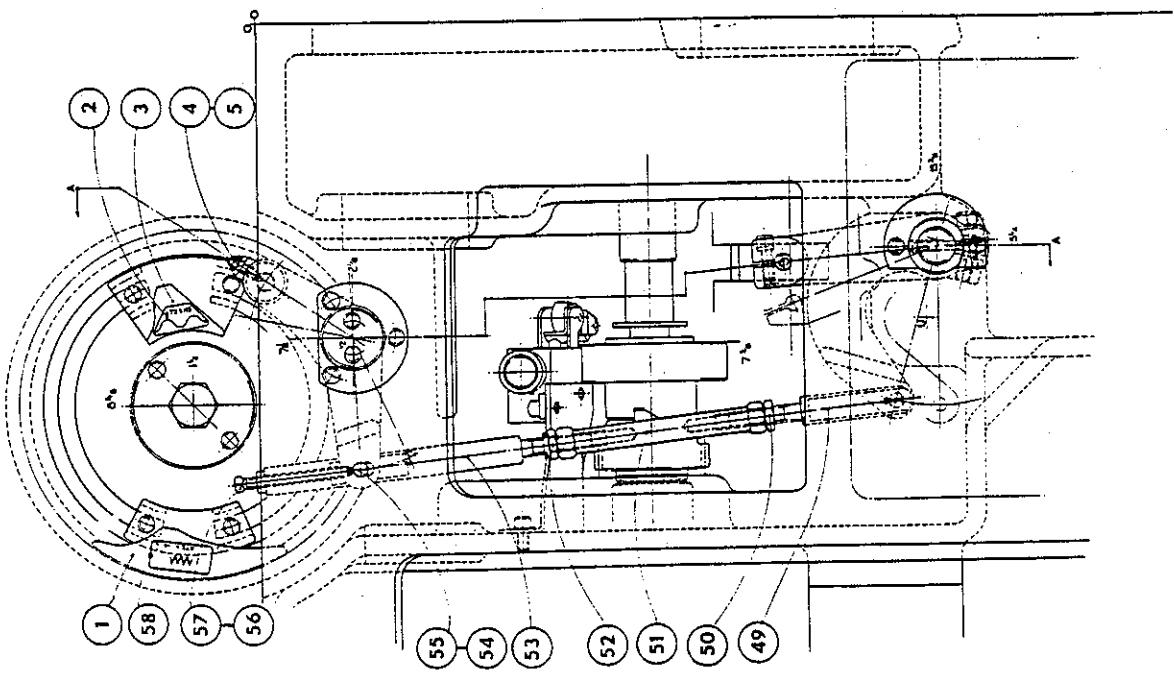
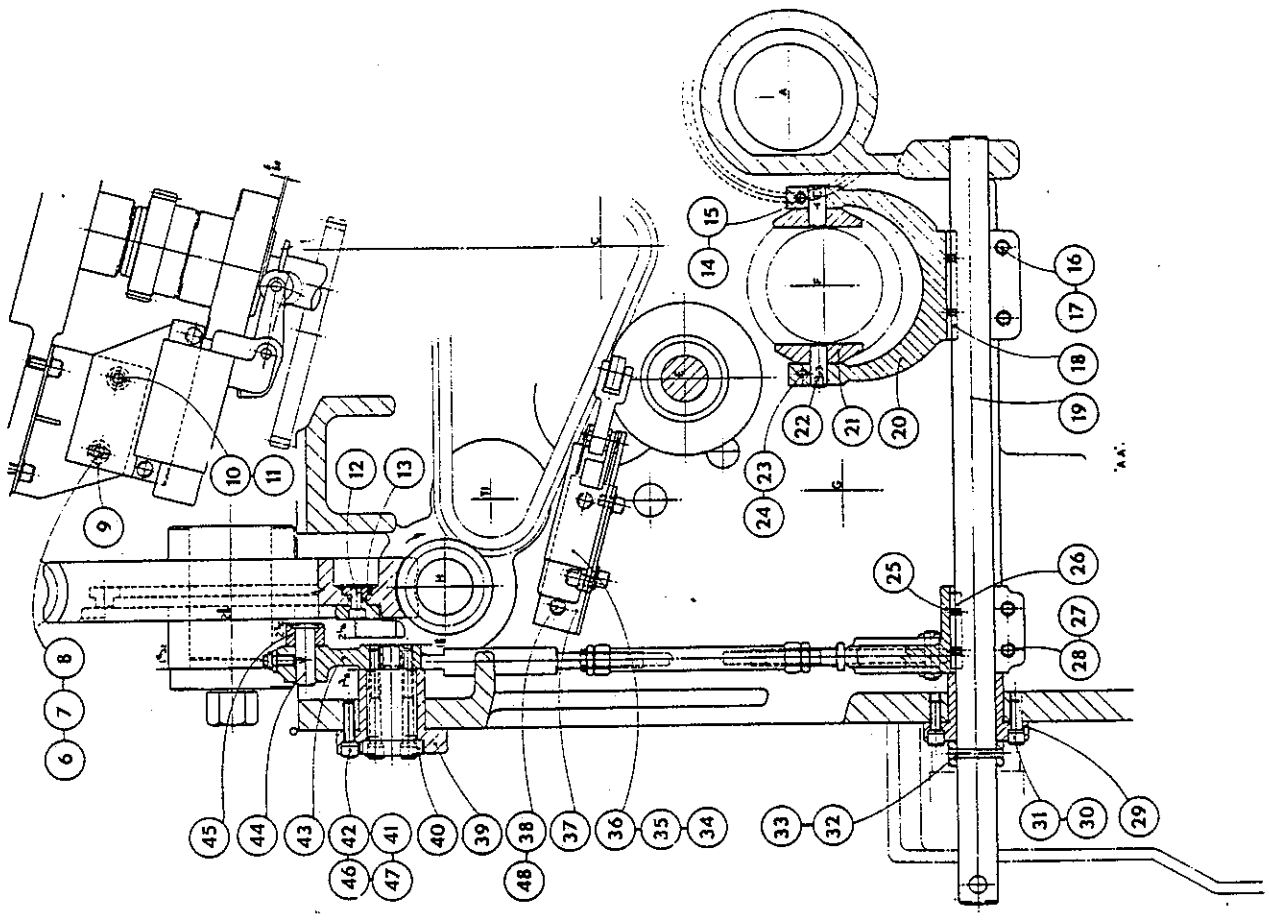
CONTROL SHAFTS

$\frac{3}{8}$ " - 6, $\frac{3}{8}$ " - 6S, $\frac{3}{8}$ " - 6D MACHINES

INDEX NO.	PART NO.	TITLE	INDEX NO.	PART NO.	TITLE
1	419X.131A	Feed Motion Cam	30	154/04	Spring Washer, $\frac{1}{2}$ " dia.
2	472X.115	Fast Motion Plate	31	155/0412	Socket Head Cap Screw, $\frac{1}{4}$ " B.S.F. x $\frac{3}{4}$ " long
3	419X.131	Fast Motion Cam	32	419X.118	Collar
4	182/0414	Socket Head Set Screw, Taper Point, $\frac{1}{2}$ " B.S.F. x $\frac{7}{8}$ " long	33	125/1620	Taper Pin, $\frac{1}{4}$ " dia. x $1\frac{1}{4}$ " long
5	203/04L	Self-locking Hexagon Nut, $\frac{1}{4}$ " B.S.F.	34	198/8	Shakeproof Lockwasher, $\frac{1}{4}$ " dia.
6	198/8	Shakeproof Lockwasher, $\frac{1}{4}$ " dia.	35	155/0406	Socket Head Cap Screw, $\frac{1}{4}$ " B.S.F. x $\frac{3}{8}$ " long
7	130/04	Flat Washer, $\frac{1}{4}$ " dia.	36	BZLN-2-LHBE-6-5ft	Honeywell Limit Switch, $\frac{3}{4}$ conduit
8	155/0406	Socket Head Cap Screw, $\frac{1}{4}$ " B.S.F. x $\frac{3}{4}$ " long	37	419X.137	Mounting Bracket
9	419X.138	Switch Plate	38	155/0408	Socket Head Cap Screw, $\frac{1}{4}$ " B.S.F. x $\frac{1}{2}$ " long
10	155/0406	Socket Head Cap Screw, $\frac{1}{4}$ " B.S.F. x $\frac{3}{8}$ " long	39	419X.123	Bearing Bush
11	198/8	Shakeproof Lockwasher, $\frac{1}{4}$ " dia.	40	419X.121	Pivot
12	155/0408	Socket Head Cap Screw, $\frac{1}{4}$ " B.S.F. x $\frac{1}{2}$ " long	41	155/0436	Socket Head Cap Screw, $\frac{1}{4}$ " B.S.F. x $2\frac{1}{4}$ " long
13	419X.122	Tee Nut	42	155/0416	Socket Head Cap Screw, $\frac{1}{4}$ " B.S.F. x 1 " long
14	154/04	Spring Washer, $\frac{1}{2}$ " dia.	43	419V.119	Lever
15	155/0412	Socket Head Cap Screw, $\frac{1}{4}$ " B.S.F. x $\frac{3}{4}$ " long	44	119X.133	Roller Pin
16	155/0516	Socket Head Cap Screw, $\frac{5}{16}$ " B.S.F. x 1 " long	45	119X.194	Roller
17	154/05	Spring Washer, $\frac{5}{16}$ " dia.	46	154/04	Spring Washer, $\frac{1}{2}$ " dia.
18	121/0840T	Parallel Key, Tapped, $\frac{1}{4}$ " square x $2\frac{1}{4}$ " long	47	154/04	Spring Washer, $\frac{1}{2}$ " dia.
19	419X.128	Fast Motion Glut Shaft	48	198/8	Shakeproof Lockwasher, $\frac{1}{4}$ " dia.
20	419V.126	Fast Motion Glut Lever	49	419X.133	Link End
21	419X.110	Glut	50	419X.135	Special Locknut
22	419X.127	Glut Pin	51	419X.132	Link
23	155/0414	Socket Head Cap Screw, $\frac{1}{4}$ " B.S.F. x $\frac{7}{8}$ " long	52	203/06L	Self-locking Hexagon Nut, $\frac{3}{8}$ " B.S.F.
24	154/04	Spring Washer, $\frac{1}{4}$ " dia.	53	419X.139	Link End
25	419V.125	Fast Motion Lever	54	327/0404	Cotter Pin, $1/16$ " dia. x $\frac{1}{2}$ " long
26	121/0828T	Parallel Key, Tapped	55	419X.134	Fork Pin
27	154/05	Spring Washer, $\frac{5}{16}$ " dia.	56	173/04	Hexagon Nut, $\frac{1}{4}$ " B.S.F.
28	155/0516	Socket Head Cap Screw, $\frac{5}{16}$ " B.S.F. x 1 " long	57	188/0440	Square Head Set Screw, $\frac{1}{4}$ " B.S.F. x $2\frac{1}{2}$ " long
29	419X.114	Bearing Bush	58	472X.114	Feed Plate

List of Parts for
PLATE No.8
(Drawing No.419Z1)

WHEN ORDERING SPARE PARTS ALWAYS QUOTE THE SERIAL NUMBER OF THE MACHINE



**WICKMAN
MULTI-SPINDLE
AUTOMATICS**

**CONTROL SHAFTS, HANDWIND
1/8"-6, 1/8"-6S, 1/8"-6D MACHINES**

INDEX NO.	PART NO.	TITLE
1	419X.106	Driven Dog
2	236/141612	"Oilite" Bush, 1/8" i. dia. x 1" o. dia. x 1/2" long } Assembly 419X.106
3	XCGIL	Steel Roller, 10 mm dia. x 10 mm long
4	219X.194	Spring Retainer
5	219X.193	Locating Spring
6	XVELC	Steel Ball, 1/8" dia.
7	419X.120A	Spacer
8	419X.113	Bearing Sleeve
9	155/0420	Socket Head Cap Screw, 1/8" B.S.F. x 1 1/4" long
10	154/04	Spring Washer, 1/8" dia.
11	419X.115	Spacer
12	356/185	Retaining Ring, Internal, 47 mm
13	419X.103	Idler Gear
14	LOJ-20K	Double Row Angular Contact Bearing, 20 mm bore x 47 mm o. dia. x 1 1/2" long
15	203/08	Self-locking Hexagon Nut, 1/8" B.S.F.
16	130/08	Flat Washer, 1/8" dia.
17	418X.241	Spacer
18	419X.104	Idler Gear Stud
19	419X.102	Handwind Gear
20	121/0816T	Parallel Key, Tapped, 1/8" square x 1" long
21	121/0816T	Parallel Key, Tapped, 1/8" square x 1" long
22	154/05	Spring Washer, 1/8" dia.
23	155/0516	Socket Head Cap Screw, 1/8" B.S.F. x 1" long
24	419V.112	One Way Clutch Housing } Assembly 419V.112
25	236/141816	"Oilite" Bush, 1/8" i. dia. x 1 1/2" o. dia. x 1" long
26	125/1624	Taper Pin, 1/8" dia. x 1 1/2" long
27	419X.105	Driving Dog
28	182/0510	Socket Head Set Screw, Taper Point, 1/8" B.S.F. x 1" long
29	125/1624	Taper Pin, 1/8" dia. x 1 1/2" long
30	419X.107	Collar
31	125/1624	Taper Pin, 1/8" dia. x 1 1/2" long
32	419X.108	Driving Sleeve
33	419X.11A	Handwind Shaft
34	419V.109	Handwind Crank
35	519X.204	Revolving Handle
36	182/0520	Socket Head Set Screw, Taper Point, 1/8" B.S.F. x 1 1/2" long
37	203/05	Self-locking Hexagon Nut, 1/8" B.S.F.

List of Parts for
PLATE No. 9
(Drawing No. 419ZZA)

WHEN ORDERING SPARE PARTS ALWAYS QUOTE THE SERIAL NUMBER OF THE MACHINE

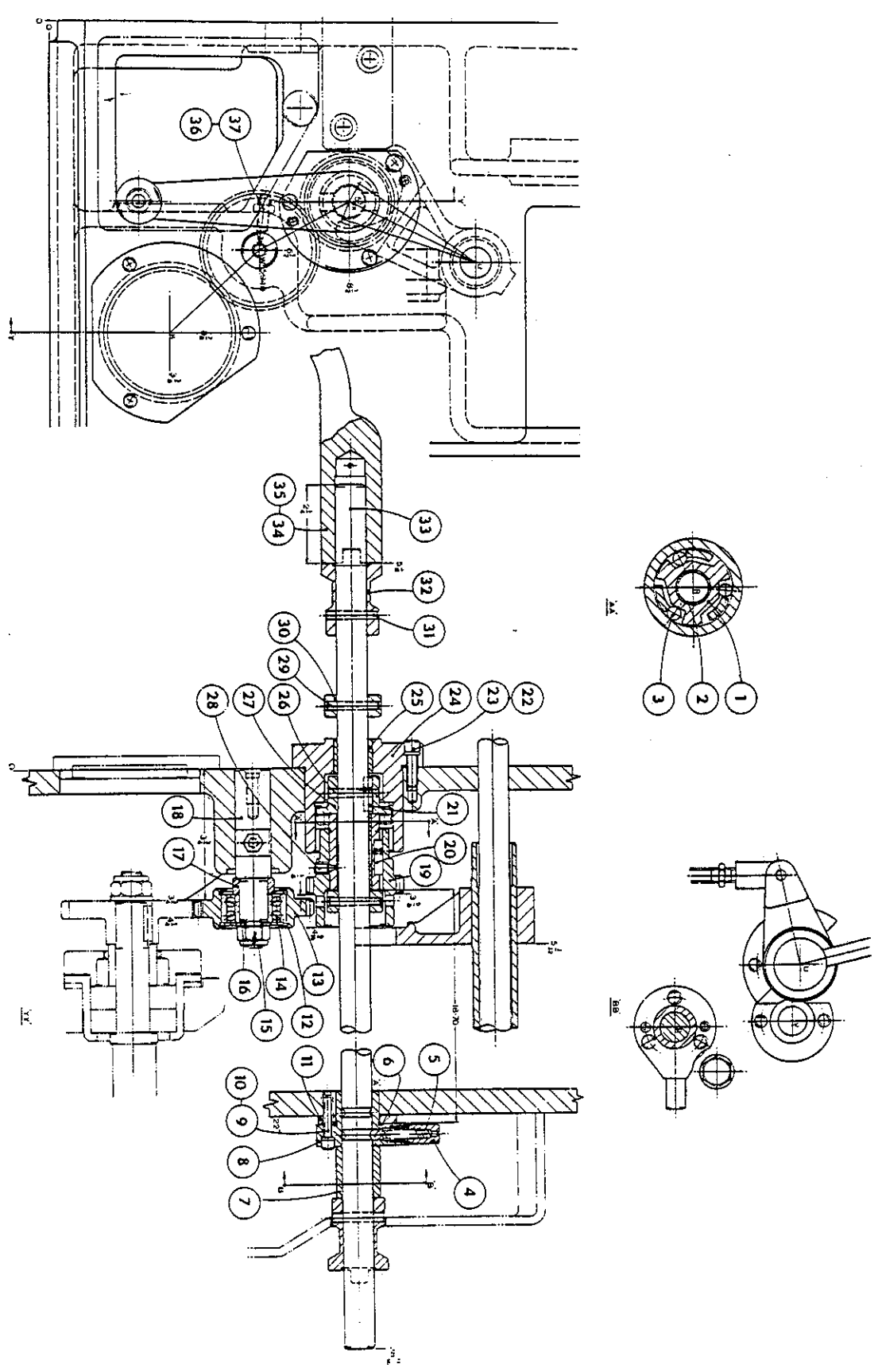
WICKMAN MULTI-SPINDLE AUTOMATICS

AUTOMATIC STOP #—6, #—6S, #—6D MACHINES

INDEX NO.	PART NO.	TITLE	INDEX NO.	PART NO.	TITLE	INDEX NO.	PART NO.	TITLE
1	420X.145	Feed Brake Lever	30	420X.137	Pin	60	420X.116	Trip Latch
2	241/9	Bakelite Knob, Black, 1 $\frac{1}{4}$ " dia., $\frac{3}{8}$ " B.S.F.	31	327/0404	Split Pin, $\frac{1}{8}$ " dia. X $\frac{3}{8}$ " long	61	155/0614	Hexagon Socket Set Screw, $\frac{3}{8}$ " B.S.F. X $\frac{1}{2}$ " long
3	XN.2414	Honeywell Limit Switch	32	420V.103	Detent Lever	62	130/06	Flat Washer, $\frac{3}{8}$ " dia.
4	198/8	Shakeproof Washer, $\frac{3}{8}$ " dia.	33	471V.137/1	Decco Solenoid, Type 51-11, 50 Cycles, 110 Volts	63	154/06	Spring Washer, $\frac{3}{8}$ " dia.
5	155/0410	Hexagon Socket Cap Screw, $\frac{1}{2}$ " B.S.F. X $\frac{1}{2}$ " long	34	155/0572	Hexagon Socket Set Screw, $\frac{1}{8}$ " B.S.F. X $\frac{1}{2}$ " long	64	155/0616	Hexagon Socket Set Screw, $\frac{3}{8}$ " B.S.F. X 1" long
6	420X.114A	Interlock Lever	35	198/8	Shakeproof Washer, $\frac{1}{2}$ " dia.	65	420X.140	Gasket
7	182/0520	Socket Set Screw, Taper Point, $\frac{1}{8}$ " B.S.F. X $\frac{1}{2}$ " long	36	167/0408	Hexagon Head Set Screw, $\frac{1}{2}$ " B.S.F. X $\frac{1}{2}$ " long	66	508X.209	Spring Anchor
8	203/05L	Self-locking Nut, $\frac{1}{8}$ " B.S.F.	37	420X.139	Base Plate	67	146/317	Tension Spring, $\frac{3}{8}$ " X 2" long
9	154/04	Spring Washer, $\frac{1}{2}$ " dia.	38	420V.102	Solenoid Bracket	68	420X.122	Pivot Stud
10	155/0416	Hexagon Socket Cap Screw, $\frac{1}{2}$ " B.S.F. X 1" long	39	420X.123	Brake Operating Spring, Inner	69	203/04L	Self-locking Nut, $\frac{1}{2}$ " B.S.F.
11	419X.127	Glut Pin	40	420X.124	Brake Operating Spring, Outer	70	182/0416	Socket Set Screw, Taper Point, $\frac{1}{2}$ " B.S.F. X 1" long
12	420X.144A	Glut (Feed)	41	420X.141	Latch Sleeve	71	123X.172	Adjusting Washer
13	420V.111	Brake Glut Lever	42	326/1020	Tension Pin, $\frac{1}{8}$ " dia. X $\frac{1}{2}$ " long	72	420X.117	Retaining Plate
14	420V.112A	Glut Lever Sleeve	43	236/161812	Oil Retaining Bronze Bush, 1" X $1\frac{1}{8}$ " X $\frac{1}{2}$ " long	73	155/0412	Hexagon Socket Set Screw, $\frac{1}{2}$ " B.S.F. X $\frac{1}{2}$ " long
15	420X.143	Auto Stop Cover Gasket	44	518X.221	Freewheel Plunger	74	154/04	Spring Washer, $\frac{1}{2}$ " dia.
16	236/141620	Oil Retaining Bronze Bush, $\frac{3}{8}$ " X 1" X $1\frac{1}{2}$ " long	45	420X.110	Spring for Handwind Stop	75	121/0832	Key, $\frac{1}{2}$ " square X $\frac{1}{2}$ " long
17	420Y.128A	Auto Stop Cover	46	420X.142A	Handwind Stop	76	155/0516	Hexagon Socket Set Screw, $\frac{1}{8}$ " B.S.F. X 1" long
18	154/05	Spring Washer, $\frac{3}{8}$ " dia.	47	420X.121A	End Pivot	77	154/05	Spring Washer, $\frac{1}{8}$ " dia.
19	155/0556	Hexagon Socket Cap Screw, $\frac{1}{8}$ " B.S.F. X $\frac{3}{4}$ " long	48	420X.129	Adjusting Screw	78	236/141620	Oil Retaining Bronze Bush, $\frac{3}{8}$ " X 1" X $1\frac{1}{2}$ " long
20	121/0820	Key, $\frac{1}{2}$ " square X $\frac{1}{2}$ " long	49	420X.138A	Link End	79	420X.147	Brake Lever Shaft
21	420X.145	Feed Brake Lever	50	420X.136	Lock Nut, Left Hand, $\frac{1}{2}$ " B.S.F.	80	182/0408	Socket Set Screw, Taper Point, $\frac{1}{2}$ " B.S.F. X $\frac{1}{2}$ " long
22	241/9	Bakelite Knob, Black, 1 $\frac{1}{4}$ " dia., $\frac{3}{8}$ " B.S.F.	51	420X.146	Pin	81	182/0410	Socket Set Screw, Taper Point, $\frac{1}{2}$ " B.S.F. X $\frac{1}{2}$ " long
23	173/05L	Hexagon Locknut, $\frac{1}{8}$ " B.S.F.	52	327/0404	Split Pin, $\frac{1}{8}$ " dia. X $\frac{3}{8}$ " long	82	420X.120	Lever Boss
24	130/05	Flat Washer, $\frac{1}{8}$ " dia.	53	420X.101	Spring Lever	83	121/0820	Key, $\frac{1}{2}$ " square X $\frac{1}{2}$ " long
25	420X.119	Solenoid Spring	54	182/0410	Socket Set Screw, Taper Point, $\frac{1}{2}$ " B.S.F. X $\frac{1}{2}$ " long	84	420X.115	Switch Plate
26	130/05	Flat Washer, $\frac{1}{8}$ " dia.	55	420X.113	Lever Boss	85	167/0416	Hexagon Head Set Screw, $\frac{1}{2}$ " B.S.F. X 1" long
27	420X.127	Spring Abutment	56	173/06L	Hexagon Locknut, $\frac{3}{8}$ " B.S.F.	86	173/04	Hexagon Nut, $\frac{1}{2}$ " B.S.F.
28	173/05L	Hexagon Locknut, $\frac{1}{8}$ " B.S.F.	57	420/146	Pin			
29	420X.109	Spring Rod	58	327/0404	Split Pin, $\frac{1}{8}$ " dia. X $\frac{1}{2}$ " long			
			59	125/1218	Taper Pin, $\frac{3}{8}$ " dia. X $1\frac{1}{2}$ " long			

List of Parts for
PLATE No. 10
(Drawing No. 420Z1)

WHEN ORDERING SPARE PARTS ALWAYS QUOTE THE SERIAL NUMBER OF THE MACHINE



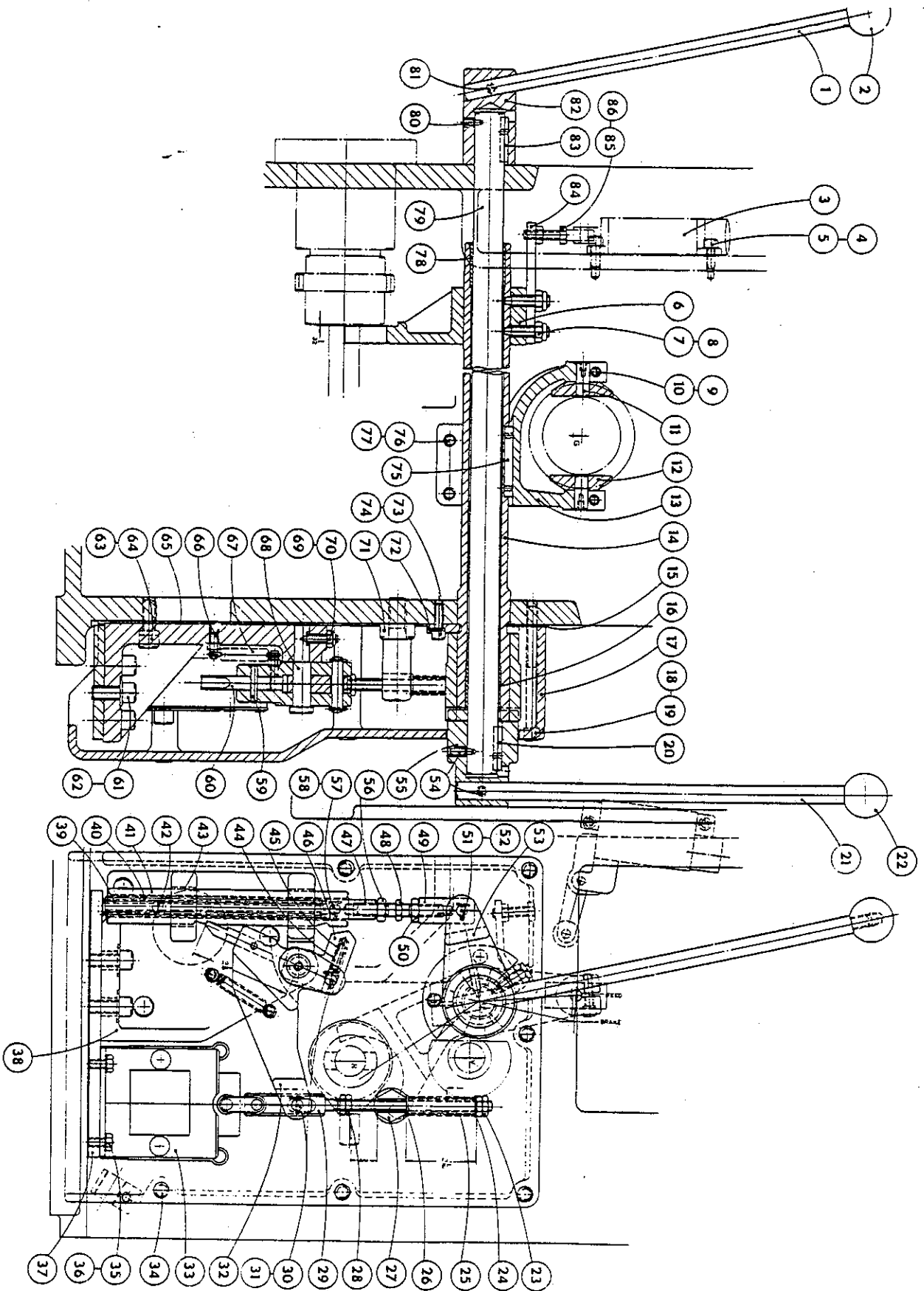
WICKMAN
MULTI-SPINDLE
AUTOMATICS

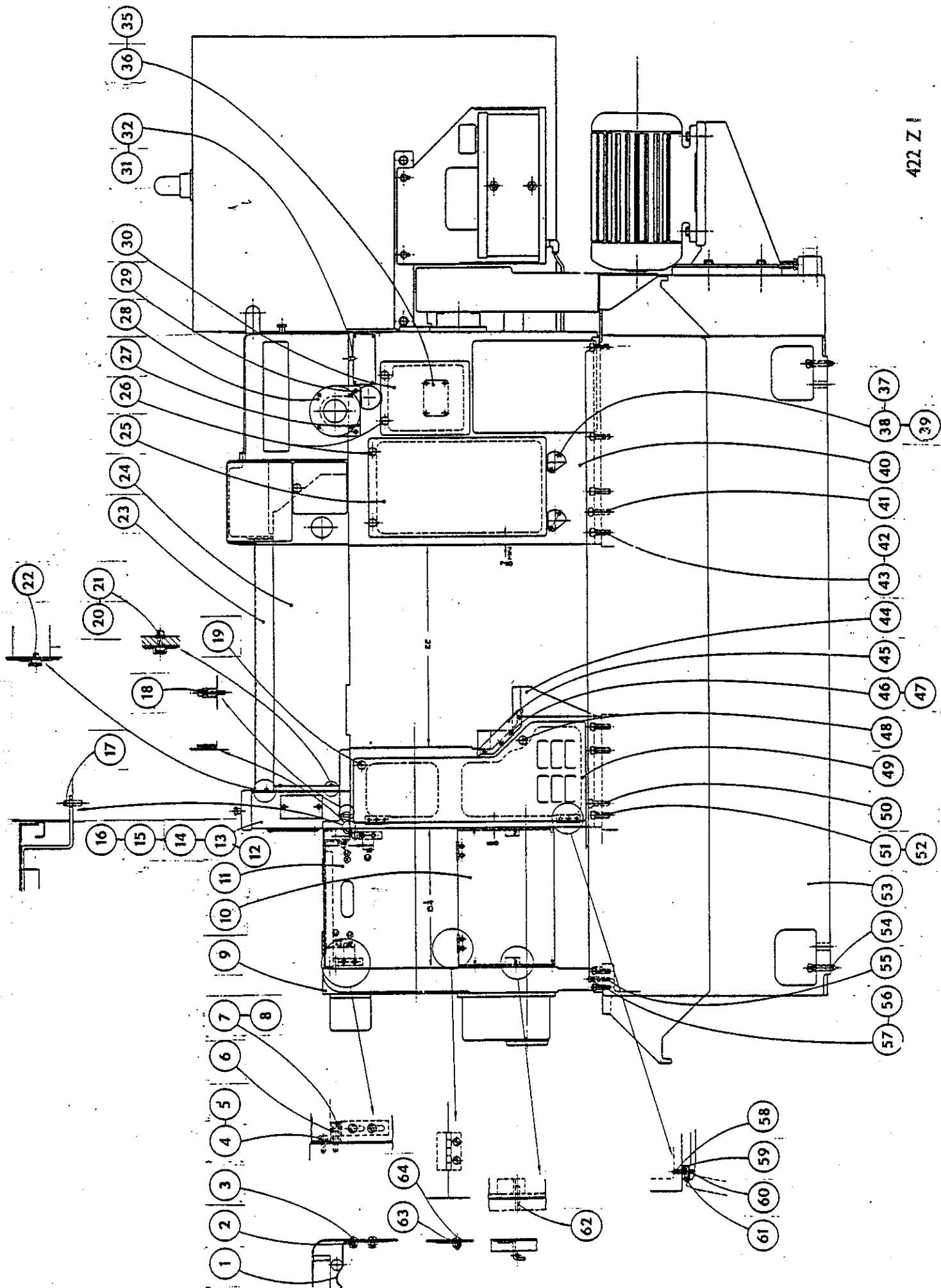
COVER, FRONT
3/8" - 6, 3/4" - 6S, 3/4" - 6D MACHINES

INDEX NO.	PART NO.	TITLE	INDEX NO.	PART NO.	TITLE
1	422X.116	Spring Catch	33	372X.119C	Patent Plate
2	203/04	Self-locking Hexagon Nut, 1/4" B.S.F.	34	165/406	Round Head Set Screw, 4 B.A. x 3/8" long
3	164/0406	Round Head Set Screw, 1/4" B.S.F.	35	165/404	Round Head Set Screw, 4 B.A. x 1/4" long
4	167/0412	Hexagon Head Set Screw, 1/4" B.S.F.	36	-	Herbert Church Instruction Plate
5	130/04	Washer, 1/2" dia.	37	155/0412	Socket Head Cap Screw, 1/4" B.S.F.
6	122X.204	Latch Post	38	422X.128	Retaining Cap
7	155/0420	Socket Head Cap Screw, 1/4" B.S.F.	39	154/04	Spring Washer, 1/2" dia.
8	154/04	Spring Washer, 1/4" dia.	40	4222.105	Main Drive Housing
9	4222.102	End Bracket	41	139/15	Taper Dowel
10	422Y.171	Fixed Lower Bar Feed Cover	42	154/08	Spring Washer, 1/2" dia.
11	422Y.166	Hinged Bar Feed Cover	43	155/0828	Socket Head Cap Screw, 1/4" B.S.F.
12	155/0410	Socket Head Cap Screw, 1/4" B.S.F.	44	4222.1018	Drum Housing
13	4222.174A	Drum Housing Top Cover	45	422X.1438	Swarf Channel
14	-	Neoprene Strip, 1/8" x 9/16" x 9 1/2" long	46	156/216	Socket Head Cap Screw, 2 B.A. x 1" long
16	422X.130A	Keep Screw	47	154/03	Spring Washer, 3/16" dia.
17	326/1016	Tension Pin, 5/16" dia.	48	422X.130A	Keep Screw
18	422X.140	Retaining Screw	49	4222.137A	Drum Housing Door, Front
19	422X.130A	Keep Screw	50	139/15	Taper Dowel
20	130/04	Washer, 1/2" dia.	51	155/0828	Socket Head Cap Screw, 1/4" B.S.F.
21	422X.141	Screw	52	154/08	Spring Washer, 1/2" dia.
22	155/0408	Socket Head Cap Screw, 1/4" B.S.F.	53	422Y.144	Tray
23	422V.1458	Beam Cover	54	188/1040	Square Head Socket Set Screw, 1/4" B.S.F.
24	422Z.104A	Beam	55	139/14	Taper Dowel
25	422V.107	Attachment Cover, Front	56	154/07	Spring Washer, 7/16" dia.
26	422X.130A	Keep Screw	57	155/0724	Socket Head Cap Screw, 7/16" B.S.F.
27	422X.135	Back Plate	58	159/212	Countersunk Socket Screw, 2 B.A.
28	472X.157A	Programme Disc, Front	59	422X.132A	Hinge Packing Piece
29	158/0410	Countersunk Socket Screw, 1/4" B.S.F.	60	159/206	Countersunk Socket Screw, 2 B.A.
30	422V.1158	Front Drive Cover	61	422X.139	Brass Butt Hinge
31	422X.126	Filling Piece	62	326/0820	Tension Pin, 1/4" dia.
32	158/0410	Countersunk Socket Screw, 1/4" B.S.F.	63	203/04	Self-locking Hexagon Nut, 1/4" B.S.F.
			64	160/0408	Dome Head Socket Screw, 5/16" B.S.F. x 1/2" long

List of Parts for
PLATE No. 11
(Drawing No. 42221)

WHEN ORDERING SPARE PARTS ALWAYS QUOTE THE SERIAL NUMBER OF THE MACHINE





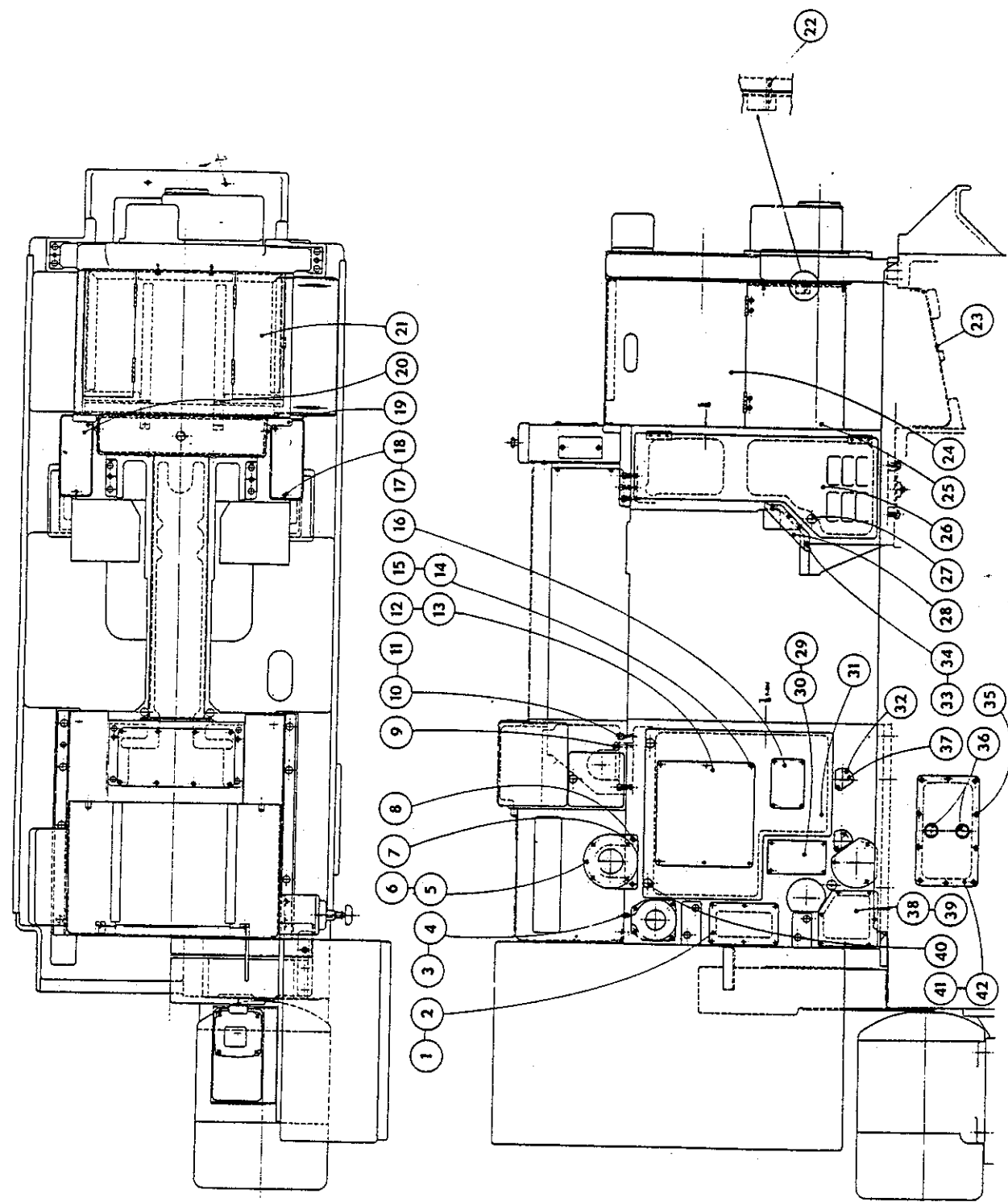
WICKMAN
MULTI-SPINDLE
AUTOMATICS

COVER, PLAN AND REAR VIEWS
¾" - 6, ¾" - 6S, ¾" - 6D MACHINES

INDEX NO.	PART NO.	TITLE	INDEX NO.	PART NO.	TITLE
1	160/208	Dome Head Socket Screw, 2 B.A. x ½" long	22	143/0820D	Mills Grooved Pin, ¼" dia. x 1½" long
2	422X.136	Lubrication Pump Sprocket Cover	23	422X.179	Sump Cover
3	158/0410	Countersunk Socket Screw, ¼" B.S.F.	24	422V.166	Hinged Bar Feed Cover
4	422X.126	Filling Piece	25	422V.171	Fixed Lower Bar Feed Cover
5	472X.159A	Programme Disc, Rear	26	422Z.138A	Drum Housing Door, Rear
6	159/404	Countersunk Socket Screw, 4 B.A. x ¼" long	27	422X.130A	Keep Screw
7	422X.135	Back Plate	28	422X.143B	Swarf Channel
8	158/0410	Countersunk Socket Screw, ¼" B.S.F.	29	165/406	Round Head Set Screw, 4 B.A. x ¾" long
9	139/15	Taper Dowel	30	230/49	Machine Identification Plate
10	155/0720	Socket Head Cap Screw, 7/16" B.S.F.	31	422V.106	Attachment Cover, Rear
11	154/07	Spring Washer, 7/16" dia.	32	155/0412	Socket Head Cap Screw, ¼" B.S.F.
12	472Y.104	Speed and Feed Plate (F.M. 0.64 secs.)	33	154/03	Spring Washer, 3/16" dia.
13	472Y.103A	Speed and Feed Plate (F.M. 0.77 secs.)	34	156/216	Socket Head Cap Screw, 2 B.A. x 1" long
14	203/2	Self-locking Hexagon Nut, 2 B.A.	35	156/0516	Socket Head Cap Screw, 6/16" B.S.F.
15	160/206	Dome Head Socket Screw, 2 B.A. x ¾" long	36	250/20NE	Oil Level Window
16	472X.112	Oiling Plate	37	422X.128	Retaining Cap
17	154/04	Spring Washer, ¼" dia.	38	160/208	Dome Head Socket Screw, 2 B.A. x ½" long
18	155/0412	Socket Head Cap Screw, ¼" B.S.F.	39	422X.125B	Pump Drive Cover
19	422Y.157	Tool Tray, Rear	40	422X.130A	Keep Screw
20	422Y.156	Tool Tray, Front	41	422V.152	Oil Sump Cover
21	422Z.164A	Upper Bar Feed Cover	42	422V.153	Oil Sump Gasket

List of Parts for
PLATE No.12
(Drawing No.422Z2)

WHEN ORDERING SPARE PARTS ALWAYS QUOTE THE SERIAL NUMBER OF THE MACHINE

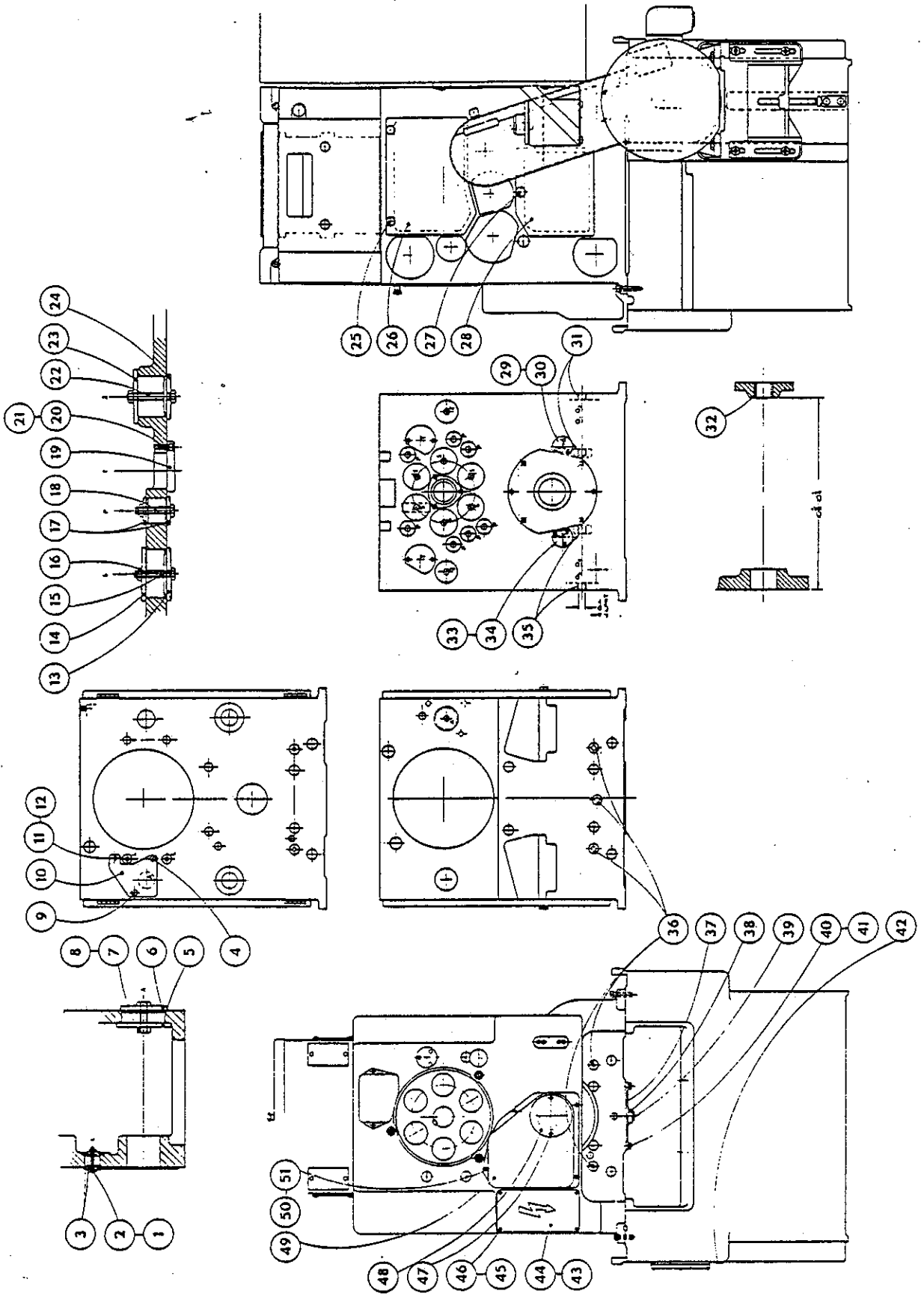


**WICKMAN
MULTI-SPINDLE
AUTOMATICS**
COVER, END VIEWS
 $\frac{3}{8}$ "—6, $\frac{3}{8}$ "—6S, $\frac{3}{8}$ "—6D MACHINES

INDEX NO.	PART NO.	TITLE	INDEX NO.	PART NO.	TITLE
1	203/04		27	422X.130A	Keep Screw
2	167/0420	Self-locking Hexagon Nut, $\frac{1}{4}$ " B.S.F.	28	422V.108	Camshaft End Cover
3	422X.168	Hexagon Head Set Screw, $\frac{1}{4}$ " B.S.F.	29	160/0508	Dome Head Socket Screw, $\frac{1}{8}$ " B.S.F. X $\frac{1}{2}$ " long
4	155/0508	Guide Bar Bore Cover	30	422X.177	Cover Plate
5	422X.161	Socket Head Cap Screw, $\frac{3}{8}$ " B.S.F.	31	236/121412	Oil Retaining Bush, $\frac{3}{8}$ " X $\frac{1}{8}$ " X $\frac{3}{4}$ " long
6	422X.163	Clamp Strip	32	236/121614	Oil Retaining Bush, $\frac{3}{8}$ " X 1 " X $\frac{1}{4}$ " long
7	203/06	Part-off Slide Bore Cover	33	160/0508	Dome Head Socket Screw, $\frac{1}{8}$ " B.S.F. X $\frac{1}{2}$ " long
8	167/0624	Self-locking Hexagon Nut, $\frac{3}{8}$ " B.S.F.	34	422X.177	Cover Plate
9	167/0808	Hexagon Head Set Screw, $\frac{3}{8}$ " B.S.F.	35	236/121412	Oil Retaining Bush, $\frac{3}{8}$ " X $\frac{1}{8}$ " X $\frac{3}{4}$ " long
10	422V.180	Hexagon Head Set Screw, $\frac{1}{4}$ " B.S.F. X $\frac{1}{2}$ " long	36	422X.129	Plug
11	155/0520	Socket Head Cap Screw, $\frac{3}{8}$ " B.S.F.	37	9222/116	Bottom Cover Gasket
12	173/05	Hexagon Nut, $\frac{3}{8}$ " B.S.F.	38	9222X.115	Bottom Cover
13	422X.167	Attachment Bore Cover	39	194/6	Pipe Plug, $\frac{3}{8}$ " B.S.P.
14	422X.161	Clamp Strip	40	167/0616	Hexagon Head Set Screw, $\frac{3}{8}$ " B.S.F.
15	167/0632	Hexagon Head Set Screw, $\frac{3}{8}$ " B.S.F.	41	198/13	Lockwasher, Internal, $\frac{1}{8}$ " dia.
16	203/06	Self-locking Hexagon Nut, $\frac{3}{8}$ " B.S.F.	42	194/6	Pipe Plug, $\frac{3}{8}$ " B.S.P.
17	422X.169	Bore Cover	43	422X.159	Terminal Cover Gasket
18	167/0632	Hexagon Head Set Screw, $\frac{3}{8}$ " B.S.F.	44	422V.158	Terminal Cover
19	422X.170	Chasing Bore Cover	45	154/04	Spring Washer, $\frac{1}{4}$ " dia.
20	155/0408	Socket Head Cap Screw, $\frac{1}{4}$ " B.S.F.	46	155/0412	Socket Head Cap Screw, $\frac{1}{4}$ " B.S.F.
21	154/04	Spring Washer, $\frac{1}{4}$ " dia.	47	155/0412	Socket Head Cap Screw, $\frac{1}{4}$ " B.S.F.
22	167/0640	Hexagon Head Set Screw, $\frac{1}{4}$ " B.S.F.	48	422X.172	Camshaft Cover Plate
23	422X.161	Clamp Strip	49	422Y.134	Cover
24	422X.165	Bore Cover	50	155/0410	Socket Head Cap Screw, $\frac{1}{4}$ " B.S.F. X $\frac{1}{2}$ " long
25	422X.130A	Keep Screw	51	154/04	Spring Washer, $\frac{1}{4}$ " dia.
26	422V.118	Change Gears Cover			

List of Parts for
PLATE No. 13
(Drawing No. 422Z3)

WHEN ORDERING SPARE PARTS ALWAYS QUOTE THE SERIAL NUMBER OF THE MACHINE



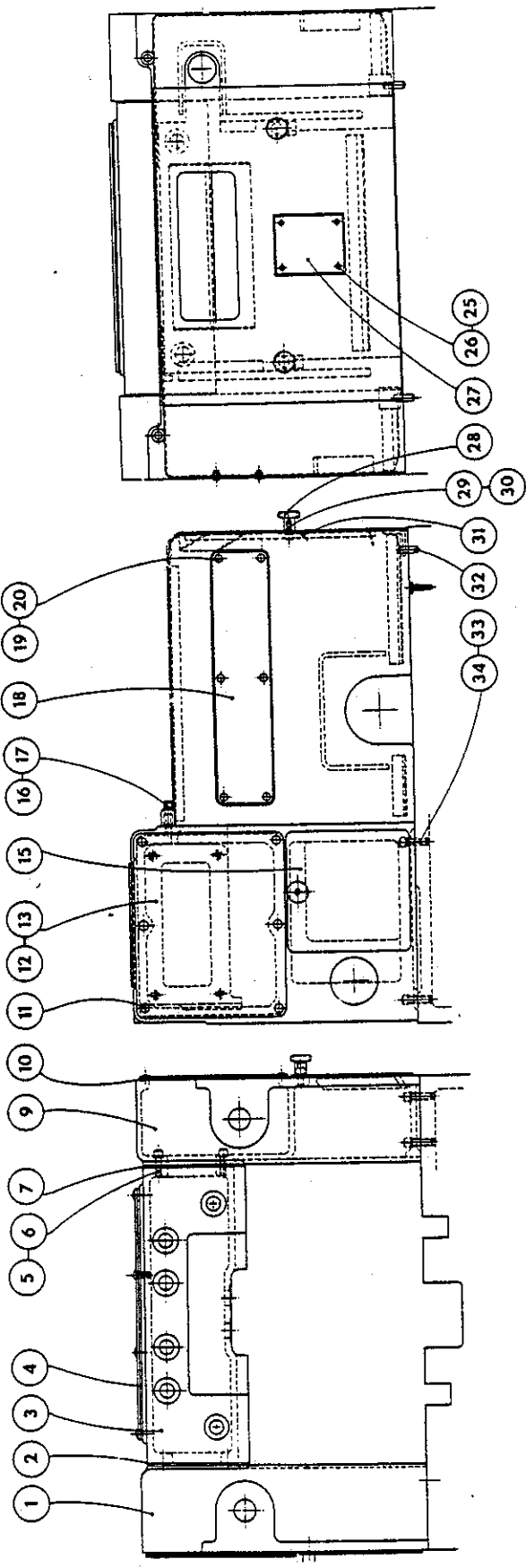
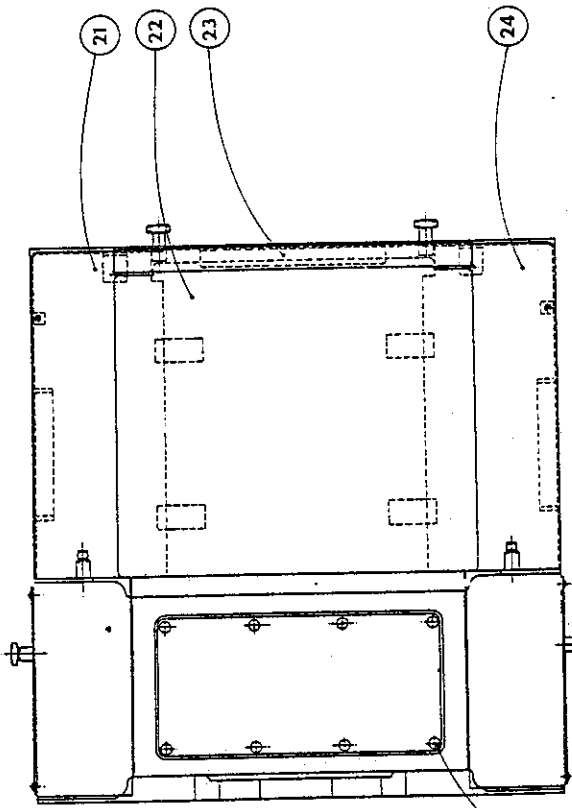
**WICKMAN
MULTI-SPINDLE
AUTOMATICS**

**COVERS, UPPER MOTION
 $\frac{3}{8}$ "—6, $\frac{3}{8}$ "—6S, $\frac{3}{8}$ "—6D MACHINES**

INDEX NO.	PART NO.	TITLE
1	422Y.110A	Pushbutton Box, Rear
2	422X.120A	Gasket
3	422Y.117A	Pushbutton Connecting Box
4	422Y.119	Top Cover
5	154/05	Spring Washer, $\frac{3}{8}$ " dia.
6	155/0516	Socket Head Cap Screw, $\frac{3}{8}$ " B.S.F.
7	422X.120A	Gasket
8	160/0408	Dome Head Socket Screw, $\frac{3}{4}$ " B.S.F.
9	422Y.109A	Pushbutton Box, Front
10	471V.104	Gasket
11	160/0410	Dome Head Socket Screw, $\frac{3}{4}$ " B.S.F. X $\frac{1}{2}$ " long
12	471V.102A	Control Panel, Rear
13	471V.101A	Control Panel, Front
14	422X.130A	Keep Screw
15	422Y.114A	Upper Motion Cover
16	154/05	Spring Washer, $\frac{3}{8}$ " dia.
17	422X.140	Retaining Screw
18	422Y.160	Name Plate
19	160/206	Round Head Set Screw, 2 B.A.
20	203/2	Self-locking Hexagon Nut, 2 B.A.
21	422Y.195	Side Cover, Rear
22	422Y.193A	Top Slitting Cover
23	422V.147A	End Cover
24	422V.194	Side Cover, Front
25	203/4	Self-locking Hexagon Nut, $\frac{1}{2}$ " B.S.F.
26	165/406	Round Head Set Screw, 4 B.A. X $\frac{3}{8}$ " long
27	372X.123	Greasing Plate
28	422X.131	Knob for End Cover
29	155/0408	Socket Head Cap Screw, $\frac{1}{2}$ " B.S.F.
30	154/04	Spring Washer, $\frac{1}{2}$ " dia.
31	422X.148	Mounting Bracket
32	326/1016	Tension Pin, $\frac{3}{8}$ " dia.
33	155/0516	Socket Head Cap Screw, $\frac{3}{8}$ " B.S.F.
34	154/05	Spring Washer, $\frac{3}{8}$ " dia.

List of Parts for
PLATE No. 14
(Drawing No. 422Z4)

WHEN ORDERING SPARE PARTS ALWAYS QUOTE THE SERIAL NUMBER OF THE MACHINE



**WICKMAN
MULTI-SPINDLE
AUTOMATICS**

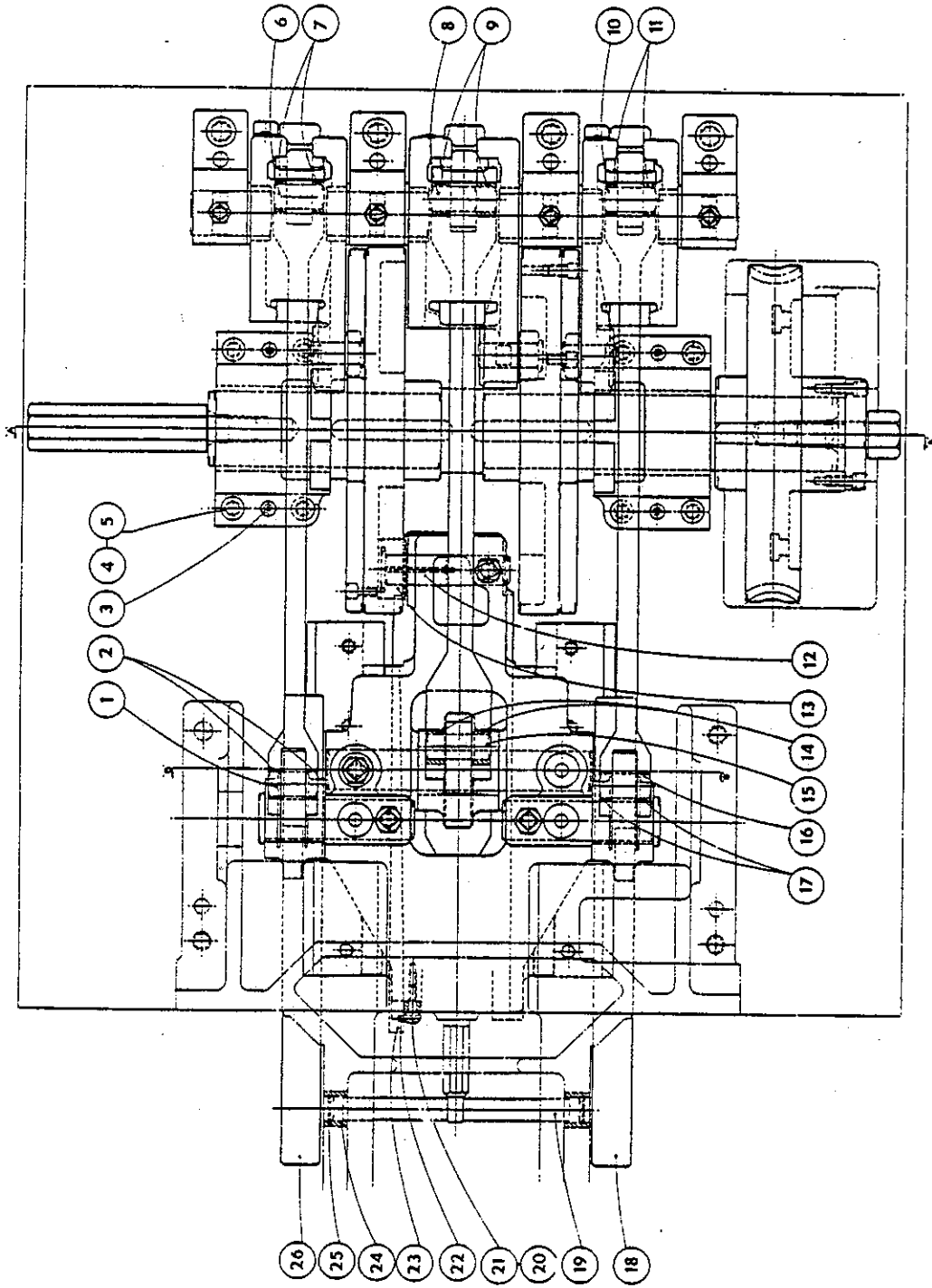
CENTRE BLOCK AND LONGITUDINAL SLIDES

$\frac{3}{8}$ "—6, $\frac{3}{8}$ "—6S, $\frac{3}{8}$ "—6D MACHINES

INDEX NO.	PART NO.	TITLE
1	424X.109	Link Pin
2	236/101205	Oil Retaining Bush, $\frac{3}{8}$ " \times $\frac{3}{4}$ " \times $\frac{1}{16}$ " long
3	141/4	Taper Pin, Tapped, $\frac{1}{16}$ " dia. \times $1\frac{1}{2}$ " long
4	155/0624	Socket Head Cap Screw, $\frac{3}{8}$ " dia. \times $1\frac{1}{2}$ " long
5	154/06	Spring Washer, $\frac{3}{8}$ " dia.
6	424X.109	Link Pin
7	236/101205	Oil Retaining Bush, $\frac{3}{8}$ " \times $\frac{3}{4}$ " \times $\frac{1}{16}$ " long
8	423X.114	Link Pin
9	423X.115	Link Bush
10	424X.109	Link Pin
11	236/101205	Oil Retaining Bush, $\frac{3}{8}$ " \times $\frac{3}{4}$ " \times $\frac{1}{16}$ " long
12	423X.136	Roller Pin
13	141X.121	Roller
14	423X.115	Link Bush
15	423X.114	Link Pin
16	424X.109	Link Pin
17	236/101205	Oil Retaining Bush, $\frac{3}{8}$ " \times $\frac{3}{4}$ " \times $\frac{1}{16}$ " long
18	424X.112A	Pusher Arm
19	423X.169	Stop Shaft
20	154/03	Spring Washer, $\frac{1}{8}$ " dia.
21	156/212	Socket Head Cap Screw, 2 B.A. \times $\frac{3}{4}$ " long
22	423X.164	Gib Strip Anchor
23	423X.163	Sliding Block Gib Strip
24	423X.177	Stop Shaft Bush
25	356/62	Retaining Ring, Internal, $\frac{3}{8}$ " dia.
26	424V.112A	Pusher Arm

List of Parts for
PLATE No. 15
(Drawing No. 423Z1)

WHEN ORDERING SPARE PARTS ALWAYS QUOTE THE SERIAL NUMBER OF THE MACHINE

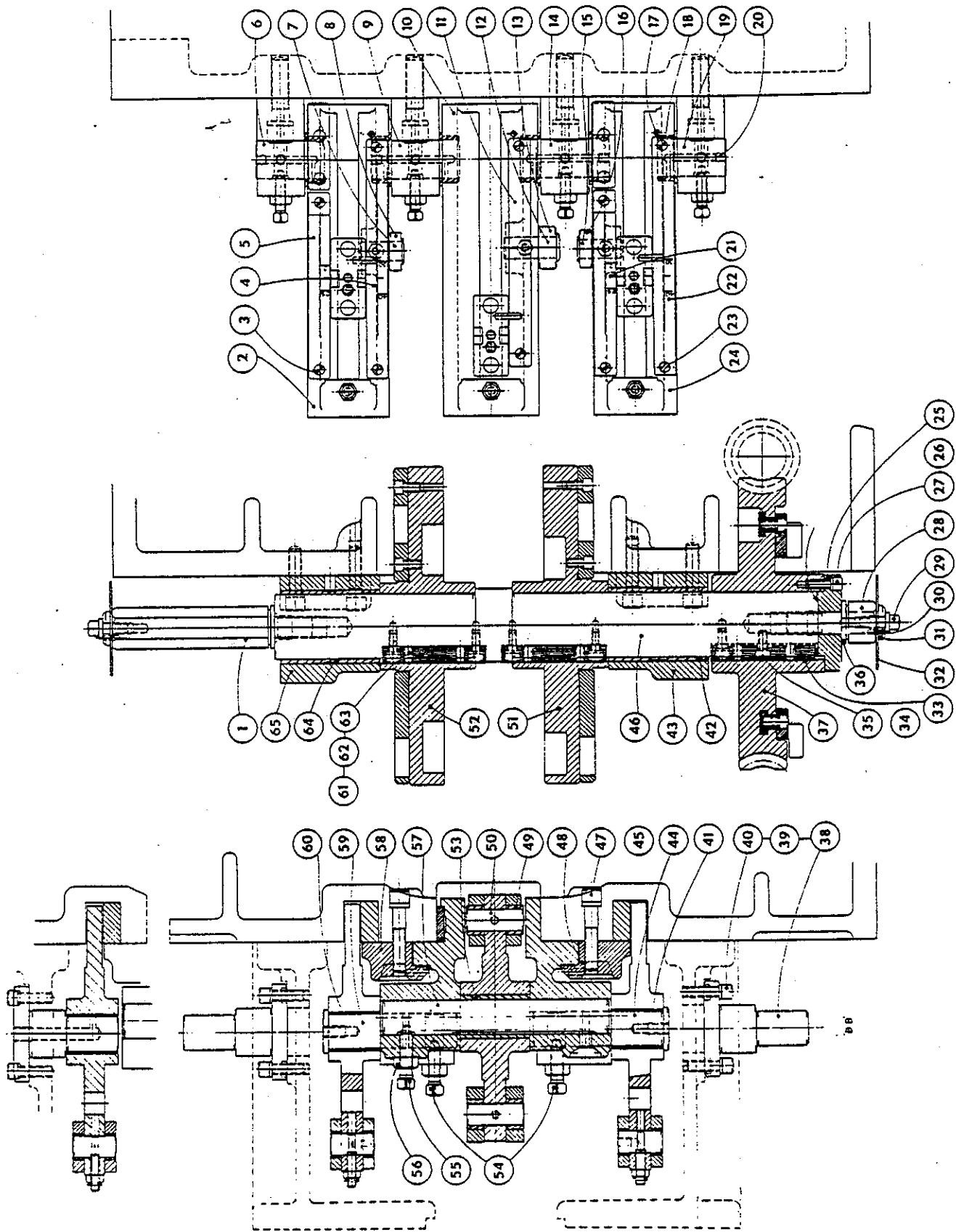


**WICKMAN
MULTI-SPINDLE
AUTOMATICS**
LONGITUDINAL MOTIONS, CAMSHAFT AND PIVOTS
 $\frac{1}{8}$ "—6, $\frac{1}{8}$ "—6S, $\frac{1}{8}$ "—6D MACHINES

INDEX NO.	PART NO.	TITLE	INDEX NO.	PART NO.	TITLE
1	423X.128	Rear Clamp Pillar	34	155/0410	Socket Head Cap Screw, $\frac{1}{8}$ " B.S.F. X $\frac{1}{8}$ " long
2	425Y.101	Rear Cam Lever	35	154/04	Spring Washer, $\frac{1}{8}$ " dia.
3	165/206	Round Head Screw, 2 B.A. X $\frac{1}{8}$ " long	36	130/10	Flat Washer, $\frac{1}{8}$ " dia.
4	424X.102B	Scale	37	418Y.125	Upper Wormwheel
5	424X.103B	Scale	38	424X.152	Pivot for Side Lever
6	423X.109	Fulcrum Pin	39	154/05	Spring Washer, $\frac{1}{8}$ " dia.
7	424X.116	Roller	40	155/0516	Socket Head Cap Screw, $\frac{1}{8}$ " B.S.F. X $\frac{1}{8}$ " long
8	424X.117	Roller	41	236/161824	Oil Retaining Bush, $1" \times 1\frac{1}{8}" \times 1\frac{1}{8}"$ long
9	424X.106	Fulcrum Pin	42	423X.126	Camshaft Bearing
10	423Y.102	Centre Cam Lever	43	423Y.130A	Camshaft Bracket
11	423X.105	Scale	44	424X.120	Pin for Side Lever
12	423X.103	Roller Pin	45	154/06	Spring Washer, $\frac{1}{8}$ " dia.
13	423X.104	Roller	46	423Y.124A	Upper Camshaft
14	424X.106	Fulcrum Pin	47	155/0632	Socket Head Cap Screw, $\frac{1}{8}$ " B.S.F. X $2"$ long
15	424X.116	Roller Pin	48	423Y.150	Retaining Strip
16	424X.117	Roller	49	423X.115	Link Bush
17	143/0612/D	Grooved Pin (Mills GP.4), $\frac{1}{8}$ " dia. X $\frac{1}{8}$ " long	50	423X.114	Link Pin
18	423X.110	Quadrant Bush	51	423Y.152B	Centre Block Feed Cam
19	423X.109	Fulcrum Pin	52	423Y.153C	Fast Motion Cam
20	176/0404	Socket Set Screw, $\frac{1}{8}$ " B.S.F. X $\frac{1}{8}$ " long	53	236/162032	Oil Retaining Bush, $1" \times 1\frac{1}{8}" \times 2"$ long
21	424X.103B	Scale	54	183/0620	Square Head Screw, Taper Point, $\frac{1}{8}$ " B.S.F. X $\frac{1}{8}"$ long
22	424X.102B	Scale	55	183/0624	Square Head Screw, Taper Point, $\frac{1}{8}$ " B.S.F. X $\frac{1}{8}"$ long
23	165/206	Round Head Screw, 2 B.A. X $\frac{1}{8}$ " long	56	173/06	Hexagon Nut, $\frac{1}{8}"$ B.S.F.
24	424Y.101	Front Cam Lever	57	423X.123	Shaft
25	423X.129	Clamp Plate	58	423Y.150	Retaining Strip
26	154/04	Spring Washer, $\frac{1}{8}$ " dia.	59	424X.120	Pin for Side Lever
27	155/0412	Socket Head Cap Screw, $\frac{1}{8}$ " B.S.F. X $\frac{1}{8}"$ long	60	236/161824	Oil Retaining Bush, $1" \times 1\frac{1}{8}" \times 1\frac{1}{8}"$ long
28	423X.127	Front Clamp Pillar	61	154/04	Spring Washer, $\frac{1}{8}"$ dia.
29	195/0512	Clamping Collar, Collar Head Screw, $\frac{1}{8}"$ B.S.F. X $\frac{1}{8}"$ long	62	155/0410	Socket Head Cap Screw, $\frac{1}"$ B.S.F. X $\frac{1}"$ long
30	326/0406	Tension Pin, $\frac{1}"$ dia. X $\frac{1}"$ long	63	423X.179	Key
31	372X.160	Clamp Plate	64	423X.126	Camshaft Bearing
32	372X.158A	Indicator Plate	65	423Y.130A	Camshaft Bracket
33	423X.178	Key			

List of Parts for
PLATE No. 16
(Drawing No. 423Z2)

WHEN ORDERING SPARE PARTS ALWAYS QUOTE THE SERIAL NUMBER OF THE MACHINE



AA

BB

**WICKMAN
MULTI-SPINDLE
AUTOMATICS**

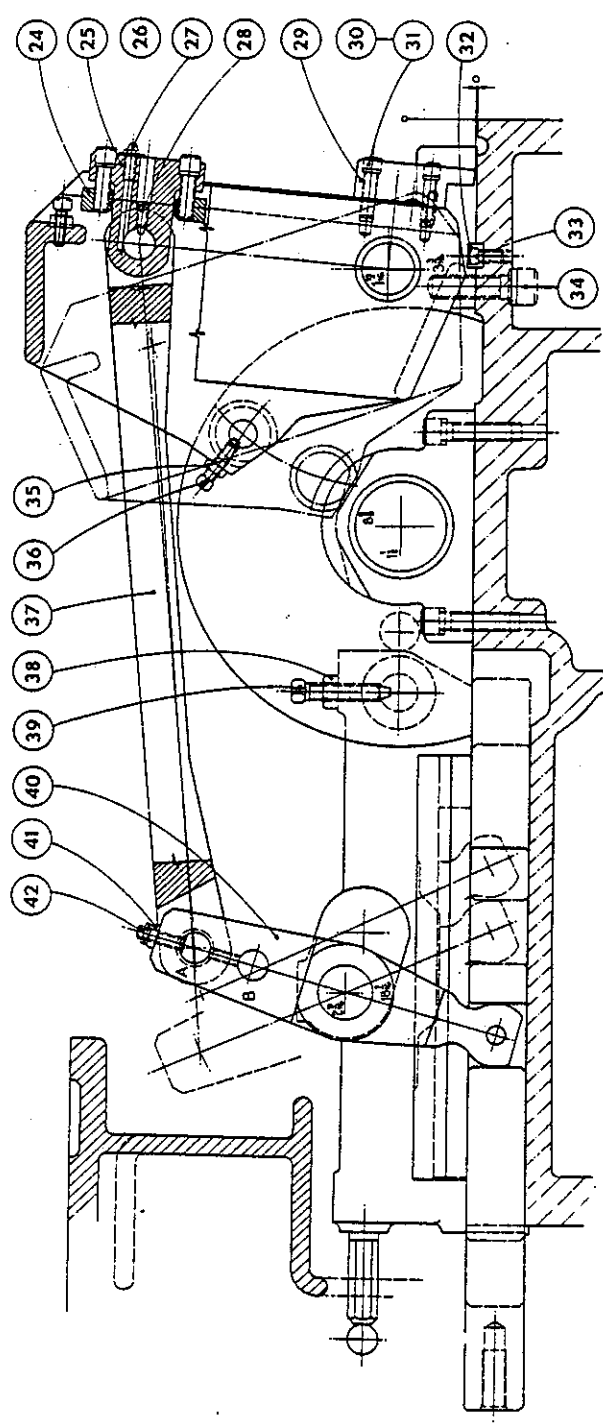
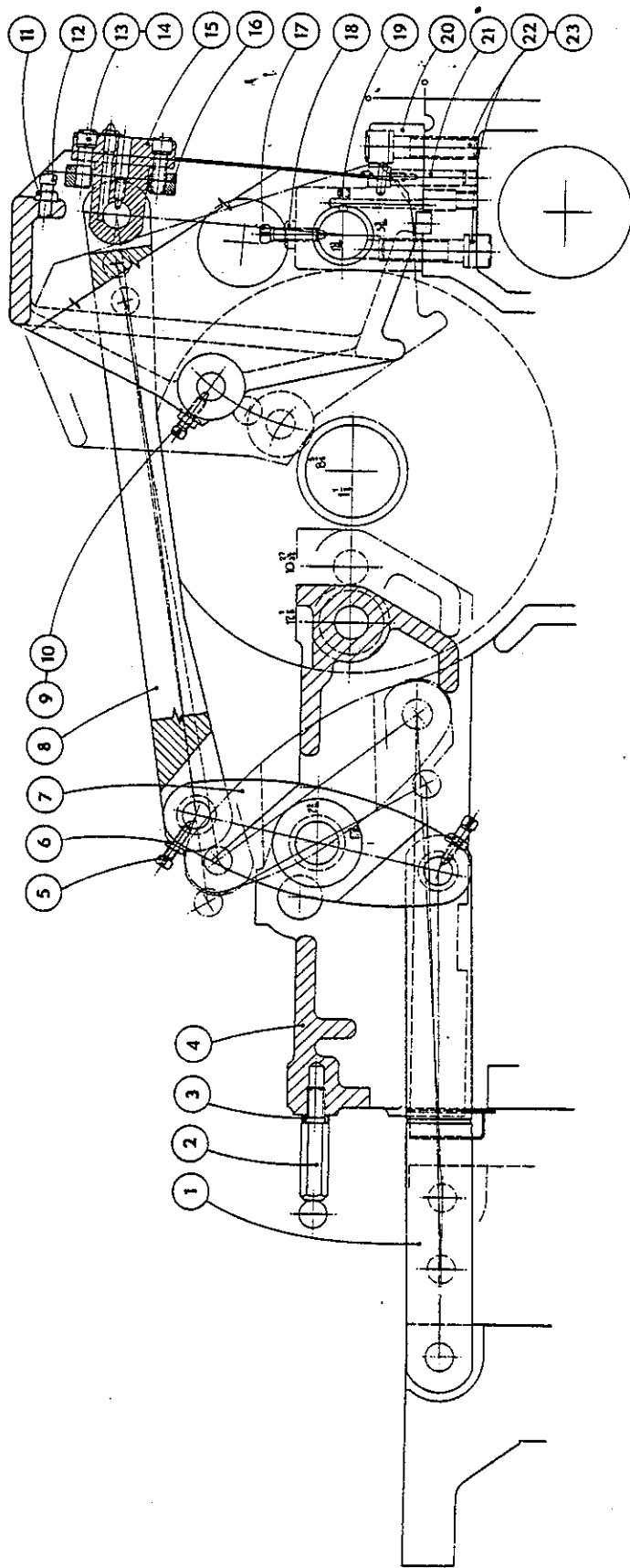
CENTRE BLOCK AND LONGITUDINAL SLIDES, OPERATION

$\frac{3}{8}$ "—6, $\frac{3}{8}$ "—6S, $\frac{3}{8}$ "—6D MACHINES

INDEX NO.	PART NO.	TITLE	INDEX NO.	PART NO.	TITLE
1	423V.120	Link, Centre Block	23	154/08	Spring Washer, $\frac{3}{8}$ " dia.
2	423X.176	Stop Bolt	24	423X.113	Clamp
3	394X.143	Spacer	25	423X.111	Stroke Setting Block
4	423Z.101	Sliding Block	26	210/1725	Indicator Washer
5	183/0416	Square Head Screw, Taper Point, $\frac{1}{4}$ " B.S.F. X $\frac{1}{4}$ " long	27	212/04	Grease Nipple, $\frac{1}{8}$ " B.S.F.
6	173/04	Hexagon Nut, $\frac{1}{4}$ " B.S.F.	28	182/0410	Set Screw, Taper Point, $\frac{1}{8}$ " B.S.F. X $\frac{3}{8}$ " long
7	423V.122	Centre Lever	29	424X.130	Stop
8	423Y.116A	Link for Centre Cam Lever	30	155/0416	Socket Head Cap Screw, $\frac{1}{4}$ " B.S.F. X $1\frac{1}{2}$ " long
9	173/04	Hexagon Nut, $\frac{1}{4}$ " B.S.F.	31	154/04	Spring Washer, $\frac{3}{8}$ " dia.
10	183/0416	Square Head Screw, Taper Point, $\frac{1}{4}$ " B.S.F.	32	423X.108	Fulcrum Bracket Tenon
11	173/04	Hexagon Nut, $\frac{1}{4}$ " B.S.F.	33	155/0408	Socket Head Cap Screw, $\frac{1}{4}$ " B.S.F. X $\frac{1}{2}$ " long
12	155/0412	Socket Head Cap Screw, $\frac{1}{4}$ " B.S.F. X $\frac{1}{2}$ " long	34	155/0828	Socket Head Cap Screw, $\frac{1}{4}$ " B.S.F. X $1\frac{1}{4}$ " long
13	155/0516	Socket Head Cap Screw, $\frac{3}{8}$ " B.S.F. X $1\frac{1}{2}$ " long	35	173/04	Hexagon Nut, $\frac{1}{4}$ " B.S.F.
14	154/05	Spring Washer, $\frac{3}{8}$ " dia.	36	183/0416	Square Head Screw, Taper Point, $\frac{1}{4}$ " B.S.F. X $1\frac{1}{2}$ " long
15	423X.111	Stroke Setting Block	37	424Y.105A	Link for Side Cam Levers
16	423X.113	Clamp	38	173/06	Hexagon Nut, $\frac{3}{8}$ " B.S.F.
17	183/0520	Square Head Screw, $\frac{3}{8}$ " B.S.F. X $1\frac{1}{4}$ " long	39	183/0628	Square Head Screw, Taper Point, $\frac{3}{8}$ " B.S.F. X $1\frac{1}{4}$ " long
18	173/05	Hexagon Nut, $\frac{3}{8}$ " B.S.F.	40	424Y.119	Side Lever
19	176/0404	Socket Set Screw, $\frac{1}{8}$ " B.S.F. X $\frac{1}{4}$ " long	41	203/04	Self-locking Hexagon Nut, $\frac{1}{4}$ " B.S.F.
20	423V.106	Fulcrum Bracket	42	176/0416	Socket Set Screw, $\frac{1}{4}$ " B.S.F. X $1\frac{1}{2}$ " long
21	141/4	Taper Pin, Tapped, $\frac{3}{16}$ " dia. X $1\frac{1}{2}$ " long			
22	155/0832	Socket Head Cap Screw, $\frac{1}{4}$ " B.S.F. X $2\frac{1}{2}$ " long			

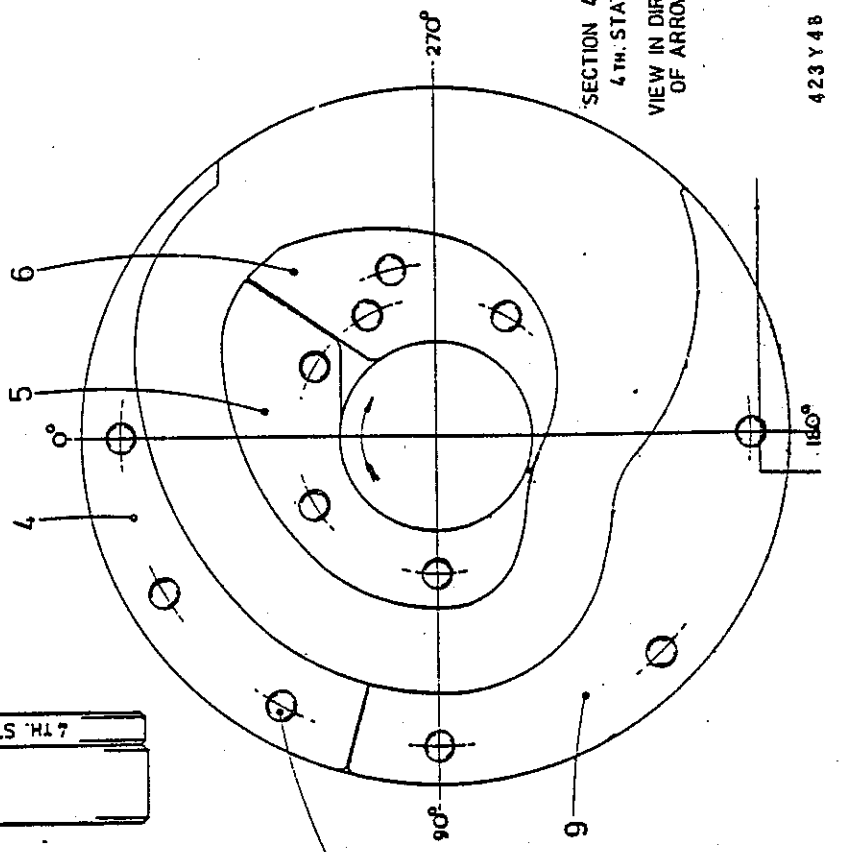
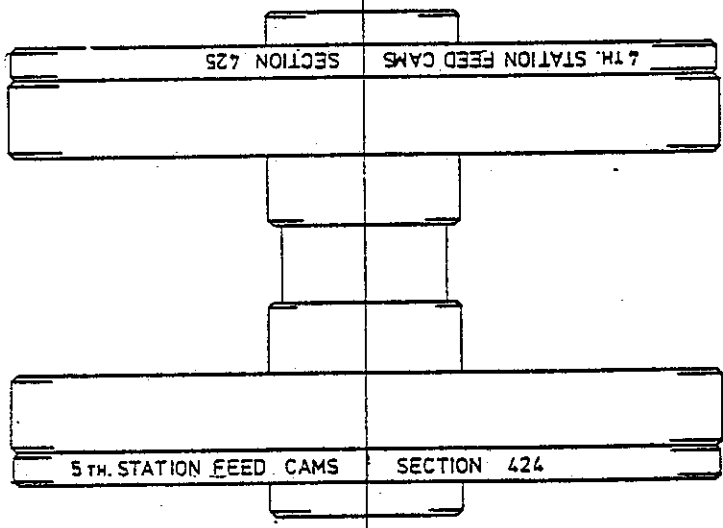
List of Parts for
PLATE No. 17
(Drawing No. 423Z3)

WHEN ORDERING SPARE PARTS ALWAYS QUOTE THE SERIAL NUMBER OF THE MACHINE

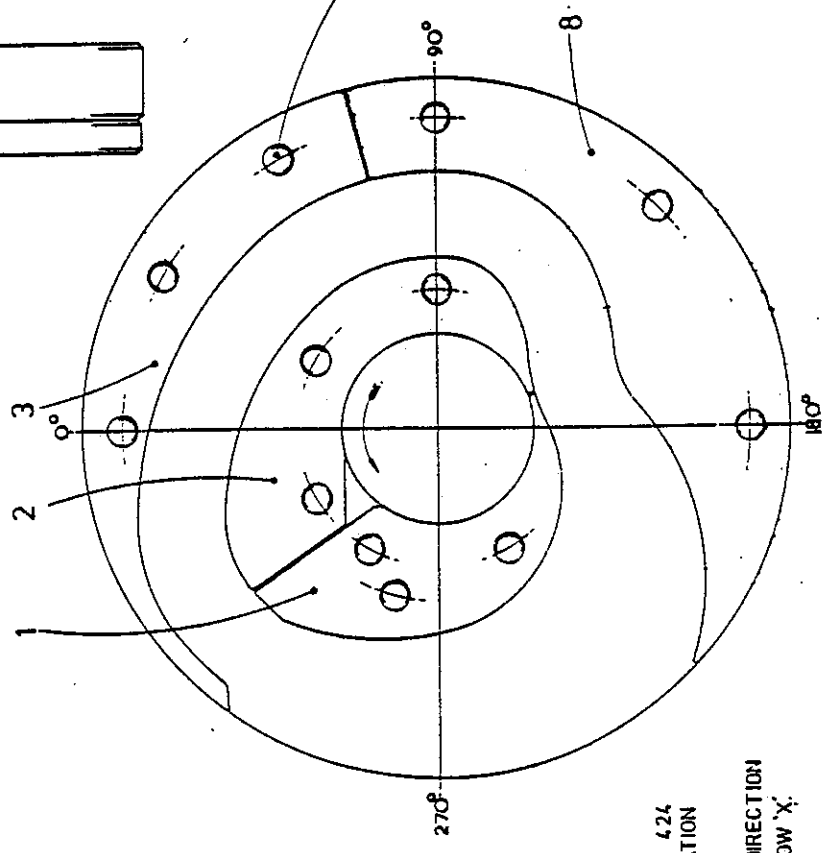


FEED CAMS FOR LONGITUDINAL SLIDES - 423 Y 4B

- | | | |
|----|--------------|---|
| 1. | 424 V 122B | FEED CAM 5TH STATION |
| 2. | 424 V 123C | INNER GUARD CAM |
| 3. | 424 X 125B | OUTER RETURN CAM 5TH STATION |
| 4. | 425 X 106B | OUTER RETURN CAM 4TH STATION |
| 5. | 425 V 105C | INNER GUARD CAM |
| 6. | 425 V 104B | FEED CAM 4TH STATION |
| 7. | WSP.155/0408 | SOCKET HEAD CAP SCREW 1/4" BSF X
1/2" LONG |
| 8. | 424 V 124C | OUTER RETURN CAM 5TH STATION |
| 9. | 425 V 107C | OUTER RETURN CAM 4TH STATION |



SECTION 425
4 TH. STATION.
VIEW IN DIRECTION
OF ARROW 'Y'.

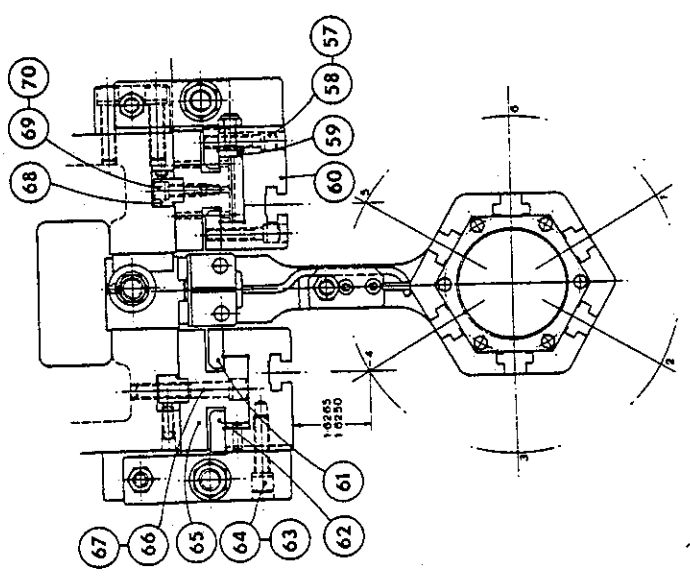
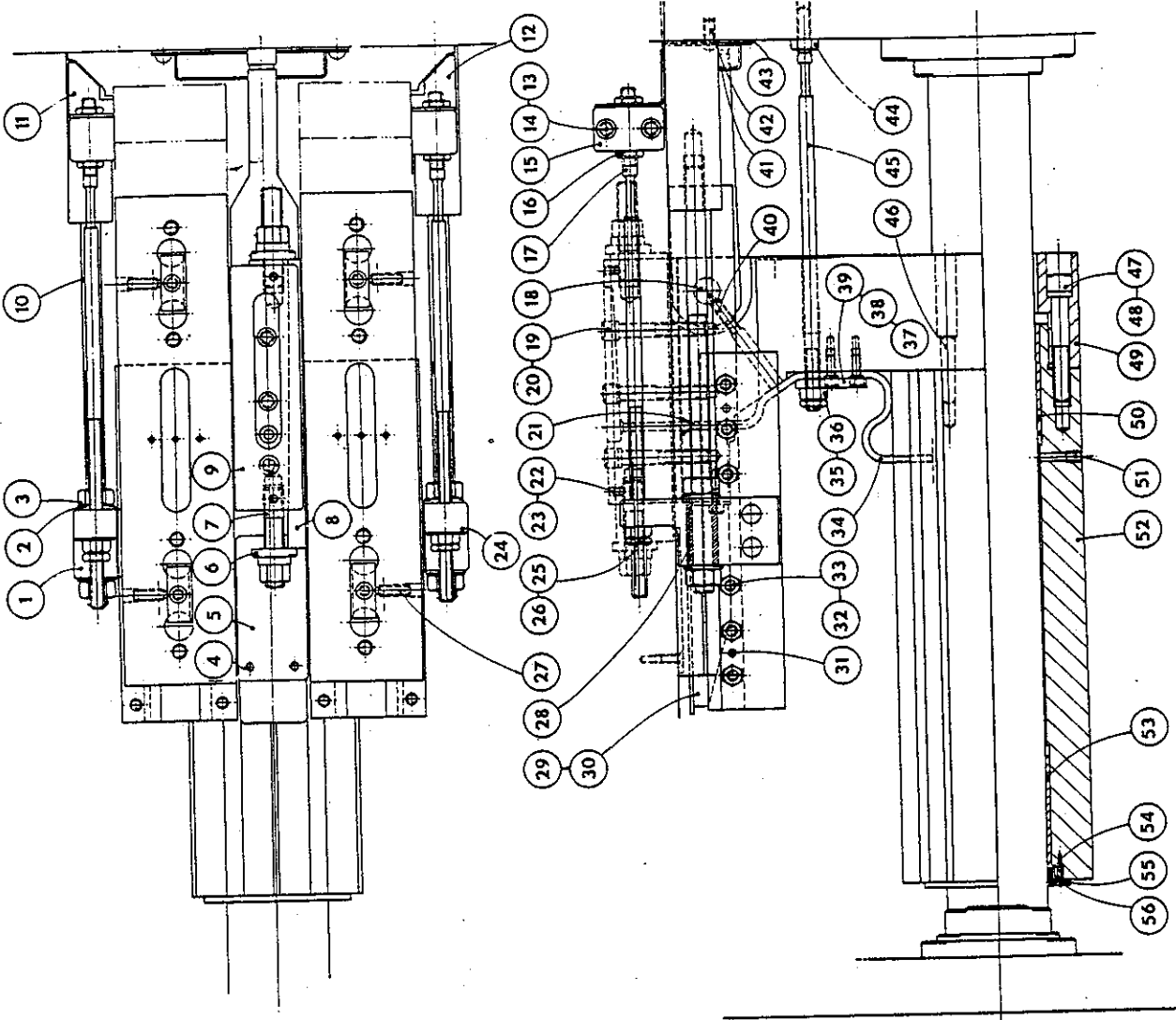


SECTION 424
5 TH. STATION
VIEW IN DIRECTION
OF ARROW 'X'.

**WICKMAN
MULTI-SPINDLE
AUTOMATICS**
CENTRE BLOCK AND LONGITUDINAL SLIDES, STATIONS 4 & 5
 $\frac{3}{8}$ "—6, $\frac{3}{8}$ "—6S, $\frac{3}{8}$ "—6D MACHINES

INDEX NO.	PART NO.	TITLE	INDEX NO.	PART NO.	TITLE
1	432X.106	Extension Arm, Rear	37	154/03	Spring Washer, $\frac{3}{8}$ " dia.
2	130/07	Washer, $\frac{3}{8}$ " dia.	38	156/208	Hexagon Socket Head Cap Screw, 2 B.A. X $\frac{1}{2}$ " long
3	173/07DH	Hexagon Nut, Double Chamfer, Hardened, $\frac{3}{8}$ " B.S.F.	39	427X.109	Clamp
4	159/208	Countersunk Socket Screw, 2 B.A. X $\frac{1}{2}$ " long	40	182/0412	Set Screw, Taper Point, $\frac{1}{8}$ " B.S.F. X $\frac{1}{8}$ " long
5	427X.124A	Beam Swarf Guard	41	423X.175	Drip Tray
6	127X.107	Adjusting Nut	42	164/0408	Round Head Screw, $\frac{1}{8}$ " B.S.F. X $\frac{1}{8}$ " long
7	127X.110	Adjusting Screw	43	423X.174	Drip Tray Gasket
8	427X.106	Guide Strip	44	173/05H	Hexagon Nut, Hardened, $\frac{3}{8}$ " B.S.F.
9	427V.105	Guide Block	45	427X.111	Stop Screw
10	429X.107	Adjusting Screw	46	141/3	Tapped Dowel, $\frac{1}{8}$ " X $1\frac{1}{2}$ " long
11	429X.113	Guard Plate, Rear	47	155/0640	Hexagon Socket Head Cap Screw, $\frac{3}{8}$ " B.S.F. X $\frac{1}{2}$ " long
12	429X.112	Guard Plate, Front	48	154/06	Spring Washer, $\frac{3}{8}$ " dia.
13	155/0520	Hexagon Socket Head Cap Screw, $\frac{3}{8}$ " B.S.F. X $\frac{1}{2}$ " long	49	427V.102A	Guide Arm
14	154/05	Spring Washer, $\frac{3}{8}$ " dia.	50	427X.103A	Bush for Centre Block
15	429X.109	Stop Block	51	176/0406	Set Screw, Cup Point, $\frac{1}{8}$ " B.S.F. X $\frac{1}{8}$ " long
16	173/05HL	Hexagon Locknut, Hardened, $\frac{3}{8}$ " B.S.F.	52	427Y.101B	Centre Block
17	429X.111	Stop Screw	53	427X.103A	Bush for Centre Block
18	427X.108	Link Pin	54	427X.113	Scraper Ring
19	155/0532	Hexagon Socket Head Cap Screw, $\frac{3}{8}$ " B.S.F. X $\frac{1}{2}$ " long	55	427X.114	Retaining Plate
20	154/05	Spring Washer, $\frac{3}{8}$ " dia.	56	159/406	Countersunk Socket Screw, 4 B.A. X $\frac{1}{2}$ " long
21	427X.116	Packing Washer	57	154/04	Spring Washer, $\frac{3}{8}$ " dia.
22	179/204	Set Screw, Cup Point, 2 B.A. X $\frac{1}{2}$ " long	58	155/0420	Hexagon Socket Head Cap Screw, $\frac{3}{8}$ " B.S.F. X $\frac{1}{2}$ " long
23	153/42	Soft Pad	59	429X.103	Gib Strip
24	429X.106A	Extension Arm, Front	60	429Y.101	Tool Slide
25	173/05H	Hexagon Nut, Hardened, $\frac{3}{8}$ " B.S.F.	61	429X.116	Keep Strip
26	173/05HL	Hexagon Locknut, Hardened, $\frac{3}{8}$ " B.S.F.	62	429X.115	Keep Strip
27	178/0412	Socket Set Screw, Half Dog, $\frac{1}{8}$ " B.S.F. X $\frac{1}{8}$ " long	63	154/05	Spring Washer, $\frac{3}{8}$ " dia.
28	429X.110	Spacer	64	155/0520	Hexagon Socket Head Cap Screw, $\frac{3}{8}$ " B.S.F. X $\frac{1}{2}$ " long
29	156/208	Hexagon Socket Head Cap Screw, 2 B.A. X $\frac{1}{2}$ " long	65	429Y.102	Tool Slide Guide
30	427X.126	Centre Guide Swarf Guard	66	155/0532	Hexagon Socket Head Cap Screw, $\frac{3}{8}$ " B.S.F. X $\frac{1}{2}$ " long
31	143/0608B	Mills Pin, $\frac{3}{8}$ " dia. X $\frac{1}{2}$ " long	67	154/05	Spring Washer, $\frac{3}{8}$ " dia.
32	203/04L	Self-locking Hexagon Nut, $\frac{1}{8}$ " B.S.F.	68	429X.105A	Locating Block
33	178/0412	Socket Set Screw, Half Dog, $\frac{1}{8}$ " B.S.F. X $\frac{1}{8}$ " long	69	155/0412	Hexagon Socket Head Cap Screw, $\frac{3}{8}$ " B.S.F. X $\frac{1}{2}$ " long
34	225/2522	Copper Pipe, $\frac{3}{8}$ " o. dia. X $9\frac{1}{2}$ " long	70	154/04	Spring Washer, $\frac{3}{8}$ " dia.
35	173/05HL	Hexagon Locknut, Hardened, $\frac{3}{8}$ " B.S.F.			
36	173/05H	Hexagon Nut, Hardened, $\frac{3}{8}$ " B.S.F.			

**List of Parts for
PLATE No. 18
(Drawing No. 427Z1)**
WHEN ORDERING SPARE PARTS ALWAYS QUOTE THE SERIAL NUMBER OF THE MACHINE.



WICKMAN
MULTI-SPINDLE
AUTOMATICS

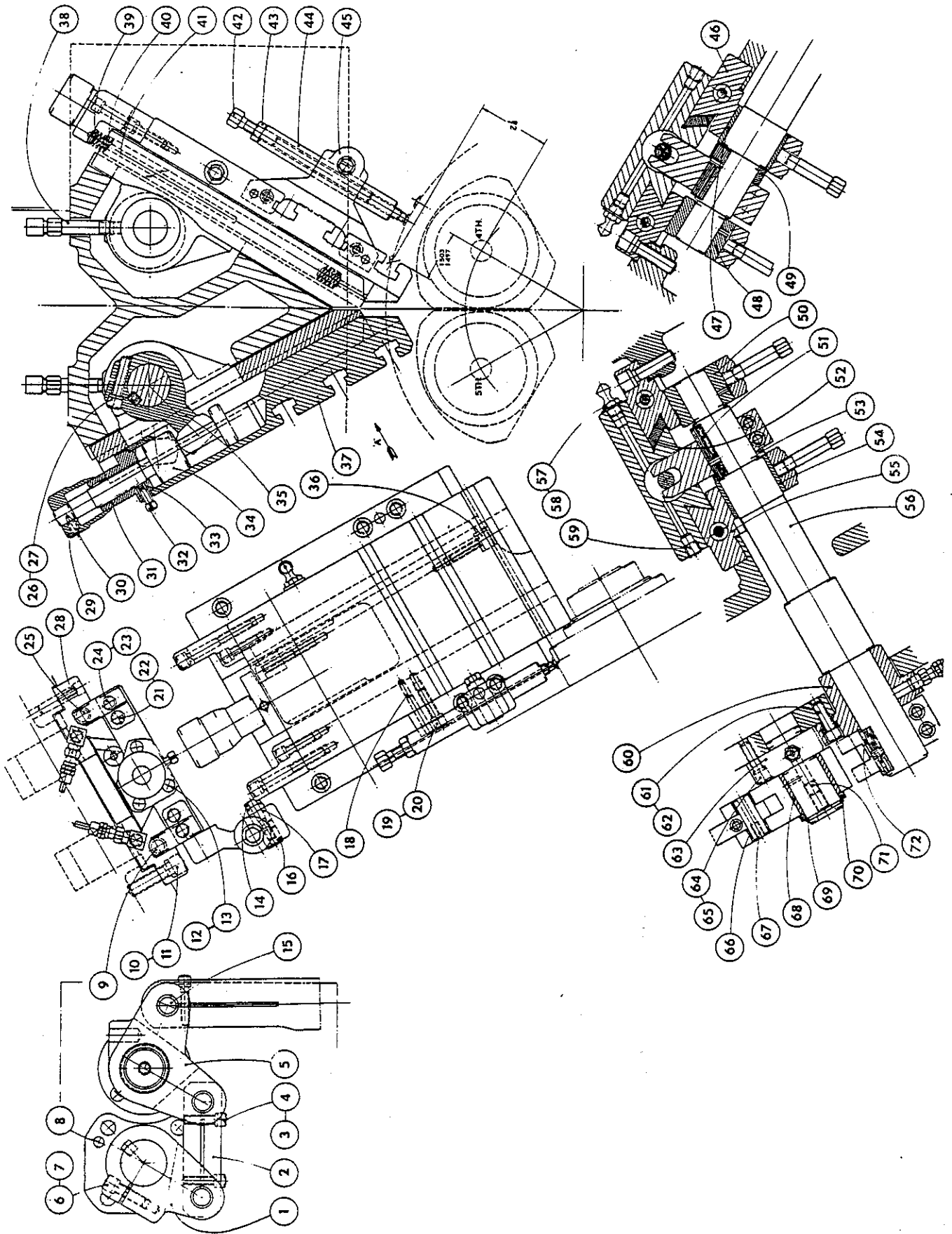
UPPER CROSS SLIDE

$\frac{3}{8}$ "—6, $\frac{3}{8}$ "—6S, $\frac{3}{8}$ "—6D MACHINES

INDEX NO.	PART NO.	TITLE	INDEX NO.	PART NO.	TITLE
1	435V.114	Fork Lever	37	435Y.102	Upper Cross Slide
2	435X.133	Link	38	435X.132	Lubrication Pipe
3	155/0416	Socket Head Cap Screw, $\frac{1}{4}$ " B.S.F. X $1\frac{1}{2}$ " long	39	435X.108	Upper Cross Slide Spring, Inner
4	154/04	Spring Washer, $\frac{1}{4}$ " dia.	40	435X.109A	Upper Cross Slide Spring, Outer
5	435V.113	Fork Lever	41	435X.110A	Spring Plunger
6	155/0516	Socket Head Cap Screw, $\frac{3}{8}$ " B.S.F. X $1\frac{1}{2}$ " long	42	442X.124	Stop Bracket Screw
7	154/05	Spring Washer, $\frac{3}{8}$ " dia.	43	173/05H	Hexagon Nut, $\frac{3}{8}$ " B.S.F.
8	141/3	Taper Pin, Tapped, $\frac{1}{16}$ " dia. X $1\frac{1}{2}$ " long	44	442X.123	Stop Bracket Bush
9	435X.106B	Retaining Plate	45	442X.130	Stop Bracket
10	154/06	Spring Washer, $\frac{1}{8}$ " dia.	46	435X.103B	Base Assembly, Rear
11	155/0624	Socket Head Cap Screw, $\frac{3}{8}$ " B.S.F. X $1\frac{1}{2}$ " long	47	236/242820	Oil Retaining Bush, $1\frac{1}{4}$ " X $1\frac{3}{4}$ " X $1\frac{1}{4}$ " long
12	154/04	Spring Washer, $\frac{1}{4}$ " dia.	48	442X.132	Bush
13	155/0410	Socket Head Cap Screw, $\frac{1}{4}$ " B.S.F. X $\frac{3}{4}$ " long	49	442X.119	Spacer, Station 4
14	142X.143A	Pad Bolt	50	442X.132	Bush
15	441X.112	Link Pin	51	121/1228T	Key, $\frac{3}{8}$ " Square X $1\frac{1}{4}$ " long
16	142X.125A	Pad Bush	52	442X.113	Gib Strip
17	142X.126A	Pad Bush	53	442X.151	Spacer, Station 5
18	125/1620	Taper Pin, $\frac{1}{8}$ " dia. X $1\frac{1}{2}$ " long	54	236/242820	Oil Retaining Bush, $1\frac{1}{4}$ " X $1\frac{3}{4}$ " X $1\frac{1}{4}$ " long
19	155/0416	Socket Head Cap Screw, $\frac{1}{4}$ " B.S.F. X $1\frac{1}{2}$ " long	55	435X.104B	Base Assembly, Front
20	154/04	Spring Washer, $\frac{1}{4}$ " dia.	56	425V.125	Shaft
21	155/0416	Socket Head Cap Screw, $\frac{1}{4}$ " B.S.F. X $1\frac{1}{2}$ " long	57	212/9018	Grease Nipple, $\frac{1}{8}$ " B.S.P.
22	154/04	Spring Washer, $\frac{1}{4}$ " dia.	58	210/2525	Indicator Washer
23	154/04	Spring Washer, $\frac{1}{4}$ " dia.	59	194/1	Socket Pipe Plug, $\frac{1}{8}$ " B.S.P.
24	155/0436	Socket Head Cap Screw, $\frac{1}{4}$ " B.S.F. X $2\frac{1}{4}$ " long	60	435X.131A	Bush
25	435X.107B	Retaining Plate	61	155/0516	Socket Head Cap Screw, $\frac{3}{8}$ " B.S.F. X $1\frac{1}{2}$ " long
26	154/05	Spring Washer, $\frac{3}{8}$ " dia.	62	435X.140	Washer
27	155/0520	Socket Head Cap Screw, $\frac{3}{8}$ " dia. X $1\frac{1}{2}$ " long	63	435X.123	Pivot Peg
28	141/3	Taper Pin, Tapped, $\frac{1}{16}$ " dia. X $1\frac{1}{2}$ " long	64	155/0516	Socket Head Cap Screw, $\frac{3}{8}$ " B.S.F. X $1\frac{1}{2}$ " long
29	442V.112	Micrometer Head	65	154/05	Spring Washer, $\frac{1}{8}$ " dia.
30	182/0408	Socket Set Screw, $\frac{1}{4}$ " B.S.F. X $\frac{1}{2}$ " long	66	236/081007	Oil Retaining Bush, $\frac{3}{8}$ " X $\frac{3}{8}$ " X $\frac{1}{8}$ " long
31	442X.138	Cross Slide Nut	67	441X.112	Link Pin
32	188/0408	Square Head Set Screw, $\frac{1}{4}$ " B.S.F. X $\frac{1}{2}$ " long	68	236/182222	Oil Retaining Bush, $1\frac{1}{4}$ " X $1\frac{3}{4}$ " X $1\frac{1}{4}$ " long
33	144/04	Nylon Pad for $\frac{1}{8}$ " Screw	69	355/112	Retaining Ring, External, $1\frac{1}{4}$ " dia.
34	442X.139	Adjusting Screw	70	319X.186	Spacer
35	435X.120A	Fork Lever	71	176/0606	Socket Set Screw, $\frac{3}{8}$ " B.S.F. X $\frac{3}{4}$ " long
36	442X.114	Gib Adjusting Screw	72	121/1224T	Key, $\frac{3}{8}$ " square X $1\frac{1}{4}$ " long

List of Parts for
PLATE No. 19
(Drawing No. 435Z1B)

WHEN ORDERING SPARE PARTS ALWAYS QUOTE THE SERIAL NUMBER OF THE MACHINE



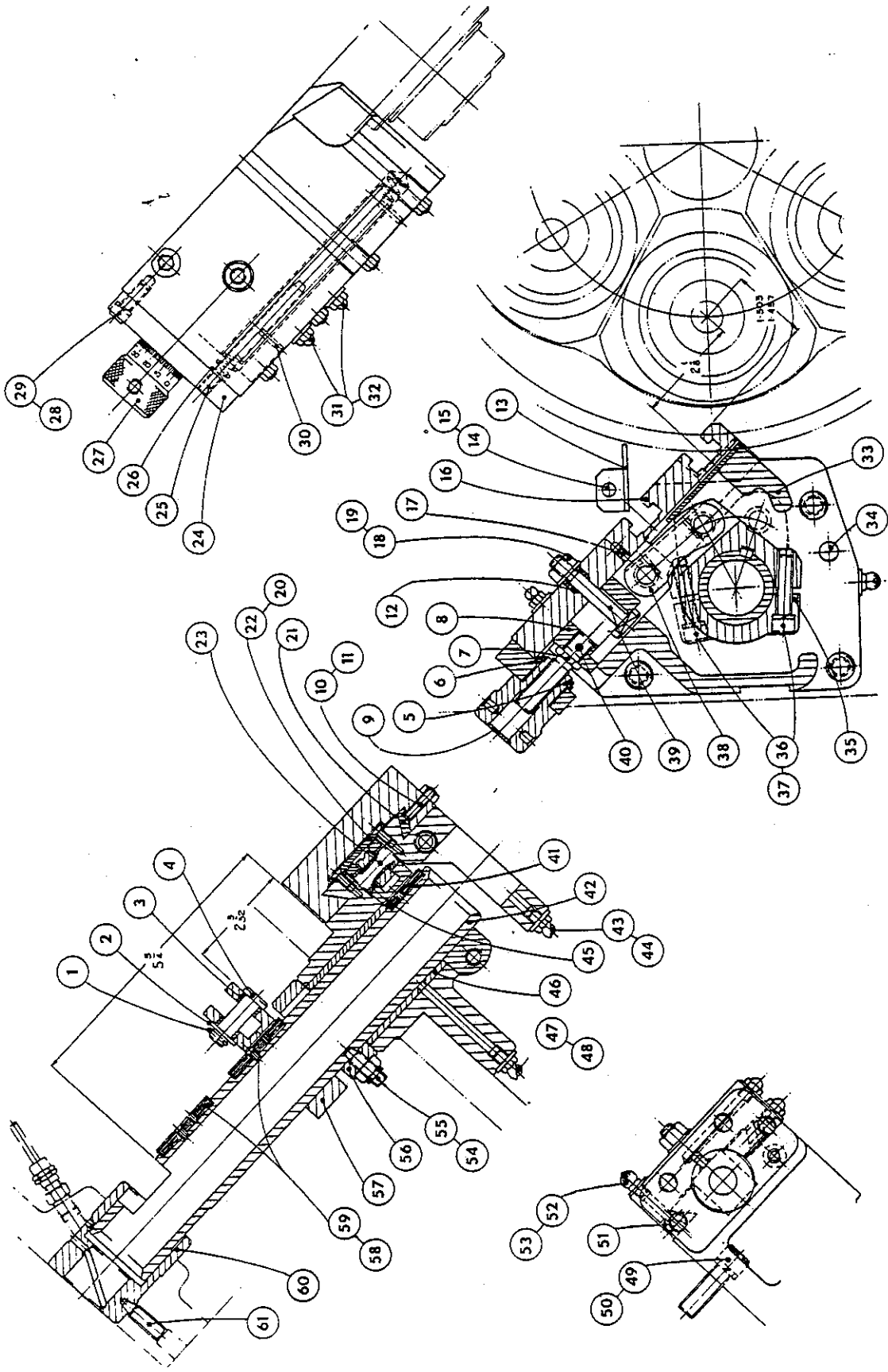
**WICKMAN
MULTI-SPINDLE
AUTOMATICS**

**PART-OFF SLIDE, STATION 6
3/4" - 6, 3/8" - 6S, 3/8" - 6D MACHINES**

INDEX NO.	PART NO.	TITLE	INDEX NO.	PART NO.	TITLE
1	327/0406	Split Pin, 1/16" dia. x 3/4" long	32	210/1725	Indicator Washer, Yellow, 3/4" dia.
2	130/06	Flat Washer, 3/8" dia.	33	437Y.151A	6th Station Slide Base
3	437X.111	Bush	34	141/6	Taper Pin, Tapped, 13/32" dia. x 1 1/2" long
4	437X.120	Link Pin	35	437X.155	Operating Arm
5	355/68	External Retaining Ring, 11/16" dia.	36	155/0520	Socket Head Cap Screw, 5/16" B.S.F. x 1 1/4" long
6	437X.162	Spacer	37	154/05	Spring Washer, 5/16" dia.
7	437X.161	Adjusting Screw	38	437X.163	Link
8	437X.159	Adjusting Block	39	437X.160	Slide Bolt
9	129/6	Weld Plug, 9/16" dia.	40	328/0414	Tension Pin, 1/8" dia. x 7/8" long
10	181/212	Socket Set Screw, Half Dog, 2 B.A. x 3/4" long	41	122/0816T	Key, Tapped, 1/2" x 3/16" x 1" long
11	174/2	Hexagon Nut, 2 B.A.	42	437X.157	Operating Tube
12	437X.138	Bolt Support Spring	43	212/4504	Oil Nipple, 45°, 1/4" B.S.F.
13	437X.177	Deflector Plate	44	210/1725	Indicator Washer, Yellow, 1/2" B.S.F.
14	155/0406	Cap Screw, 1/4" B.S.F. x 3/8" long	45	437X.111	Bush
15	154/03	Spring Washer, 3/16" dia.	46	236/242836	Oil Retaining Bush, 1 1/2" x 1 1/2" x 2 1/4" long
16	437Y.152A	6th Station Cut-off Slide	47	210/1725	Indicator Washer, Yellow, 1/2" dia.
17	225/3035	Copper Tube, 3/16" dia. x 1/4" long	48	217/4504	Oil Nipple, 45°, 1/4" B.S.F.
18	173/05H	Hexagon Nut, Hardened, 5/16" B.S.F.	49	154/06	Spring Washer, 3/8" dia.
19	130/05	Flat Washer, 5/16" dia.	50	155/0520	Socket Head Cap Screw, 3/8" B.S.F. x 1 1/4" long
20	159/406	Socket Countersunk Head Screw, 4 B.A. x 3/4" long	51	176/0403	Socket Set Screw, Cup Point, 1/4" B.S.F. x 3/16" long
21	437X.153	Gib Strip	52	212/4504	Oil Nipple, 45°, 1/4" B.S.F.
22	437X.166	Chip Cover	53	210/1725	Indicator Washer, Yellow, 1/2" dia.
23	437X.164	Link Pin	54	203/05	Self-locking Nut, 5/16" B.S.F.
24	437X.154	End Bracket	55	182/0516	Socket Set Screw, Taper Point, 5/16" B.S.F. x 1" long
25	437X.146	Spring Support	56	437X.158A	Collar
26	437X.118	Spring for Internal Cross Slides	57	437X.166	Fork Lever
27	437V.165A	Micrometer Head	58	159/604	Socket Countersunk Head Screw, 6 B.A. x 1/2" long
28	155/0410	Socket Head Cap Screw, 1/2" B.S.F. x 3/8" long	59	437X.167	Key
29	154/04	Spring Washer, 1/4" dia.	60	437X.122	Bearing for Operating Shaft
30	143/0410B	Mills Pin, Type B, 3/8" dia. x 5/8" long	61	182/0516	Socket Set Screw, Taper Point, 5/16" B.S.F. x 1" long
31	212/04S	Oil Nipple, Straight, 1/4" B.S.F.			

List of Parts for
PLATE No.20
(Drawing No.437Y1A)

WHEN ORDERING SPARE PARTS ALWAYS QUOTE THE SERIAL NUMBER OF THE MACHINE



**WICKMAN
MULTI-SPINDLE
AUTOMATICS**

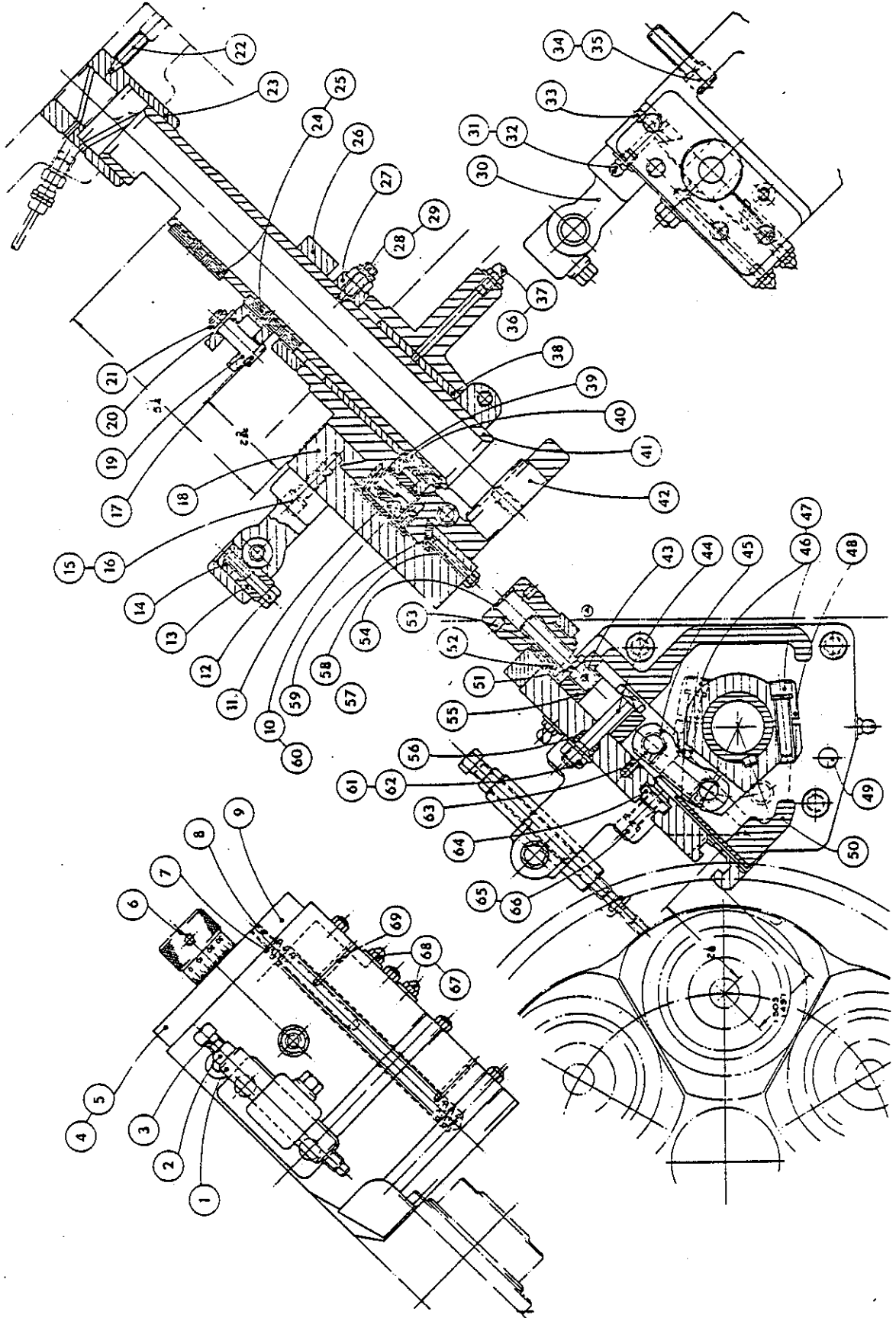
FORMING SLIDE, STATION 3 (Optional Extra)

$\frac{3}{8}$ "-6, $\frac{3}{8}$ "-6S MACHINES

INDEX NO.	PART NO.	TITLE	INDEX NO.	PART NO.	TITLE
1	142X.123C	Stop Bracket Bush	34	154/06	Spring Washer, $\frac{3}{8}$ " dia.
2	173/05H	Hexagon Nut, Hardened, $\frac{3}{8}$ " B.S.F.	35	155/0620	Socket Head Cap Screw, $\frac{3}{8}$ " B.S.F. x $1\frac{1}{2}$ " long
3	439X.120	Stop Bracket Screw	36	210/1725	Indicator Washer, Yellow, $\frac{1}{4}$ " dia.
4	154/04	Spring Washer, $\frac{1}{4}$ " dia.	37	212/4504	Oil Nipple, 45°, $\frac{1}{4}$ " B.S.F.
5	155/0410	Socket Head Cap Screw, $\frac{1}{2}$ " B.S.F. x $\frac{3}{4}$ " long	38	236/242836	Oil Retaining Bush, $1\frac{1}{2}$ " x $1\frac{1}{2}$ " x $2\frac{1}{2}$ " long
6	437V.165A	Micrometer Head	39	437X.111	Bush
7	437X.118	Spring for Internal Cross Slides	40	122/0816T	Key, Tapped, $\frac{1}{4}$ " x $\frac{3}{8}$ " x $1\frac{1}{2}$ " long
8	437X.146	Spring Support	41	437X.157	Operating Tube
9	439X.111	End Bracket	42	439X.104	Extractable Plug
10	437X.166	Chip Cover	43	326/0414	Tension Pin, $\frac{1}{8}$ " dia. x $\frac{3}{8}$ " long
11	437X.164	Link Pin	44	437X.160	Slide Bolt
12	142X.143A	Pad Bolt for Cross Slide Stop	45	437X.163	Link
13	142X.126A	Stop Bracket Pad Bush	46	155/0520	Socket Head Cap Screw, $\frac{3}{8}$ " B.S.F. x $1\frac{1}{2}$ " long
14	142X.125A	Stop Bracket Pad Bush	47	154/05	Spring Washer, $\frac{3}{8}$ " dia.
15	154/05	Spring Washer, $\frac{3}{8}$ " dia.	48	437X.155	Operating Arm
16	155/0512	Socket Head Cap Screw, $\frac{3}{8}$ " B.S.F. x $\frac{3}{4}$ " long	49	141/6	Taper Pin, Tapped, $\frac{3}{32}$ " dia. x $1\frac{1}{2}$ " long
17	437X.120	Link Pin	50	439Y.101	Forming Slide Base
18	439Y.102A	Forming Slide	51	437X.161	Adjusting Screw
19	437X.111	Bush	52	437X.162	Spacer
20	130/06	Flat Washer, $\frac{3}{8}$ " dia.	53	355/68	External Retaining Ring, $\frac{1}{16}$ " dia.
21	327/0406	Split Pin, $\frac{1}{8}$ " dia. x $\frac{3}{4}$ " long	54	129/6	Welch Plug, $\frac{3}{8}$ " dia.
22	182/0516	Socket Set Screw, Taper Point, $\frac{3}{16}$ " B.S.F. x $1\frac{1}{2}$ " long	55	437X.159	Adjusting Block
23	437X.122	Bearing for Operating Shaft	56	437X.138	Bolt Support Spring
24	437X.167	Key	57	174/2	Hexagon Nut, 2 B.A.
25	159/604	Socket Countersunk Head Screw, 6 B.A. x $\frac{1}{4}$ " long	58	181/220	Socket Set Screw, Half Dog, 2 B.A. x $1\frac{1}{2}$ " long
26	437X.156	Fork Lever	59	439X.153	Gib Strip
27	437X.158A	Collar	60	159/406	Socket Countersunk Head Screw, 4 B.A. x $\frac{1}{4}$ " long
28	182/0516	Socket Set Screw, Taper Point, $\frac{3}{16}$ " B.S.F. x $1\frac{1}{2}$ " long	61	130/05	Flat Washer, $\frac{3}{8}$ " dia.
29	203/05	Self-locking Nut, $\frac{3}{8}$ " B.S.F.	62	173/05H	Hexagon Nut, Hardened, $\frac{3}{8}$ " B.S.F.
30	439X.116A	Stop Bracket	63	225/2035	Copper Tube, $\frac{3}{8}$ " dia. x $\frac{1}{4}$ " long
31	210/1725	Indicator Washer, Yellow, $\frac{1}{4}$ " dia.	64	DS.1411	Tee Nut
32	212/4504	Oil Nipple, 45°, $\frac{1}{4}$ " B.S.F.	65	154/05	Spring Washer, $\frac{3}{8}$ " dia.
33	176/0403	Socket Set Screw, Cup Point, $\frac{1}{4}$ " B.S.F. x $\frac{3}{8}$ " long	66	155/0512	Socket Head Cap Screw, $\frac{3}{8}$ " B.S.F. x $\frac{3}{4}$ " long
			67	210/1725	Indicator Washer, Yellow, $\frac{1}{4}$ " dia.
			68	212/045	Oil Nipple, Straight, $\frac{1}{4}$ " B.S.F.
			69	143/0416B	Mills Pin, Type B, $\frac{1}{4}$ " dia. x $1\frac{1}{2}$ " long

List of Parts for
PLATE No. 21
(Drawing No. 439Y1A)

WHEN ORDERING SPARE PARTS ALWAYS QUOTE THE SERIAL NUMBER OF THE MACHINE



WICKMAN
MULTI-SPINDLE
AUTOMATICS

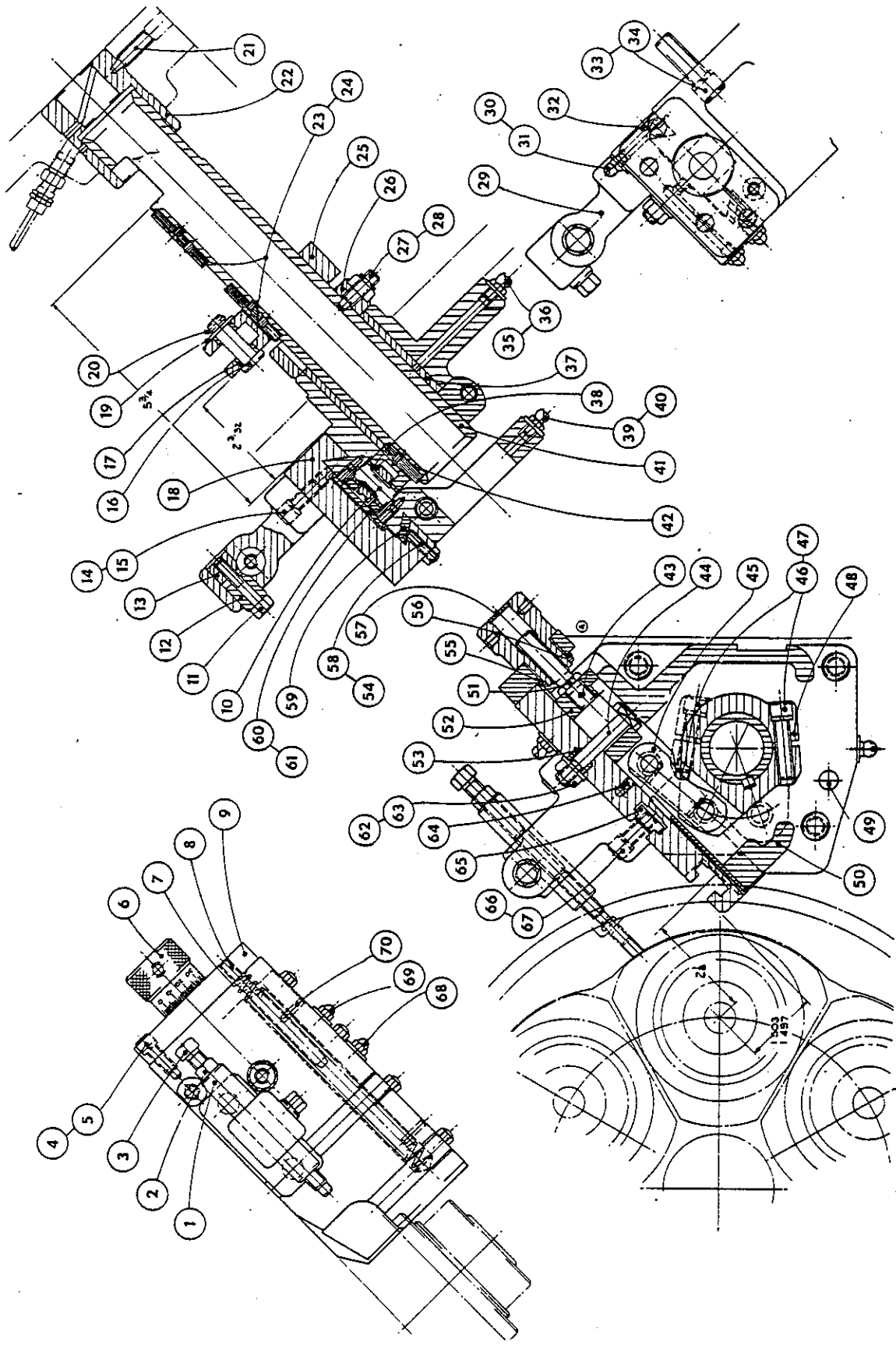
PART-OFF SLIDE, STATION 3

$\frac{1}{8}$ "-6D MACHINE

INDEX NO.	PART NO.	TITLE	INDEX NO.	PART NO.	TITLE
1	142X.123C	Stop Bracket Bush	36	212/4504	Oil Nipple, 45°, $\frac{1}{8}$ " B.S.F.
2	173/05H	Hexagon Nut, Hardened, $\frac{3}{8}$ " B.S.F.	37	236/242836	Oil Retaining Bush, $1\frac{1}{2}$ " x $1\frac{1}{2}$ " x $2\frac{1}{2}$ " long
3	439X.120	Stop Bracket Screw	38	437X.111	Bush
4	154/04	Spring Washer, $\frac{1}{2}$ " dia.	39	212/4504	Oil Nipple, 45°, $\frac{1}{8}$ " B.S.F.
5	155/0410	Socket Head Cap Screw, $\frac{1}{8}$ " B.S.F. x $\frac{1}{2}$ " long	40	210/1725	Indicator Washer, Yellow, $\frac{1}{8}$ " dia.
6	437V.165A	Micrometer Head	41	437X.157	Operating Tube
7	437X.118	Spring for Internal Cross Slides	42	122/0816T	Rectangular Key, Tapped, $\frac{1}{4}$ " x $\frac{3}{8}$ " x $1\frac{1}{2}$ " long
8	437X.146	Spring Support	43	326/0414	Tension Pin, $\frac{1}{8}$ " dia. x $\frac{1}{2}$ " long
9	439X.154	End Bracket	44	437X.160	Slide Bolt
10	437X.164	Link Pin	45	437X.163	Link
11	142X.143A	Pad Bolt for Cross Slide Stop	46	155/0520	Socket Head Cap Screw, $\frac{3}{8}$ " B.S.F.
12	142X.126A	Stop Bracket Pad Bush	47	154/05	Spring Washer, $\frac{3}{8}$ " dia.
13	142X.125A	Stop Bracket Pad Bush	48	437X.155	Operating Arm
14	154/05	Spring Washer, $\frac{3}{8}$ " dia.	49	141/6	Taper Pin, Tapped, $\frac{1}{4}$ " dia. x $1\frac{1}{2}$ " long
15	155/0512	Socket Head Cap Screw, $\frac{3}{8}$ " B.S.F. x $\frac{1}{2}$ " long	50	439Y.151A	3rd Station Cut-off Slide Base
16	437X.120	Link Pin	51	437X.161	Adjusting Screw
17	437X.111	Bush	52	437X.159	Adjusting Block
18	439Y.152A	3rd Station Cut-off Slide	53	437X.138	Bolt Support Spring
19	130/06	Flat Washer, $\frac{3}{8}$ " dia.	54	174/2	Hexagon Nut, 2 B.A.
20	327/0406	Split Pin, $\frac{1}{8}$ " dia. x $\frac{3}{4}$ " long	55	437X.162	Spacer
21	182/0516	Socket Set Screw, Taper Point, $\frac{3}{8}$ " B.S.F. x $1\frac{1}{2}$ " long	56	355/68	Retaining Ring, External, $\frac{1}{4}$ " dia.
22	437X.122	Bearing for Operating Shaft	57	129/6	Welch Plug, $\frac{3}{8}$ " dia.
23	437X.167	Key	58	181/212	Socket Set Screw, Half Dog, 2 B.A. x $\frac{3}{4}$ " long
24	159/604	Countersunk Socket Head Screw, 6 B.A. x $\frac{1}{2}$ " long	59	439X.153	Gib Strip
25	437X.156	Fork Lever	60	437X.166	Chip Cover
26	437X.158A	Collar	61	159/406	Countersunk Socket Head Screw, 4 B.A. x $\frac{1}{2}$ " long
27	182/0516	Socket Set Screw, Taper Point, $\frac{3}{8}$ " B.S.F. x $1\frac{1}{2}$ " long	62	130/05	Flat Washer, $\frac{3}{8}$ " dia.
28	203/05	Self-locking Nut, $\frac{3}{8}$ " B.S.F.	63	173/05H	Hexagon Nut, Hardened, $\frac{3}{8}$ " B.S.F.
29	439X.116A	Stop Bracket	64	225/3035	Copper Tube, $\frac{3}{8}$ " dia. x $\frac{1}{2}$ " long
30	210/1725	Indicator Washer, Yellow, $\frac{1}{8}$ " dia.	65	DS1411	Tee Nut
31	212/4504	Oil Nipple, 45°, $\frac{1}{8}$ " B.S.F.	66	154/05	Spring Washer, $\frac{3}{8}$ " dia.
32	176/0403	Socket Set Screw, Cup Point, $\frac{1}{8}$ " B.S.F. x $\frac{1}{8}$ " long	67	155/0512	Socket Head Cap Screw, $\frac{3}{8}$ " B.S.F. x $\frac{1}{2}$ " long
33	154/06	Spring Washer, $\frac{3}{8}$ " dia.	68	210/1725	Indicator Washer, Yellow, $\frac{1}{8}$ " dia.
34	155/0620	Socket Head Cap Screw, $\frac{3}{8}$ " B.S.F. x $1\frac{1}{2}$ " long	69	212/045	Oil Nipple, Straight, $\frac{1}{8}$ " B.S.F.
35	210/1725	Indicator Washer, Yellow, $\frac{1}{8}$ " dia.	70	143/0410B	Mills Pin, Type B, $\frac{1}{8}$ " dia. x $\frac{1}{2}$ " long

List of Parts for
PLATE No. 22
(Drawing No. 439Y7A)

WHEN ORDERING SPARE PARTS ALWAYS QUOTE THE SERIAL NUMBER OF THE MACHINE



**WICKMAN
MULTI-SPINDLE
AUTOMATICS**

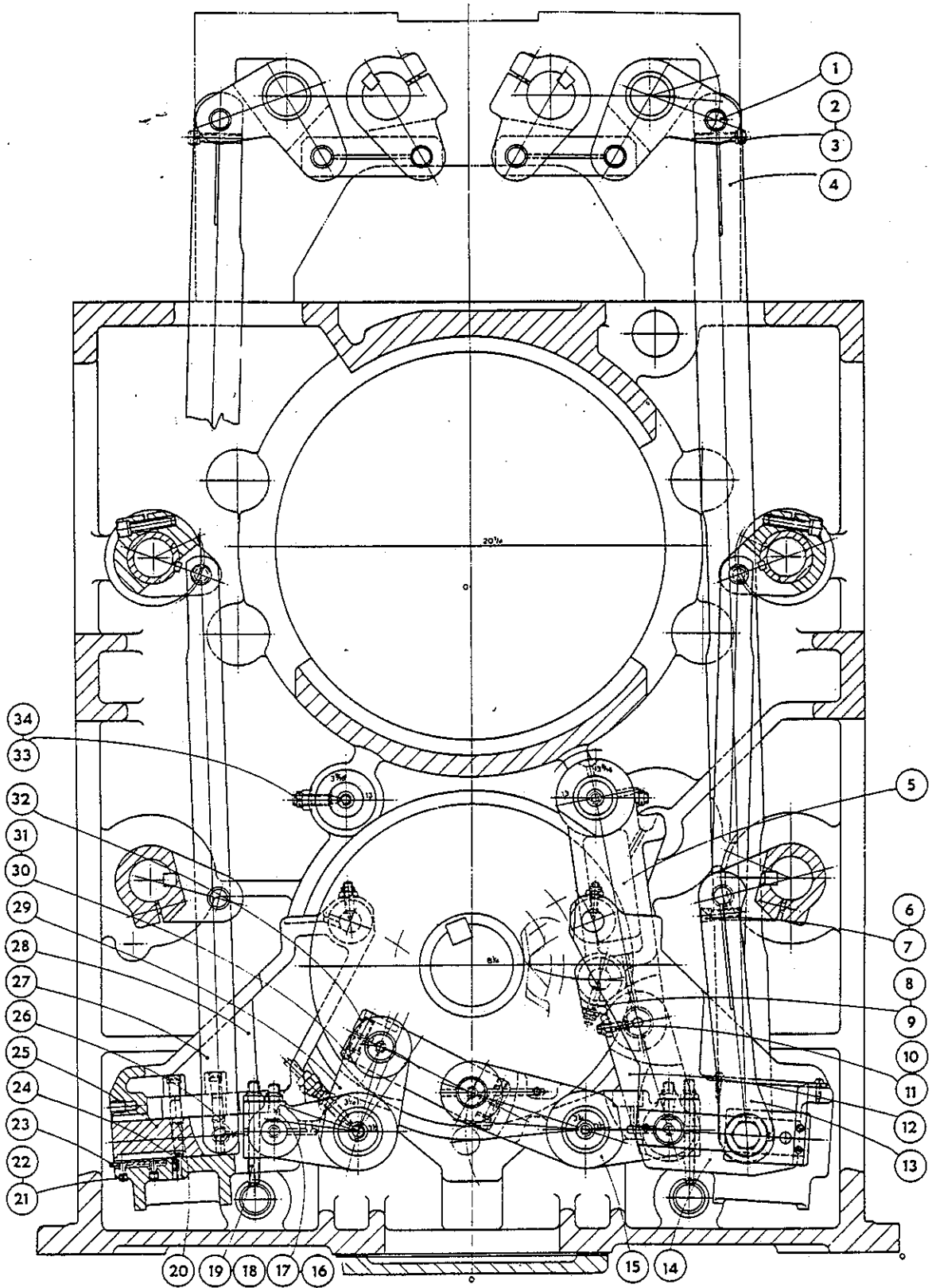
CROSS SLIDE OPERATION (See also 441Z2)

$\frac{1}{8}$ "—6, $\frac{1}{8}$ "—6S, $\frac{1}{8}$ "—6D MACHINES

INDEX NO.	PART NO.	TITLE
1	441X.112	Link Pin
2	155/0420	Socket Head Cap Screw, $\frac{1}{8}$ " B.S.F. X $1\frac{1}{2}$ " long
3	154/04	Spring Washer, $\frac{1}{8}$ " dia.
4	444V.111	Link to Upper Cross Slides
5	441Y.104	Approach Arm
6	155/0414	Socket Head Cap Screw, $\frac{1}{8}$ " B.S.F. X $1\frac{1}{2}$ " long
7	154/04	Spring Washer, $\frac{1}{8}$ " dia.
8	182/0420	Socket Set Screw, Taper Point, $\frac{1}{8}$ " B.S.F. X $1\frac{1}{2}$ " long
9	203/04	Self-locking Hexagon Nut, $\frac{1}{8}$ " B.S.F.
10	182/0416	Socket Set Screw, Taper Point, $\frac{1}{8}$ " B.S.F. X $1\frac{1}{2}$ " long
11	203/04	Self-locking Hexagon Nut, $\frac{1}{8}$ " B.S.F.
12	441X.105	Lower Approach Link
13	441X.106	Feed Link
14	441X.Z.101	Cross Slide Cam Lever
15	441Y.103	Approach Anchor Link, Rear
16	203/05L	Self-locking Hexagon Nut, Thin, $\frac{3}{16}$ " B.S.F.
17	182/0520	Socket Set Screw, Taper Point, $\frac{3}{16}$ " B.S.F. X $1\frac{1}{2}$ " long
18	203/05L	Self-locking Hexagon Nut, Thin, $\frac{3}{16}$ " B.S.F.
19	178/0548	Socket Set Screw, Half Dog, $\frac{3}{16}$ " B.S.F. X $3\frac{1}{2}$ " long
20	441X.119	Stud
21	154/4	Spring Washer, 4 B.A.
22	156/406	Socket Head Cap Screw, 4 B.A. X $1\frac{1}{2}$ " long
23	441X.120	Scale, Intermediate Cross Slides
24	326/0812	Tension Pin, $\frac{1}{8}$ " dia. X $1\frac{1}{2}$ " long
25	437X.110	Carrier for Cross Slide Link
26	180/406	Socket Set Screw, Cone Point, 4 B.A. X $1\frac{1}{2}$ " long
27	437/105	Intermediate Slide Link
28	441Z.101	Cross Slide Cam Lever
29	441Y.107	Approach Anchor Link, Front
30	154/05	Spring Washer, $\frac{3}{16}$ " dia.
31	155/0516	Socket Head Cap Screw, $\frac{3}{16}$ " B.S.F. X $1\frac{1}{2}$ " long
32	441X.110	Approach Connecting Link
33	203/05	Self-locking Hexagon Nut, $\frac{3}{16}$ " B.S.F.
34	182/0520	Socket Set Screw, Taper Point, $\frac{3}{16}$ " B.S.F. X $1\frac{1}{2}$ " long

List of Parts for
PLATE No. 23
(Drawing No. 441Z1)

WHEN ORDERING SPARE PARTS ALWAYS QUOTE THE SERIAL NUMBER OF THE MACHINE



**WICKMAN
MULTI-SPINDLE
AUTOMATICS**

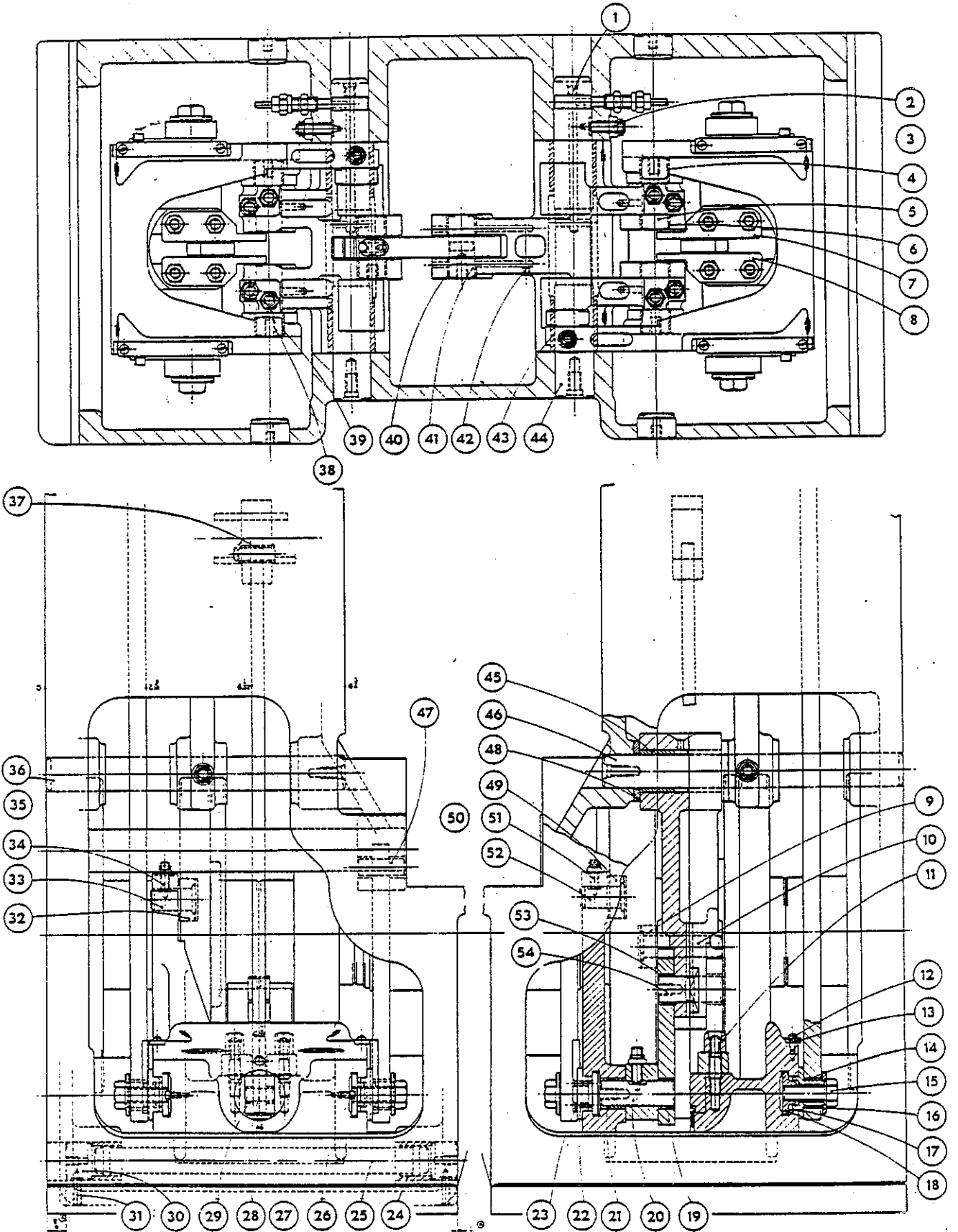
CROSS SLIDE OPERATION (See also 441Z1)

$\frac{3}{8}$ "-6, $\frac{3}{8}$ "-6S, $\frac{3}{8}$ "-6D MACHINES

INDEX NO.	PART NO.	TITLE	INDEX NO.	PART NO.	TITLE
1	176/0505	Socket Set Screw, Cup Point, $\frac{3}{16}$ " B.S.F. X $\frac{1}{8}$ " long	23	441X.160	Indicator Finger
2	182/0520	Socket Set Screw, Taper Point, $\frac{3}{16}$ " B.S.F. X $\frac{1}{4}$ " long	24	441X.134	Stop Shaft Bush
3	203/05	Self-locking Hexagon Nut, $\frac{3}{16}$ " B.S.F.	25	441X.130	Stop Shaft
4	236/121412	Oil Retaining Bush, $\frac{3}{8}$ " X $\frac{1}{8}$ " X $\frac{3}{8}$ " long	26	156/404	Socket Head Cap Screw, 4 B.A. X $\frac{3}{8}$ " long
5	441X.127	Pivot Pin	27	154/4	Spring Washer, 4 B.A.
6	325/121408	Glacier DU Bush $\frac{3}{8}$ " X $\frac{1}{8}$ " X $\frac{1}{8}$ " long	28	437X.108	Link Pin
7	437X.106	Clamp Plate (Right Hand)	29	437X.111	Bush
8	437X.107	Clamp Plate (Left Hand)	30	441X.131	Plug for Stop Shaft
9	150X.130	Cam Roller	31	182/0416	Socket Set Screw, Taper Point, $\frac{3}{16}$ " B.S.F. X $\frac{1}{4}$ " long
10	441X.159	Roller Pin	32	150X.130	Cam Roller
11	437X.117	Deep Nut	33	441X.123	Roller Pin
12	165/406	Round Head Set Screw, 4 B.A. X $\frac{3}{8}$ " long	34	203/04	Self-locking Hexagon Nut, $\frac{3}{16}$ " B.S.F.
13	441X.145	Scale, Lower and Upper Cross Slides	35	182/0414	Socket Set Screw, Taper Point, $\frac{3}{16}$ " B.S.F. X $\frac{1}{4}$ " long
14	236/121408	Glacier DU Bush, $\frac{3}{8}$ " X $\frac{1}{8}$ " X $\frac{3}{8}$ " long	36	441X.139	Fulcrum Shaft for Approach Arm
15	169/0720	High Tensile Hexagon Set Screw, $\frac{3}{16}$ " B.S.F. X $\frac{1}{4}$ " long	37	236/060806	Oil Retaining Bush, $\frac{3}{8}$ " X $\frac{1}{8}$ " X $\frac{3}{8}$ " long
16	441X.116	Slotted Washer	38	441X.127	Pivot Pin
17	441X.141	Sliding Sleeve	39	236/121412	Oil Retaining Bush, $\frac{3}{8}$ " X $\frac{1}{8}$ " X $\frac{3}{8}$ " long
18	441X.143	Tee Nut	40	236/121410	Oil Retaining Bush, $\frac{3}{8}$ " X $\frac{1}{8}$ " X $\frac{3}{8}$ " long
19	325/121408	Glacier DU Bush, $\frac{3}{8}$ " X $\frac{1}{8}$ " X $\frac{3}{8}$ " long	41	441X.125	Pivot Pin
20	441X.127	Pivot Pin	42	176/0404	Socket Set Screw, Cup Point, $\frac{3}{16}$ " B.S.F. X $\frac{1}{4}$ " long
21	236/121412	Oil Retaining Bush, $\frac{3}{8}$ " X $\frac{1}{8}$ " X $\frac{3}{8}$ " long	43	236/182224	Oil Retaining Bush, $\frac{1}{8}$ " X $\frac{1}{8}$ " X $\frac{1}{8}$ " long
22	159/406	Socket Countersunk Screw, 4 B.A. X $\frac{3}{8}$ " long	44	441X.129	Fulcrum Shaft for Anchor Link

List of Parts for
PLATE No. 24
(Drawing No. 441Z2)

WHEN ORDERING SPARE PARTS ALWAYS QUOTE THE SERIAL NUMBER OF THE MACHINE.

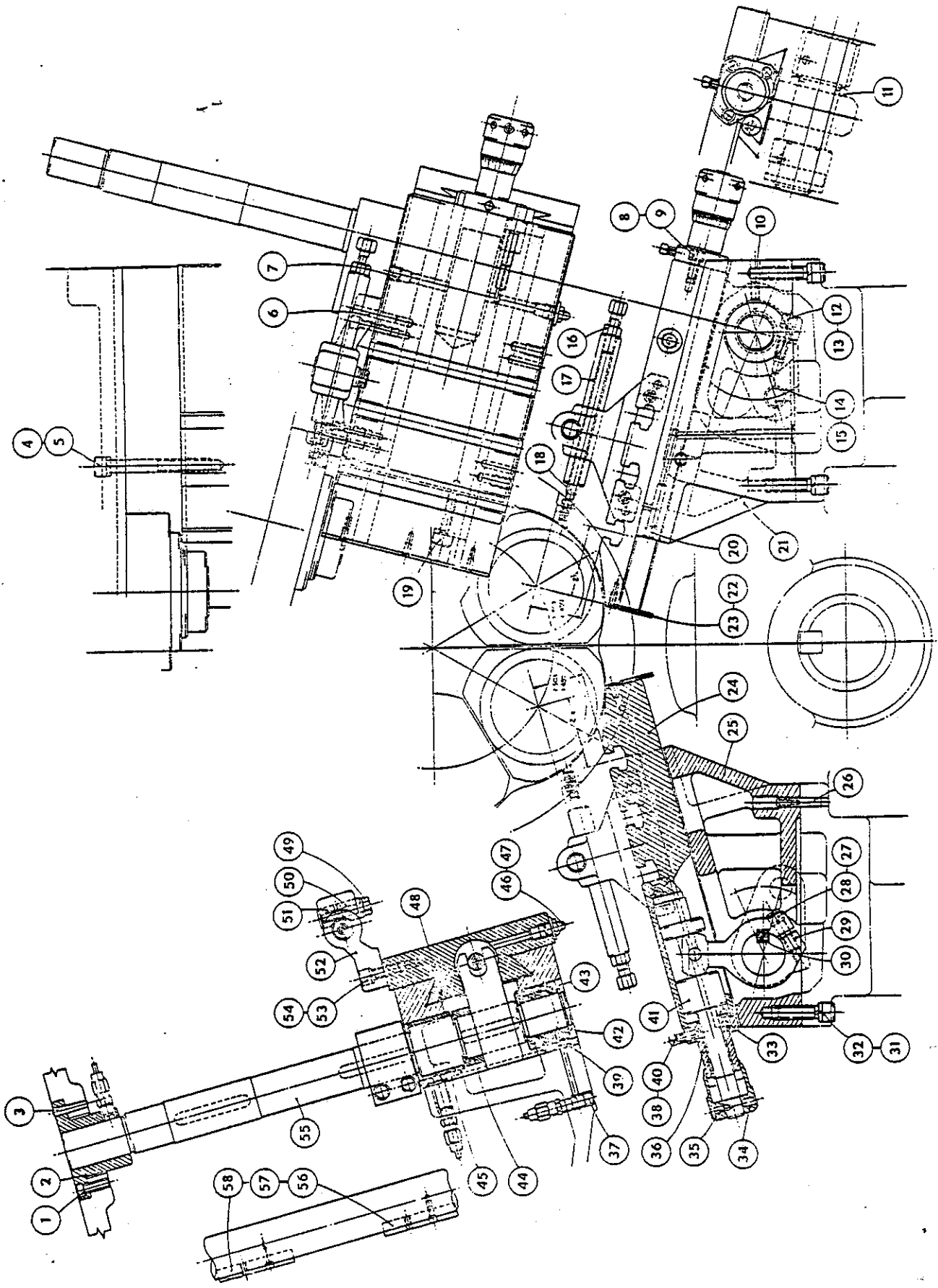


WICKMAN
 MULTI-SPINDLE
AUTOMATICS
LOWER CROSS SLIDES
 $\frac{3}{8}$ "—6, $\frac{3}{8}$ "—6S, $\frac{3}{8}$ "—6D MACHINES

INDEX NO.	PART NO.	TITLE	INDEX NO.	PART NO.	TITLE
1	155/0412	Socket Head Cap Screw, $\frac{1}{4}$ " B.S.F. X $\frac{3}{8}$ " long	30	121/1228T	Key, Tapped, $\frac{3}{8}$ " square X $1\frac{1}{2}$ " long
2	442X.118	Shaft Bearing	31	154/06	Spring Washer, $\frac{3}{8}$ " dia.
3	125/1616	Taper Pin, $\frac{1}{8}$ " dia. X 1" long	32	155/0620	Socket Head Cap Screw, $\frac{3}{8}$ " B.S.F. X $1\frac{1}{2}$ " long
4	155/0648	Socket Head Cap Screw, $\frac{1}{4}$ " B.S.F. X $\frac{3}{8}$ " long	33	156/404	Socket Head Cap Screw, 4 B.A. X $\frac{1}{4}$ " long
5	154/06	Spring Washer, $\frac{3}{8}$ " dia.	34	442V.112	Micrometer Head
6	125/1620	Taper Pin, $\frac{1}{8}$ " dia. X $1\frac{1}{4}$ " long	35	182/0408	Socket Set Screw, Taper Point, $\frac{1}{8}$ " B.S.F. X $\frac{1}{2}$ " long
7	194/1	Socket Pipe Plug, $\frac{1}{4}$ " B.S.P.	36	442X.138	Cross Slide Nut
8	155/0410	Socket Head Cap Screw, $\frac{1}{4}$ " B.S.F. X $\frac{3}{8}$ " long	37	194/1	Socket Pipe Plug, $\frac{1}{4}$ " B.S.P.
9	154/04	Spring Washer, $\frac{1}{2}$ " dia.	38	144/04	Nylon Pad, for $\frac{1}{4}$ " B.S.F.
10	182/0412	Socket Set Screw, Taper Point, $\frac{1}{8}$ " B.S.F. X $\frac{1}{2}$ " long	39	227X.116	Packing Washer
11	442X.151	Spacer	40	188/0408	Square Head Set Screw, $\frac{1}{4}$ " B.S.F. X $\frac{1}{2}$ " long
12	155/0516	Socket Head Cap Screw, $\frac{3}{8}$ " B.S.F. X 1" long	41	442X.139	Adjusting Screw
13	154/05	Spring Washer, $\frac{3}{8}$ " dia.	42	355/100	Retaining Ring, External, 1" dia.
14	442X.134A	Feed Lever	43	442X.132	Bush
15	236/081007	Oil Retaining Bush, $\frac{1}{2}$ " X $\frac{3}{8}$ " X $\frac{1}{8}$ "	44	442X.119	Spacer
16	173/05H	Hexagon Nut, Hardened, $\frac{3}{8}$ " B.S.F.	45	236/242820	Oil Retaining Bush, $1\frac{1}{2}$ " X $1\frac{1}{2}$ " X $1\frac{1}{2}$ "
17	442X.123	Stop Bracket Bush	46	212/18	Oil Nipple, $\frac{1}{8}$ " B.S.P.
18	442X.124	Stop Bracket Screw	47	210/2525	Indicator Washer, Yellow
19	442X.114	Gib Adjusting Screw	48	442X.113	Gib Strip for Cross Slides
20	176/0505	Socket Set Screw, Cup Point, $\frac{3}{8}$ " B.S.F. X $\frac{1}{2}$ " long	49	142X.143A	Pad Bolt for Cross Slide Stops
21	442X.108	Rear Lower Cross Slide Base Assembly	50	142X.126A	Pad Bush for Stop Bracket
22	159/406	Countersunk Socket Screw, 4 B.A. X $\frac{1}{4}$ " long	51	142X.125A	Pad Bush for Stop Bracket
23	442X.140	Swarf Guard	52	442X.130	Stop Bracket
24	442Y.101	Lower Cross Slide	53	154/04	Spring Washer, $\frac{3}{8}$ " dia.
25	442X.107	Front Lower Cross Slide Base Assembly	54	155/0416	Socket Head Cap Screw, $\frac{1}{4}$ " B.S.F. X 1" long
26	141/3	Taper Pin, Extractable, $\frac{1}{8}$ " dia. X $1\frac{1}{2}$ " long	55	442V.135	Shaft
27	154/05	Spring Washer, $\frac{3}{8}$ " dia.	56	154/4	Spring Washer, for 4 B.A.
28	155/0516	Socket Head Cap Screw, $\frac{3}{8}$ " B.S.F. X 1" long	57	156/406	Socket Head Cap Screw, 4 B.A. X $\frac{1}{4}$ " long
29	435X.120A	Fork Lever	58	442X.136	Key

List of Parts for
 PLATE No. 25
 (Drawing No. 442Z1)

WHEN ORDERING SPARE PARTS ALWAYS QUOTE THE SERIAL NUMBER OF THE MACHINE



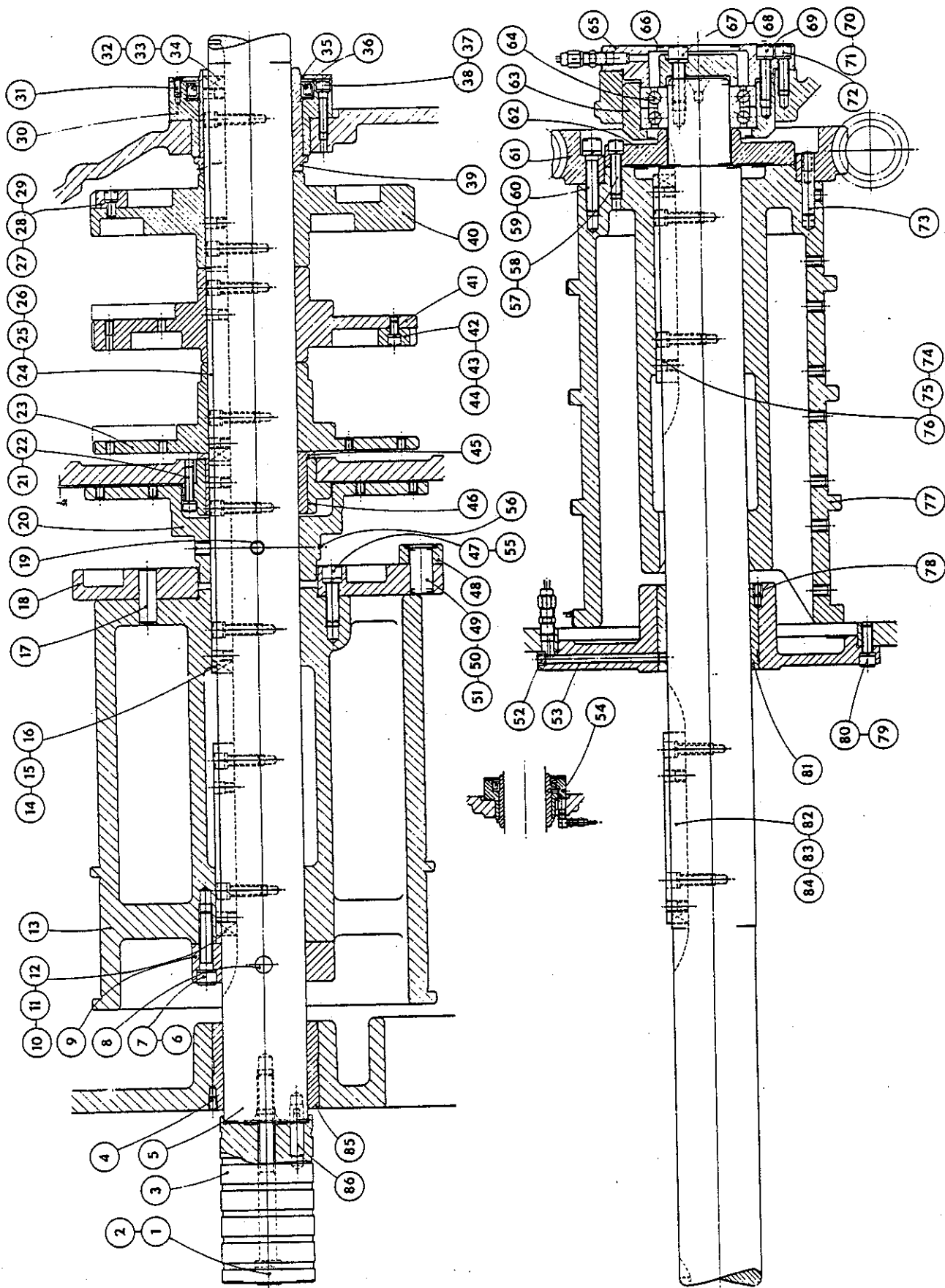
**WICKMAN
MULTI-SPINDLE
AUTOMATICS**

MAIN CAMSHAFT
3/8"-6, 3/8"-6S, 3/8"-6D MACHINES

INDEX NO.	PART NO.	TITLE	INDEX NO.	PART NO.	TITLE	INDEX NO.	PART NO.	TITLE
1	155/0888	Socket Head Cap Screw, 1/2" B.S.F. x 5 1/2" long	30	444X.135	Camshaft Bush (Drum Housing)	58	155/0520	Socket Head Cap Screw, 3/8" B.S.F. x 1 1/4" dia.
2	154/08	Spring Washer, 3/8" dia.	31	162/208	Countersunk Screw, Slotted, 2 B.A. x 3/4" long	59	154/06	Spring Washer, 3/8" dia.
3	444X.156	Camshaft Extension	32	154/05	Spring Washer, 3/8" dia.	60	155/0628	Socket Head Cap Screw, 3/8" B.S.F. x 1 1/4" long
4	176/0406	Socket Set Screw, Cup Point, 1/4" B.S.F. x 3/8" long	33	155/0516	Socket Head Cap Screw, 3/8" B.S.F. x 1" long	61	418Y.124	Lower Wormwheel
5	444Y.101	Main Camshaft	34	444X.148	Key for Main Camshaft	62	444X.152	Cam Drum End Plate
6	154/06	Spring Washer, 3/8" dia.	35	444X.136	Cover Plate	63	444X.121	Bearing Housing
7	155/0628	Socket Head Cap Screw, 3/8" B.S.F. x 1 1/4" long	36	235/46586	Oil Seal, 2 1/2" x 3 1/2" x 1/2"	64	269/45	Ball Journal, Double Row, 45 x 85 mm x 1 3/8"
8	125/3264	Taper Pin, 3/8" dia. x 4" long	37	154/04	Spring Washer, 3/8" dia.	65	444X.153	End Cap
9	444X.154	Collar	38	155/0420	Socket Head Cap Screw, 1/2" B.S.F. x 1 1/4" long	66	444X.128	Bearing Clamp
10	154/05	Spring Washer, 3/8" dia.	39	444X.137	Camshaft Bearing Sleeve	67	155/0620	Socket Head Cap Screw, 3/8" B.S.F. x 1 1/4" long
11	155/0516	Socket Head Cap Screw, 3/8" B.S.F. x 1" long	40	444Y.104A	Cross Slide Cam, Rear	68	154/06	Spring Washer, 3/8" dia.
12	444X.148	Key for Main Camshaft	41	444Y.105B	Cross Slide Cam, Front	69	155/0520	Socket Head Cap Screw, 3/8" B.S.F. x 1 1/4" long
13	444Z.113B	Cam Drum	42	444X.112/1	Cam Insert, Front	70	154/05	Spring Washer, 3/8" dia.
14	154/05	Spring Washer, 3/8" dia.	43	155/0408	Socket Head Cap Screw, 1/2" B.S.F. x 1 1/4" long	71	155/0516	Socket Head Cap Screw, 3/8" B.S.F. x 1" long
15	155/0516	Socket Head Cap Screw, 3/8" B.S.F. x 1" long	44	154/04	Spring Washer, 3/8" dia.	72	154/05	Spring Washer, 3/8" dia.
16	444X.147	Key for Main Camshaft	45	444X.138	Camshaft Bearing Sleeve	73	141/7	Extractable Taper Pin, 3/16" dia. x 1 1/4" long
17	125/3224	Taper Pin, 3/8" dia. x 1 1/2" long	46	444X.134	Camshaft Bush	74	154/05	Spring Washer, 3/8" dia.
18	446V.112B	Drum Locking Cam	47	155/0620	Socket Head Cap Screw, 1/2" B.S.F. x 1 1/4" long	75	155/0516	Socket Head Cap Screw, 3/8" B.S.F. x 1" long
19	182/0612	Hexagon Socket Set Screw, Taper Point, 3/8" B.S.F. x 3/4" long	48	446X.109	Index Roller	76	444X.147	Key for Main Camshaft
20	444V.125A	Body for Bar Stop Cams	49	446X.110	Index Roller Pin	77	444Y.130	Cam Drum
21	154/04	Spring Washer, 3/8" dia.	50	182/0524	Socket Set Screw, Taper Point, 1/4" B.S.F. x 1 1/4" long	78	176/0406	Socket Set Screw, Cup Point, 1/4" B.S.F. x 3/8" long
22	155/0416	Socket Head Cap Screw, 1/2" B.S.F. x 1" long	51	203/05	Self-locking Hexagon Nut, 3/8" B.S.F.	79	154/05	Spring Washer, 3/8" dia.
23	444V.103A	Auxiliary Cam Carrier	52	176/0504	Socket Set Screw, Cup Point, 1/4" B.S.F. x 3/8" long	80	155/0514	Socket Head Cap Screw, 3/8" B.S.F. x 1 1/4" long
24	444X.148	Key for Main Camshaft	53	444Y.150	Bearing Plate	81	444X.151	Bearing Plate Bush
25	155/0516	Socket Head Cap Screw, 3/8" B.S.F. x 1" long	54	176/0404	Socket Set Screw, Cup Point, 1/4" B.S.F. x 3/8" long	82	444X.148	Key for Main Camshaft
26	154/05	Spring Washer, 3/8" dia.	55	154/06	Spring Washer, 3/8" dia.	83	155/0516	Socket Head Cap Screw, 3/8" B.S.F. x 1" long
27	154/04	Spring Washer, 3/8" dia.	56	—	Soft Iron Wire, 1/8" dia.	84	154/05	Spring Washer, 3/8" dia.
28	155/0408	Socket Head Cap Screw, 1/2" B.S.F. x 3/4" long	57	154/05	Spring Washer, 3/8" dia.	85	444X.132A	Camshaft Bearing
29	444X.112/2	Cam Insert, Rear				86	544X.152	Coupling Pin

List of Parts for
PLATE No. 26
(Drawing No. 444Z1)

WHEN ORDERING SPARE PARTS ALWAYS QUOTE THE SERIAL NUMBER OF THE MACHINE

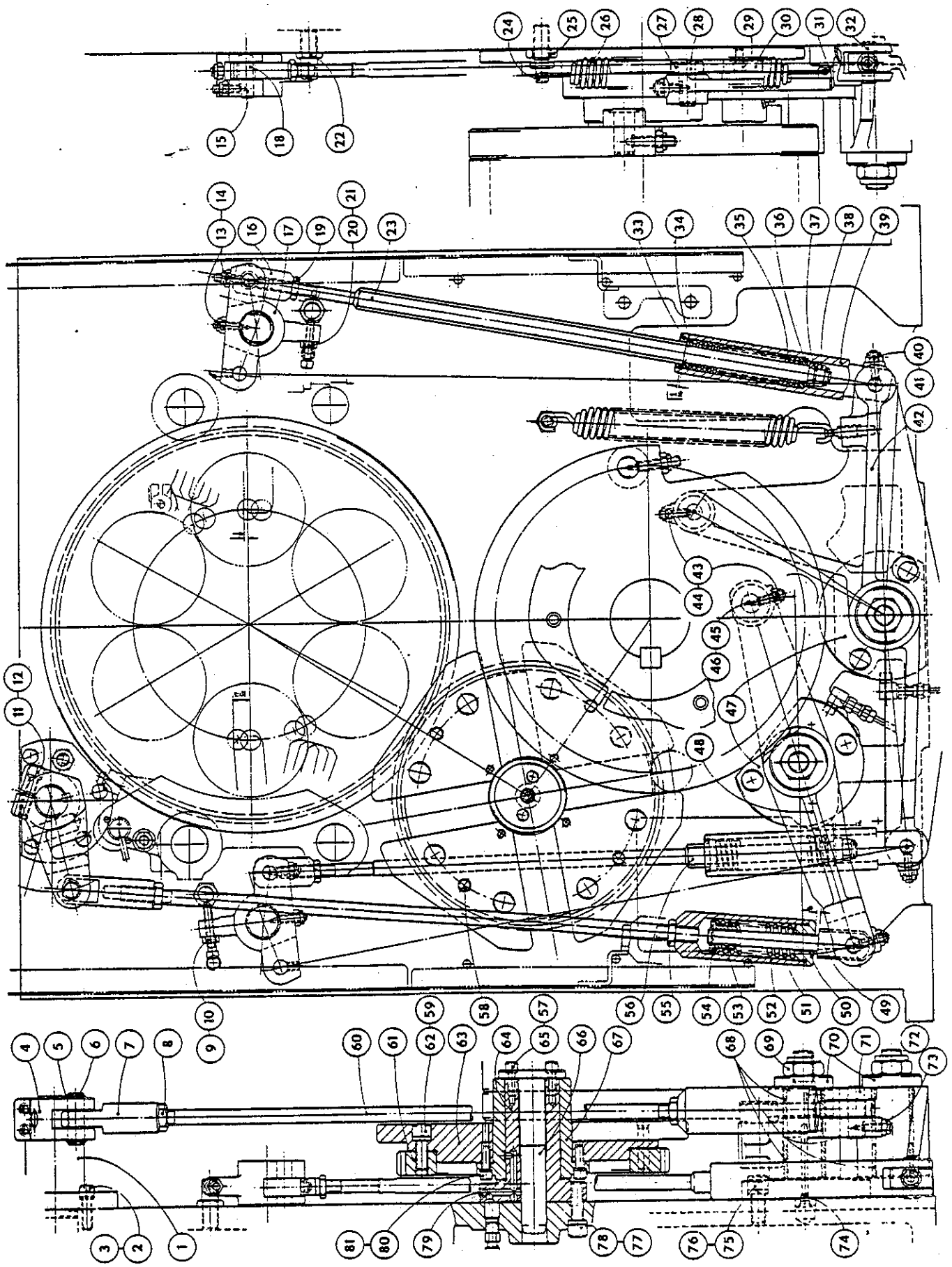


**WICKMAN
MULTI-SPINDLE
AUTOMATICS**
BAR STOP, STATIONS 3 & 6
 $\frac{3}{8}$ "—6, $\frac{3}{8}$ "—6S, $\frac{3}{8}$ "—6D MACHINES

INDEX NO.	PART NO.	TITLE	INDEX NO.	PART NO.	TITLE	INDEX NO.	PART NO.	TITLE
1	461X.138	Bearing Bracket	28	450X.129A	Roller Pin	55	173/07L	Hexagon Locknut, $\frac{1}{8}$ " B.S.F.
2	155/0516	Socket Head Cap Screw, $\frac{1}{8}$ " B.S.F. x 1" long	29	155/0408	Socket Head Cap Screw, $\frac{1}{8}$ " B.S.F. x $\frac{3}{4}$ " long	56	450X.118A	Link Rod
3	154/05	Spring Washer, $\frac{5}{16}$ " dia.	30	450V.136A	Bar Stop Cam	57	154/04	Spring Washer, $\frac{3}{8}$ " dia.
4	461X.106	Lever	31	150X.125	Spring Anchor	58	125/2220	Taper Pin, $\frac{3}{32}$ " dia. x $1\frac{1}{4}$ " long
5	355/50	Retaining Ring, External, $\frac{1}{2}$ " dia.	32	450X.138	Housing Pin	59	154/06	Spring Washer, $\frac{3}{8}$ " dia.
6	461X.125	Pin	33	356/93	Retaining Ring, Internal, $\frac{3}{8}$ " dia.	60	461X.119	Drum Locking Rod (Upper)
7	461X.121	Drum Locking Rod End	34	450X.134A	Spring Seat	61	446V.102	Geneva Wheel Gear
8	173/07L	Hexagon Locknut, $\frac{1}{8}$ " B.S.F.	35	450X.132	Bar Stop Spring	62	155/0616	Socket Head Cap Screw, $\frac{3}{8}$ " dia. x $1\frac{1}{2}$ " long
9	173/04	Hexagon Nut, $\frac{1}{8}$ " B.S.F.	36	450X.134A	Spring Seat	63	446V.101	Geneva Wheel
10	188/0424	Square Head Set Screw, $\frac{1}{8}$ " B.S.F. x $1\frac{1}{4}$ " long	37	450X.133A	Spacer	64	446X.104	Geneva Wheel Support
11	155/0520	Socket Head Cap Screw, $\frac{1}{8}$ " B.S.F. x $1\frac{1}{4}$ " long	38	203/06	Self-locking Hexagon Nut, $\frac{1}{8}$ " B.S.F.	65	155/0410	Socket Head Cap Screw, $\frac{1}{8}$ " B.S.F. x $\frac{3}{4}$ " long
12	154/05	Spring Washer, $\frac{3}{8}$ " dia.	39	450X.130A	Spring Housing	66	446X.107	Spigot
13	182/0416	Socket Set Screw, Taper Point, $\frac{1}{8}$ " B.S.F. x $1\frac{1}{2}$ " long	40	182/0416	Socket Set Screw, Taper Point, $\frac{1}{8}$ " B.S.F. x $1\frac{1}{2}$ " long	67	446X.103	Geneva Wheel Bearing
14	203/04	Hexagon Nut, Self-locking	41	203/04	Self-locking Hexagon Nut, $\frac{1}{8}$ " B.S.F.	68	236/162016	Oil Retaining Bush, $1\frac{1}{2}$ " x $1\frac{1}{4}$ " x $1\frac{1}{2}$ "
15	450X.120	Pin	42	450Y.104	Bar Stop Cam Lever	69	203/10L	Self-locking Hexagon Nut, $\frac{3}{8}$ " B.S.F.
16	450X.121	Link End	43	182/0416	Socket Set Screw, Taper Point, $\frac{1}{8}$ " B.S.F. x $1\frac{1}{2}$ " long	70	450X.107	Washer
17	450X.115	Bar Stop Lever	44	203/04	Self-locking Hexagon Nut, $\frac{1}{8}$ " B.S.F.	71	461X.139	Link Pin
18	236/070908	Oil Retaining Bush, $\frac{1}{8}$ " x $\frac{3}{8}$ " x $\frac{1}{2}$ "	45	189AX.121	Roller Pin	72	203/04	Self-locking Hexagon Nut, $\frac{1}{8}$ " B.S.F.
19	173/06L	Hexagon Locknut, $\frac{3}{8}$ " dia.	46	189AX.120	Cam Roller	73	182/0416	Socket Set Screw, Taper Point, $\frac{1}{8}$ " B.S.F. x $1\frac{1}{2}$ "
20	188/0420	Square Head Set Screw, $\frac{1}{8}$ " B.S.F. x $1\frac{1}{4}$ " long	47	461X.135	Lever Pivot	74	176/0404	Socket Set Screw, Cup Point, $\frac{1}{8}$ " B.S.F. x $\frac{3}{4}$ " long
21	173/04	Hexagon Nut, $\frac{1}{8}$ " B.S.F.	48	461V.101	Drum Locking Lever	75	155/0716	Socket Head Cap Screw, $\frac{3}{8}$ " B.S.F. x $1\frac{1}{2}$ " long
22	450X.117	Stop	49	461X.120	Drum Locking Rod	76	154/07	Spring Washer, $\frac{3}{8}$ " dia.
23	450X.116B	Link Rod	50	461X.118A	Spring Retaining Plug	77	154/06	Spring Washer, $\frac{3}{8}$ " dia.
24	450X.123	Spring Anchor	51	461X.117A	Drum Locking Spring	78	155/0620	Socket Head Cap Screw, $\frac{3}{8}$ " dia. x $1\frac{1}{2}$ "
25	173/08L	Hexagon Locknut, $\frac{1}{8}$ " B.S.F.	52	461X.116A	Spring Tube	79	176/0404	Socket Set Screw, Cup Point, $\frac{1}{8}$ " B.S.F. x $\frac{3}{4}$ " long
26	150X.122B	Cam Lever Spring	53	461X.122A	Spring Retaining Nut	80	155/0412	Socket Head Cap Screw, $\frac{1}{8}$ " B.S.F. x $\frac{3}{4}$ " long
27	450X.128A	Cam Roller	54	326/0312	Tension Pin, $\frac{3}{32}$ " dia. x $\frac{3}{4}$ " long	81	154/04	Spring Washer, $\frac{3}{8}$ " dia.

List of Parts for
PLATE No. 27
 (Drawing No. 446Z1)

WHEN ORDERING SPARE PARTS ALWAYS QUOTE THE SERIAL NUMBER OF THE MACHINE



FRONT AND REAR BAR STOP

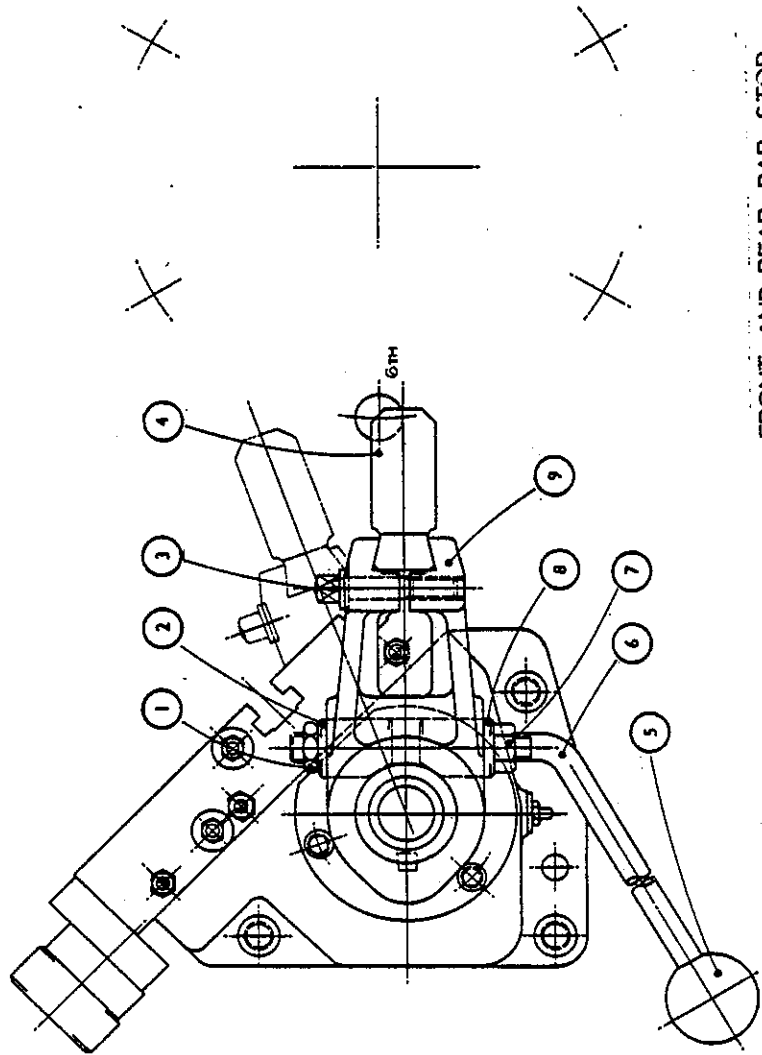
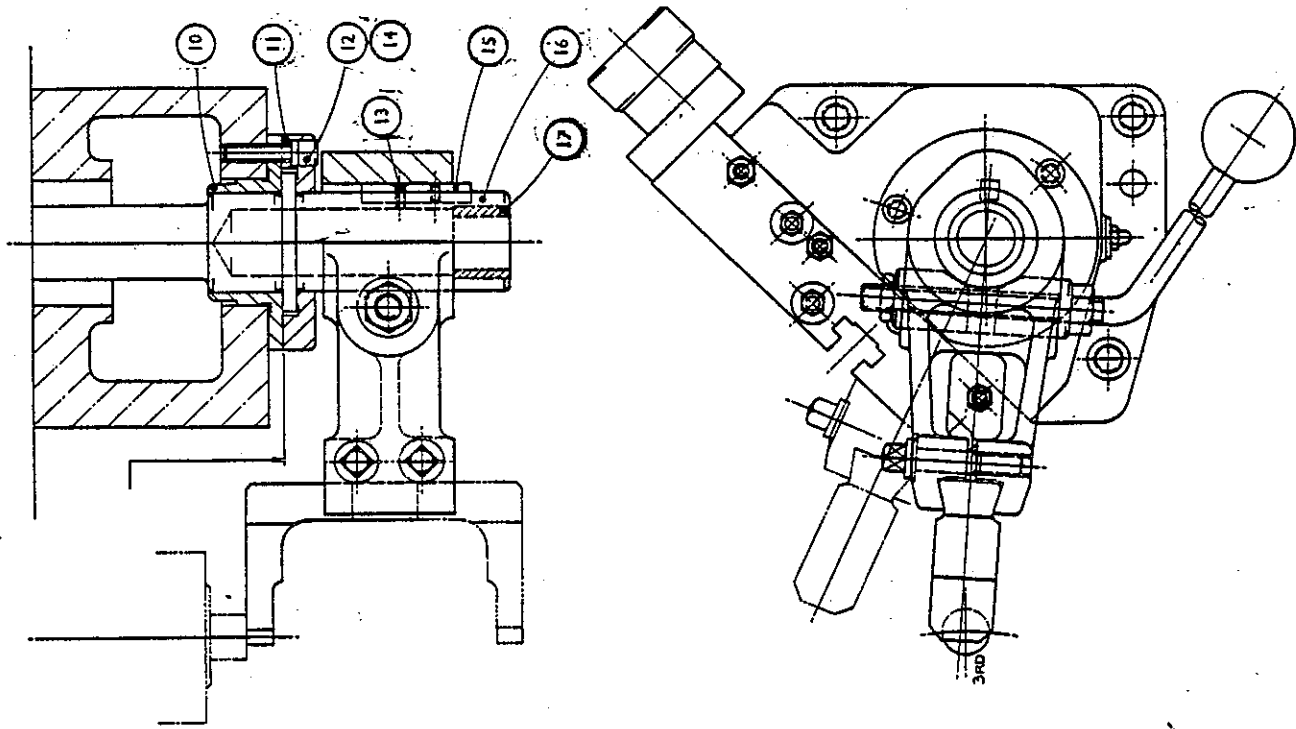
5/8"-6, 5/8"-6S MACHINES

WICKMAN
MULTI-SPINDLE
AUTOMATICS

INDEX NO.	PART NO.	TITLE
1	173/06L	Hexagon Lock nut, 3/8" B.S.F.
2	128/6T	Pad Bush, 13/16" dia. x 1" long
3	195/0524	Collar Head Screw (Naylor), 5/16" B.S.F. x 1.1/2" long
4	450X109	Bar Stop
5	241/9	Bakelite Knob, 1.1/4" dia., 3/8" B.S.F.
6	450X131	Bar Stop Hand Lever
7	173/06	Hexagon Nut, 3/8" B.S.F.
8	128/6C	Pad Bush, 13/16" dia. x 1" long
9	450V108	Bar Stop Arm
10	450 X113A	Bush
11	450X114A	Retaining Cap
12	155/0416	Socket Head Cap Screw, 1/4" B.S.F. x 1" long
13	162/605	Countersunk Screw, 6 B.A. x 5/16" long
14	154/04	Spring Washer, 1/4" dia.
15	450X111	Key
16	450X112A	Bar Stop Shaft
17	325/12DU12	Dry Bearing, P.T.F.E., 3/4" x 7/8" x 3/4"

List of Parts for
PLATE No. 27A
(Drawing No. 450Y1)

WHEN ORDERING SPARE PARTS ALWAYS QUOTE THE INSPECTION NUMBER OF THE MACHINE



FRONT AND REAR BAR STOP 450 Y.I.

WICKMAN
MULTI-SPINDLE
AUTOMATICS

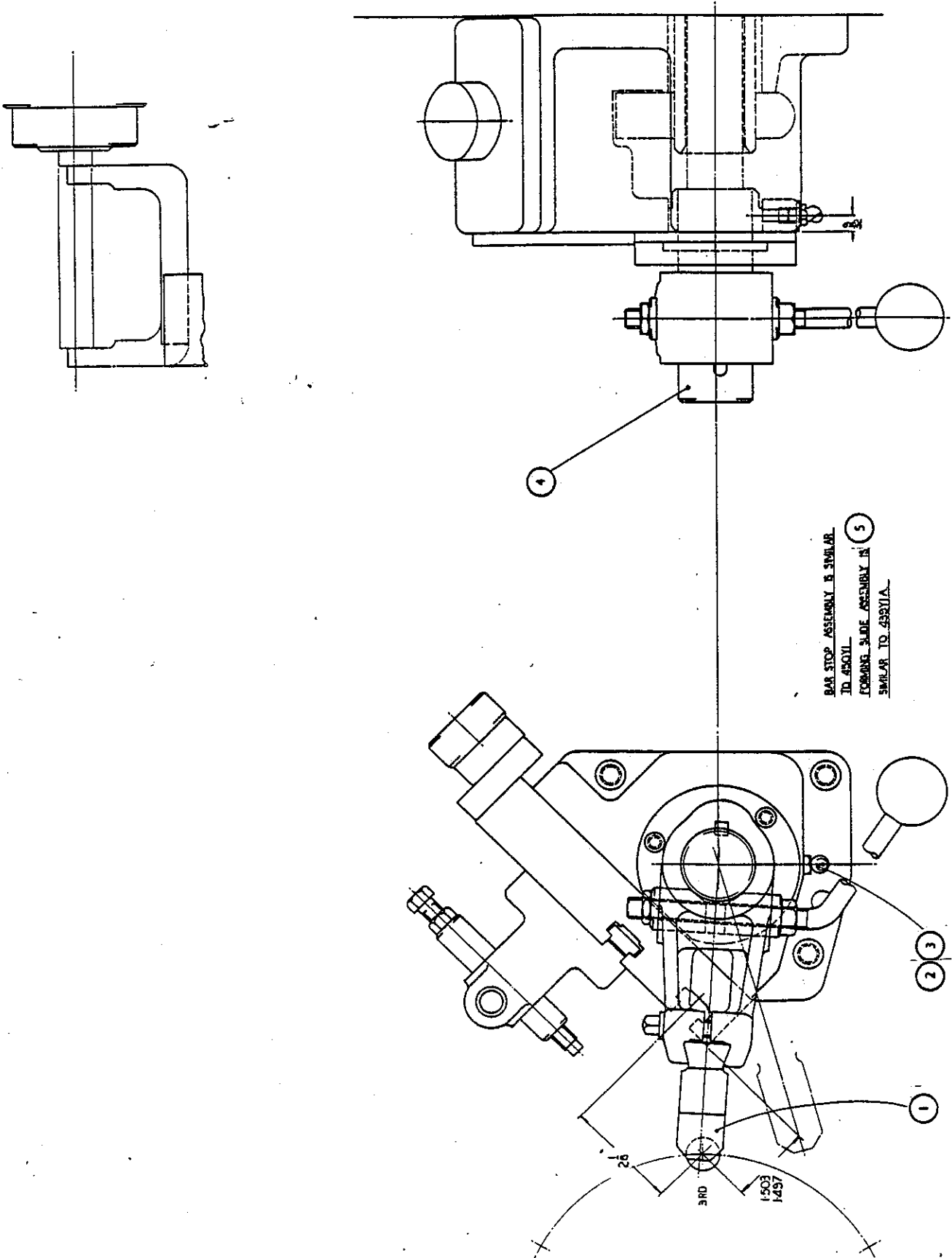
BAR STOP WITH FORMING SLIDE IN 3RD STATION

5/8"-6D MACHINE

INDEX NO.	PART NO.	TITLE
1	451X109	Bar Stop
2	210/1725	Yellow Washer
3	212/4504	Nipple, 45°, 1/4" B.S.F.
4	451V112	Bar Stop Shaft
5	—	Bar Stop Assembly is Similar to 450Y1. Forming Slide Assembly is Similar to 439Y1A

List of Parts for
PLATE No. 27B
(Drawing No. 451Y1)

WHEN ORDERING SPARE PARTS ALWAYS QUOTE THE INSPECTION NUMBER OF THE MACHINE



BAR STOP WITH FORMING SLIDE IN 3RD STATION 451Y1

WICKMAN
MULTI-SPINDLE
AUTOMATICS

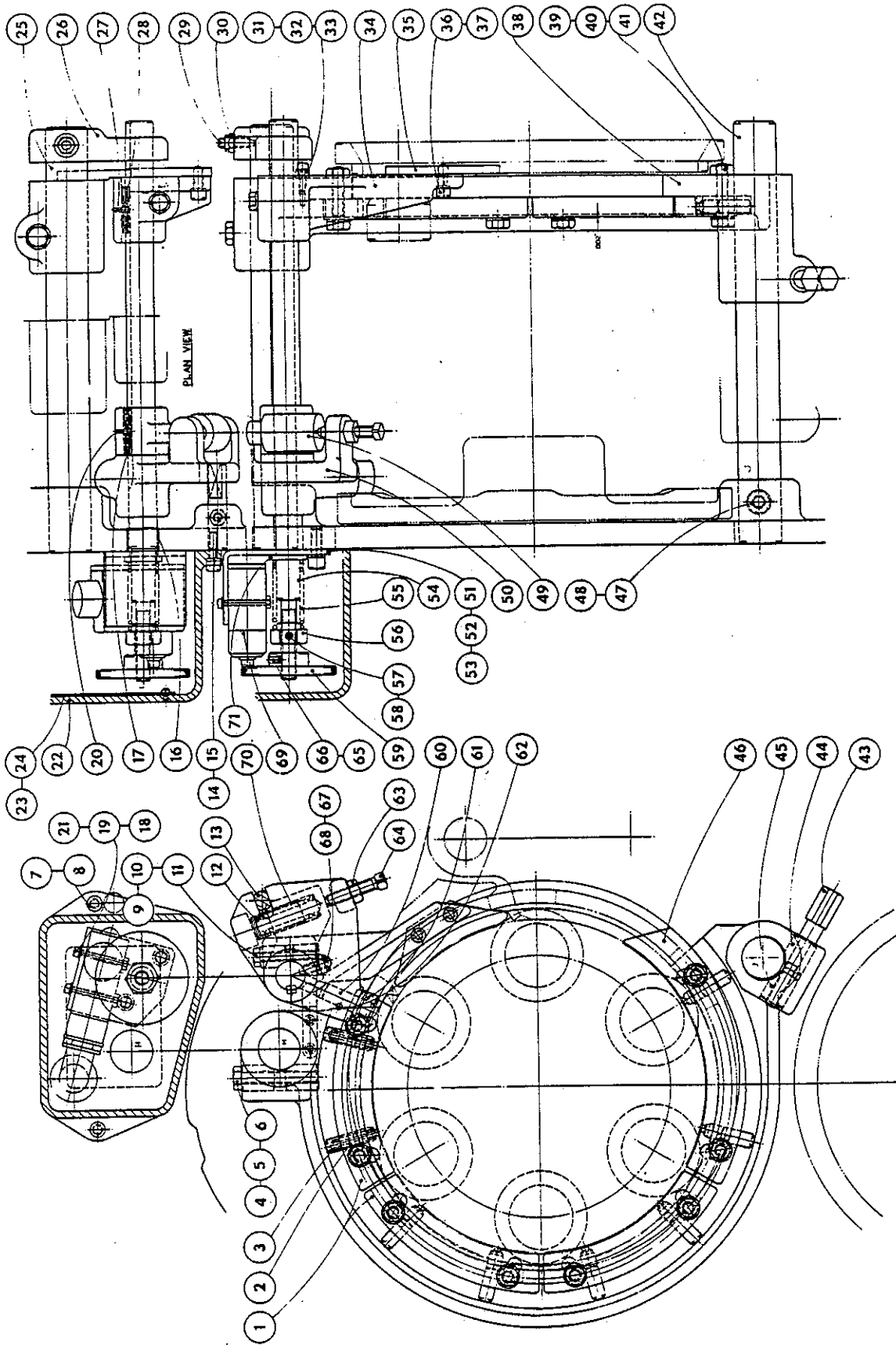
AUTOMATIC STOP, FRONT

$\frac{1}{2}$ " - 6, $\frac{3}{4}$ " - 6S MACHINES

INDEX NO.	PART NO.	TITLE	INDEX NO.	PART NO.	TITLE
1	453X.134	Aligning Plate	36	155/0410	Socket Head Cap Screw, $\frac{1}{4}$ " B.S.F. x $\frac{5}{16}$ " long
2	145/107	Compression Spring	37	154/04	Spring Washer, $\frac{1}{4}$ " dia.
3	453X.124	Plunger	38	453Y.120	Aligning Plate Carrier
4	128/5T	Pad Bush	39	169/0524	Hexagon Head Set Screw, High Tensile, 5/16" B.S.F. x $1\frac{1}{2}$ " long
5	128/5C	Pad Bush	40	130/05	Washer, 5/16" dia.
6	169/0532	Hexagon Head Set Screw, High Tensile, 5/16" B.S.F. x 2" long	41	173/05	Hexagon Nut, 5/16" B.S.F.
7	155/0408	Socket Head Cap Screw, $\frac{1}{4}$ " B.S.F. x $\frac{1}{2}$ " long	42	453X.140	Guide Bar
8	154/04	Spring Washer, $\frac{1}{4}$ " dia.	43	453X.123	Pad Bolt
9	128/4C	Pad Bush	44	128/5C	Pad Bush
10	128/4T	Pad Bush	45	128/5T	Pad Bush
11	169/0424	Hexagon Head Set Screw, High Tensile, $\frac{1}{4}$ " B.S.F. x $1\frac{1}{2}$ " long	46	453V.133	Aligning Plate
12	453X.127	Spring	47	203/05	Self-locking Nut, 5/16" B.S.F.
13	453X.153	Peg	48	182/0516	Socket Set Screw, Taper Point, 5/16" B.S.F.
14	203/04	Self-locking Nut, $\frac{1}{4}$ " B.S.F.	49	453X.126	Spring Lever
15	182/0412	Socket Set Screw, Taper Point, $\frac{1}{4}$ " B.S.F.	50	453V.129	Cam Roller Bracket
16	236/121410	Oil Retaining Bush, $\frac{3}{4}$ " x $\frac{7}{8}$ " x $\frac{5}{16}$ " long	51	453X.119D	Switch Bracket
17	453X.131	Key	52	154/04	Spring Washer, $\frac{1}{4}$ " dia.
18	198/2	Lockwasher, 2 B.A.	53	155/0412	Socket Head Cap Screw, $\frac{1}{4}$ " B.S.F. x $\frac{3}{4}$ " long
19	174/2	Hexagon Nut, 2 B.A.	54	453X.141A	Trip Shaft
20	326/0307	Tension Pin, 3/32" dia. x 7/16" long	55	453X.160A	Compression Spring
21	156/220	Socket Head Cap Screw, 2 B.A. x $1\frac{1}{2}$ " long	56	453X.156A	Spring Abutment
22	453V.128	Cover for Trip Bracket	57	153/42	Soft Pad for 2 B.A.
23	165/406	Round Head Set Screw, 4 B.A. x $\frac{3}{8}$ " long	58	179/204	Socket Set Screw, 2 B.A. x $\frac{1}{4}$ " long
24	472X.143	Auto Stop Setting Plate	59	453X.118	Trip Disc
25	453X.140	Guide Bar	60	119X.133	Roller Pin
26	453X.132	Support Arm	61	119X.194	Roller
27	326/0307	Tension Pin, 3/32" dia. x 7/16" long	62	326/0516	Tension Pin, 5/32" dia. x 1" long
28	453X.131	Key	63	173/05	Hexagon Nut, 5/16" B.S.F.
29	182/0416	Socket Set Screw, Taper Point, $\frac{1}{4}$ " B.S.F.	64	188/0524	Square Head Set Screw, 5/16" B.S.F. x $1\frac{1}{2}$ " long
30	203/04	Self-locking Nut, $\frac{1}{4}$ " B.S.F.	65	153/42	Soft Pad for 2 B.A.
31	156/210	Socket Head Cap Screw, 2 B.A. x $\frac{5}{8}$ " long	66	179/204	Socket Set Screw, 2 B.A. x $\frac{1}{4}$ " long
32	154/03	Spring Washer, 3/16" dia.	67	203/04	Self-locking Nut, $\frac{1}{4}$ " B.S.F.
33	453X.115	Key	68	182/0414	Socket Set Screw, Taper Point, $\frac{1}{4}$ " B.S.F.
34	453V.121	Pusher Bracket	69	BZE7-2RN-B	Honeywell Microswitch
35	453X.146	Pusher Plate	70	453X.130	Plunger
			71	453X.145	Washer

List of Parts for
PLATE No.28
(Drawing No.463Z1)

WHEN ORDERING SPARE PARTS ALWAYS QUOTE THE SERIAL NUMBER OF THE MACHINE



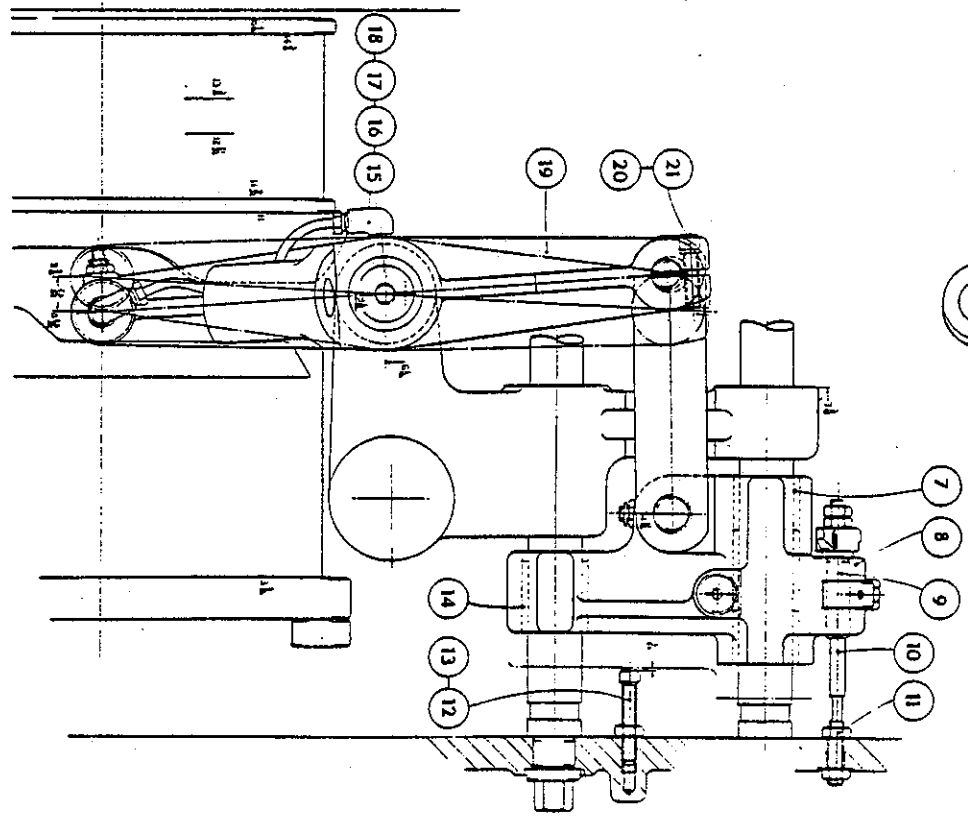
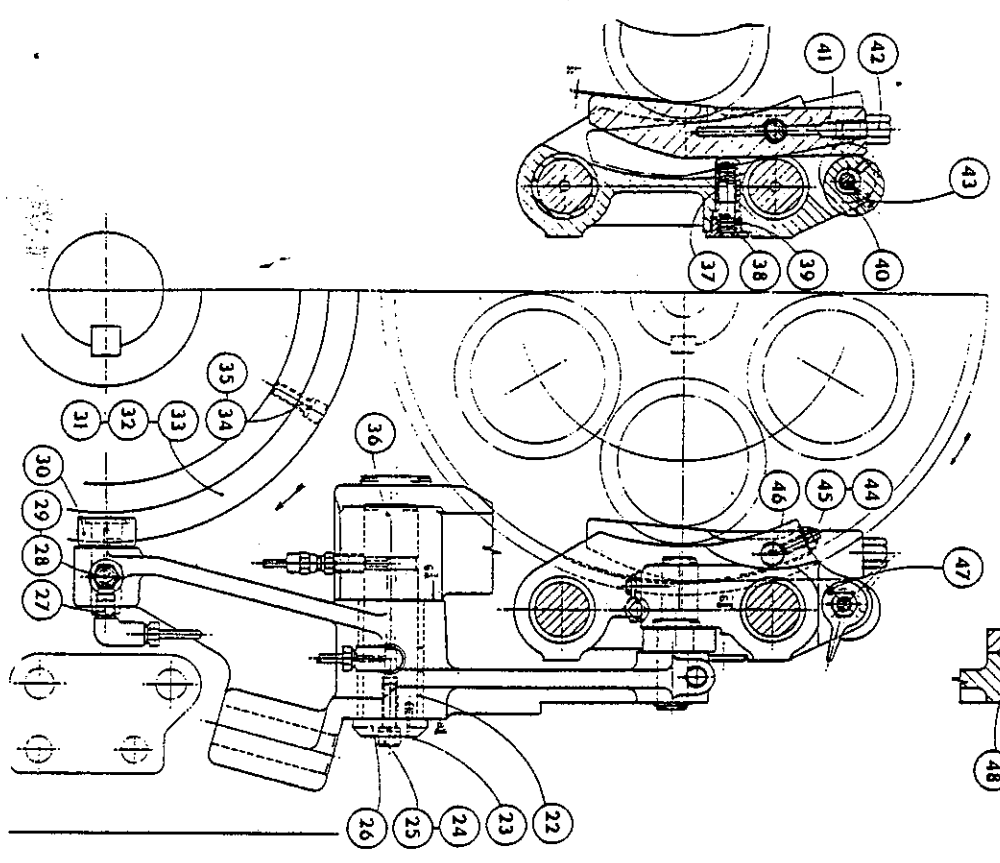
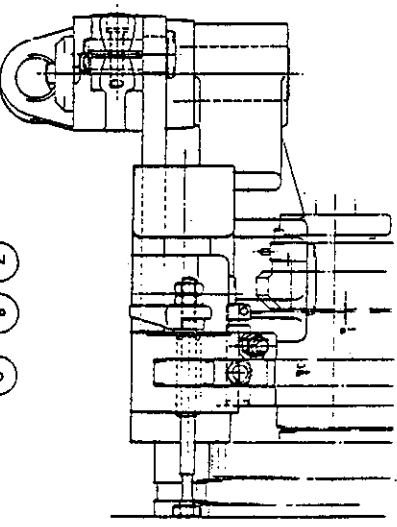
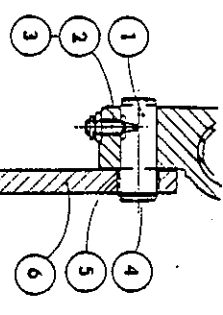
WICKMAN
MULTI-SPINDLE
AUTOMATICS

AUTOMATIC STOP, FRONT AND REAR
5/8" -6D MACHINE

INDEX NO.	PART NO.	TITLE
1	453V.133	Aligning Plate
2	454Y.123	Upper Aligning Plate Carrier
3	454V.139	Upper Guide Bar
4	454X.127	Key
5	326/0408	Tension Pin, 1/8" dia. x 1/2" long
6	154/04	Spring Washer, 1/2" dia.
7	155/0412	Socket Head Cap Screw, 1/2" B.S.F. x 3/4" long
8	125/1616	Taper Pin, 1/2" dia. x 1" long
9	453V.133	Aligning Plate
10	454Y.124	Lower Aligning Plate Carrier
11	454V.140	Lower Guide Bar
12	454X.127	Key
13	326/0408	Tension Pin, 1/8" dia. x 1/2" long
14	155/0412	Socket Head Cap Screw, 1/2" B.S.F. x 3/4" long
15	154/04	Spring Washer, 1/2" dia.
16	125/1616	Taper Pin, 1/2" dia. x 1" long

List of Parts for
PLATE No. 29
(Drawing No. 454Z1)

WHEN ORDERING SPARE PARTS ALWAYS QUOTE THE SERIAL NUMBER OF THE MACHINE

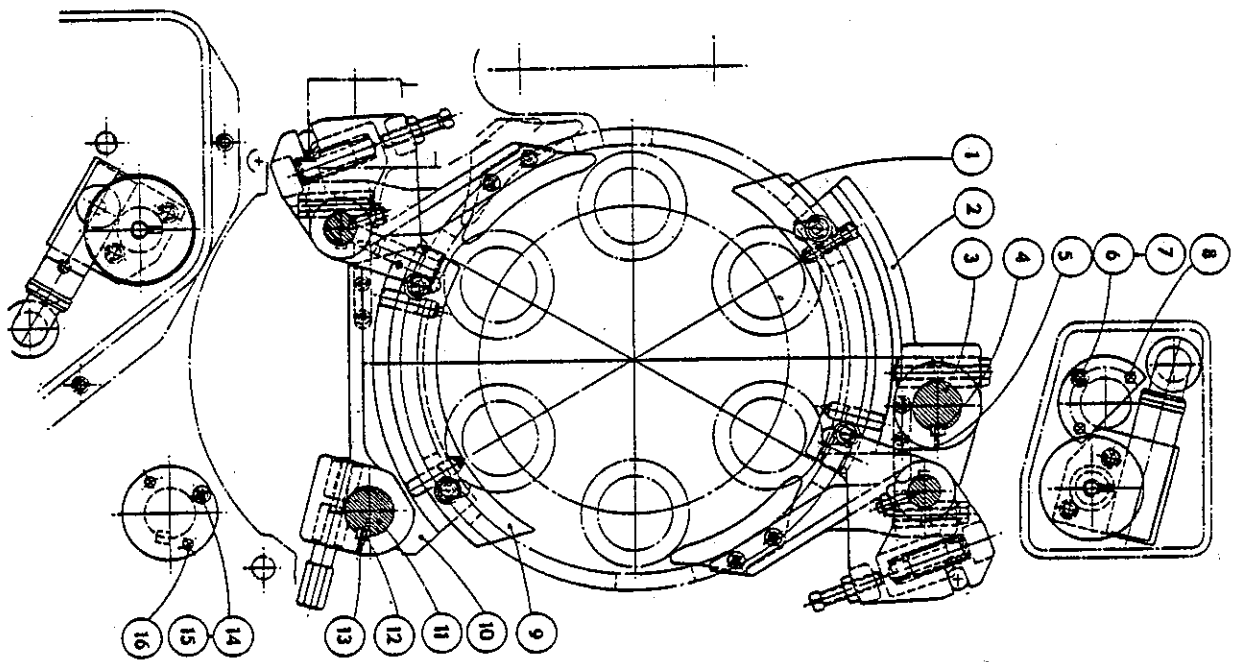
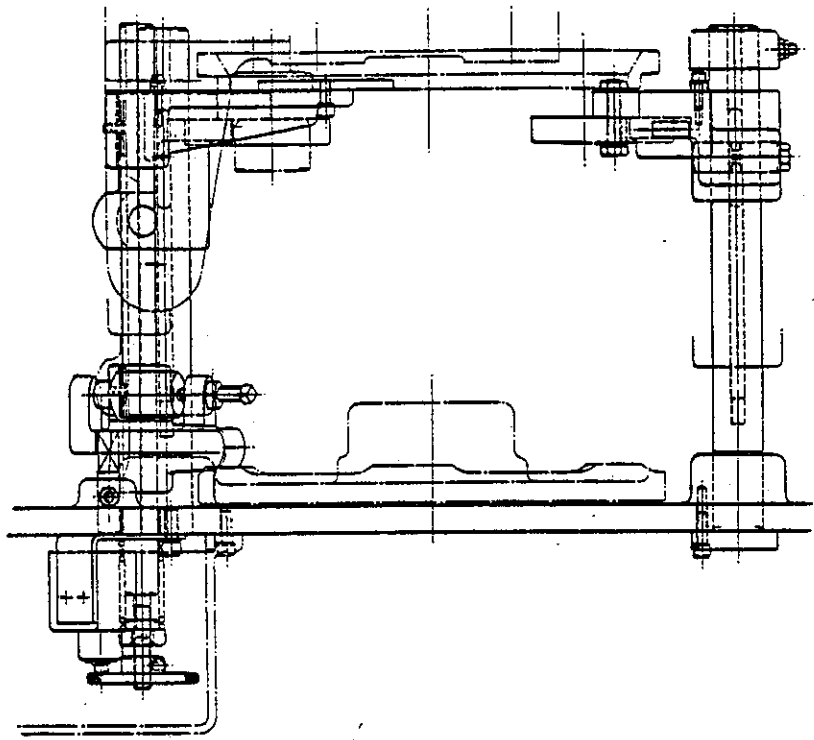


COLLET OPERATION, REAR
3/8"-6D MACHINE

INDEX NO.	PART NO.	TITLE	INDEX NO.	PART NO.	TITLE
1	456X.110	Shoe Pin	26	456V.171A	Collet Opening Cam
2	173/05DH	Hexagon Nut, Hardened, 3/8" B.S.F.	27	154/05	Spring Washer, 3/8" dia.
3	456X.131A	Stop Rod	28	155/0514	Socket Head Cap Screw, 3/8" B.S.F. X 1/2" long
4	188/0528	Square Head Set Screw, 3/8" B.S.F. X 1/2" long	29	326/0408	Tension Pin, 1/8" dia. X 1/2" long
5	457X.114	Pivot Lever	30	182/0440	Socket Set Screw, Taper Point, 1/8" B.S.F. X 2 1/2" long
6	236/182218	Oil Retaining Bush, 1 1/8" X 1 1/8" X 1 1/8" long	31	203/04	Self-locking Nut, 1/2" B.S.F.
7	155/0516	Socket Head Cap Screw, 3/8" B.S.F. X 1" long	32	182/0516	Socket Set Screw, Taper Point, 3/8" B.S.F. X 1" long
8	154/05	Spring Washer, 3/8" dia.	33	203/05L	Self-locking Nut, Thin, 3/8" B.S.F.
9	355/75	Retaining Ring, External, 3/8" dia.	34	456Y.105	Collet Operating Lever
10	456X.132	Link Pin	35	236/182216	Oil Retaining Bush, 1 1/8" X 1 1/8" X 1" long
11	325/12DU08	Glacier Bush, 3/8" X 3/8" X 1/2" long	36	326/0310	Tension Pin, 3/32" dia. X 3/8" long
12	457X.104	Collet Operating Link	37	458X.122	Retaining Cap
13	325/12DU08	Glacier Bush, 3/8" X 3/8" X 1/2" long	38	155/0516	Socket Head Cap Screw, 3/8" B.S.F. X 1" long
14	456X.133	Eccentric Pin	39	154/05	Spring Washer, 3/8" dia.
15	355/62	Retaining Ring, External, 3/8" dia.	40	456X.109	Collet Lever Pivot
16	418X.141A	Spring Retaining Plug	41	456X.107	Roller Pin
17	457Z.101A	Rear Collet Operating Slide	42	289X.120	Roller
18	182/0410	Socket Set Screw, Taper Point, 1/8" B.S.F. X 3/8" long	43	203/05	Self-locking Nut, 3/8" B.S.F.
19	456X.130B	Eccentric Plate	44	182/0520	Socket Set Screw, Taper Point, 3/8" B.S.F. X 1 1/2" long
20	457X.113	Collet Operating Sleeve	45	225/3035	Copper Tube, 3/8" dia. X 6" long
21	168X.156	Adaptor	46	221/3	Enots Tubing Sleeve, 3/8" Tube
22	456X.128A	Plunger Spring	47	219/17	Enots Male Elbow, 3/8" Tube
23	456X.106	Plunger	48	215/3	Enots Tubing Nut, 3/8" Tube
24	456V.173B	Collet Closing Cam	49	236/182224	Oil Retaining Bush, 1 1/8" X 1 1/8" X 1 1/8" long
25	456V.172A	Collet Guard Cam			

List of Parts for
PLATE No. 31
(Drawing No. 457Z1A)

WHEN ORDERING SPARE PARTS ALWAYS QUOTE THE SERIAL NUMBER OF THE MACHINE



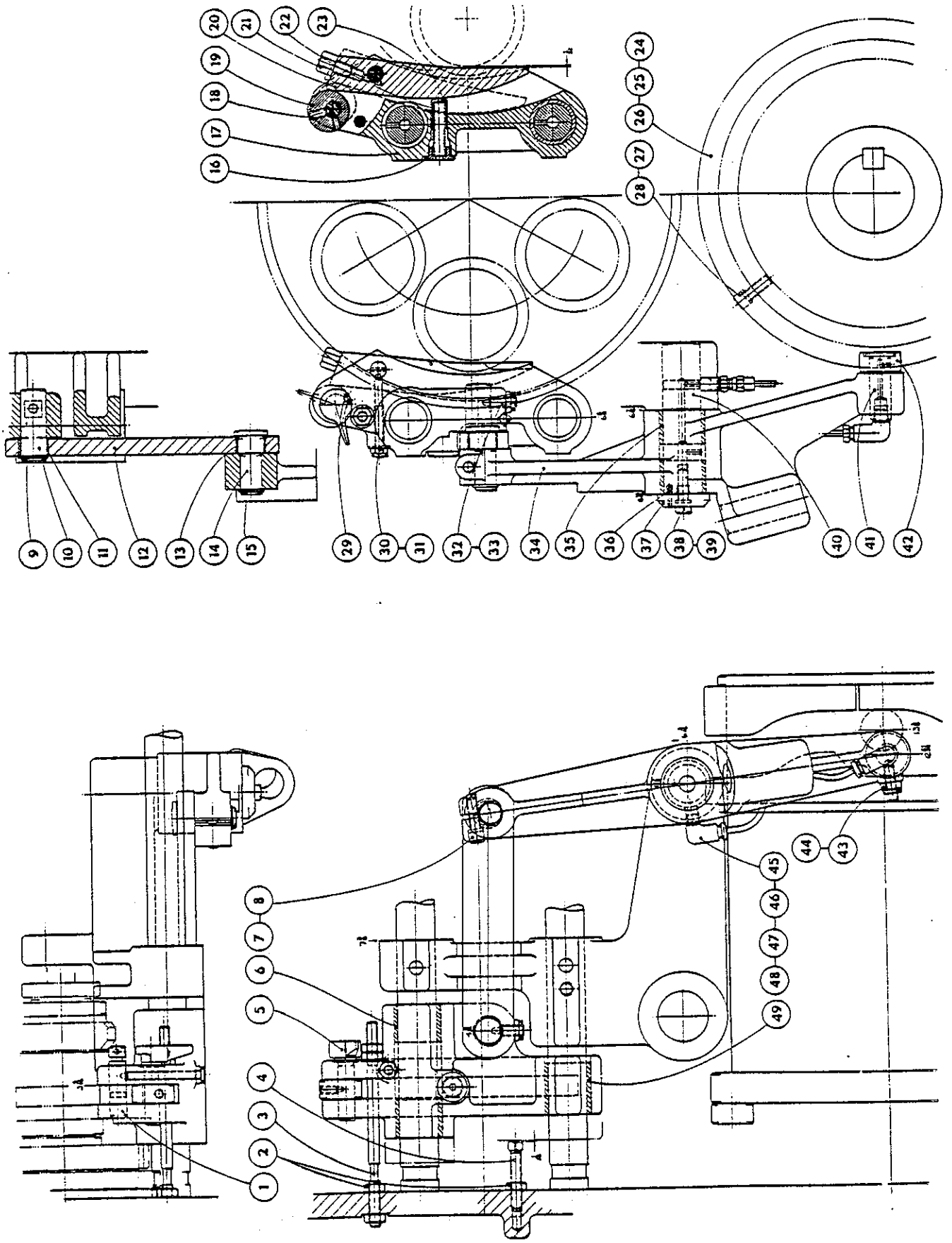
WICKMAN
MULTI-SPINDLE
AUTOMATICS

COLLET OPERATION, FRONT
 $\frac{3}{8}$ "—6, $\frac{3}{8}$ "—6S, $\frac{3}{8}$ "—6D MACHINES

INDEX NO.	PART NO.	TITLE	INDEX NO.	PART NO.	TITLE
1	456X.132	Link Pin	26	458X.122	Retaining Cap
2	182/0516	Socket Set Screw, Taper Point, $\frac{3}{8}$ " B.S.F. X 1" long	27	456X.107	Roller Pin
3	203/05L	Self-locking Nut, Thin, $\frac{3}{8}$ " B.S.F.	28	182/0520	Socket Set Screw, Taper Point, $\frac{3}{8}$ " B.S.F. X 1 $\frac{1}{4}$ " long
4	355/75	Retaining Ring, External, $\frac{3}{4}$ "	29	203/05	Self-locking Nut, $\frac{3}{8}$ " B.S.F.
5	325/DU08	Glacier Bush, $\frac{3}{4}$ " X $\frac{1}{4}$ " X $\frac{1}{2}$ " long	30	289X.120	Roller
6	456X.104	Collet Operating Link	31	456V.173B	Collet Closing Cam
7	236/182218	Oil Retaining Bush, 1 $\frac{1}{2}$ " X 1 $\frac{1}{2}$ " X 1 $\frac{1}{2}$ " long	32	456V.172A	Collet Guard Cam
8	456Z.101A	Front Collet Operating Slide	33	456V.171A	Collet Opening Cam
9	456X.114B	Pivot Sleeve	34	154/05	Spring Washer, $\frac{3}{8}$ " dia.
10	456X.131A	Stop Rod	35	155/0514	Socket Head Cap Screw, $\frac{3}{8}$ " B.S.F. X $\frac{1}{2}$ " long
11	173/05DH	Hexagon Nut, Hardened, $\frac{3}{8}$ " B.S.F.	36	456X.109	Collet Lever Pivot
12	188/0528	Square Head Set Screw, $\frac{3}{8}$ " B.S.F. X 1 $\frac{1}{4}$ " long	37	456X.106	Plunger
13	173/05DH	Hexagon Nut, Hardened, $\frac{3}{8}$ " B.S.F.	38	456X.128A	Plunger Spring
14	236/182224	Oil Retaining Bush, 1 $\frac{1}{2}$ " X 1 $\frac{1}{2}$ " X 1 $\frac{1}{2}$ " long	39	418X.141A	Spring Retaining Plug
15	219/17	Enots Male Elbow, $\frac{1}{8}$ " Tube	40	456X.130B	Eccentric Plate
16	215/3	Enots Tubing Nut, $\frac{3}{8}$ " Tube	41	456X.113	Collet Operating Shoe
17	221/3	Enots Tubing Sleeve, $\frac{3}{8}$ " Tube	42	168X.156	Adaptor
18	225/3035	Copper Tube, $\frac{3}{8}$ " dia., 6" long	43	182/0408	Socket Set Screw, Taper Point, $\frac{1}{4}$ " B.S.F. X $\frac{1}{2}$ " long
19	456Y.105	Collet Operating Lever	44	203/04	Self-locking Nut, $\frac{1}{2}$ " B.S.F.
20	154/05	Spring Washer, $\frac{3}{8}$ " dia.	45	182/0416	Socket Set Screw, Taper Point, $\frac{1}{4}$ " B.S.F. X 1" long
21	155/0520	Socket Head Cap Screw, $\frac{3}{8}$ " B.S.F. X 1 $\frac{1}{4}$ " long	46	456X.110	Shoe Pin
22	236/182216	Oil Retaining Bush, 1 $\frac{1}{2}$ " X 1 $\frac{1}{2}$ " X 1" long	47	326/0408	Tension Pin, $\frac{1}{8}$ " dia. X $\frac{1}{2}$ " long
23	326/0310	Tension Pin, $\frac{3}{32}$ " dia. X $\frac{1}{8}$ " long	48	456X.133	Eccentric Pin
24	154/05	Spring Washer, $\frac{3}{8}$ " dia.	49	355/62	Retaining Ring, External, $\frac{3}{4}$ "
25	155/0516	Socket Head Cap Screw, $\frac{3}{8}$ " B.S.F. X 1" long			

List of Parts for
PLATE No. 30
(Drawing No. 456Z1A)

WHEN ORDERING SPARE PARTS ALWAYS QUOTE THE SERIAL NUMBER OF THE MACHINE



**WICKMAN
MULTI-SPINDLE
AUTOMATICS**

BAR FEED

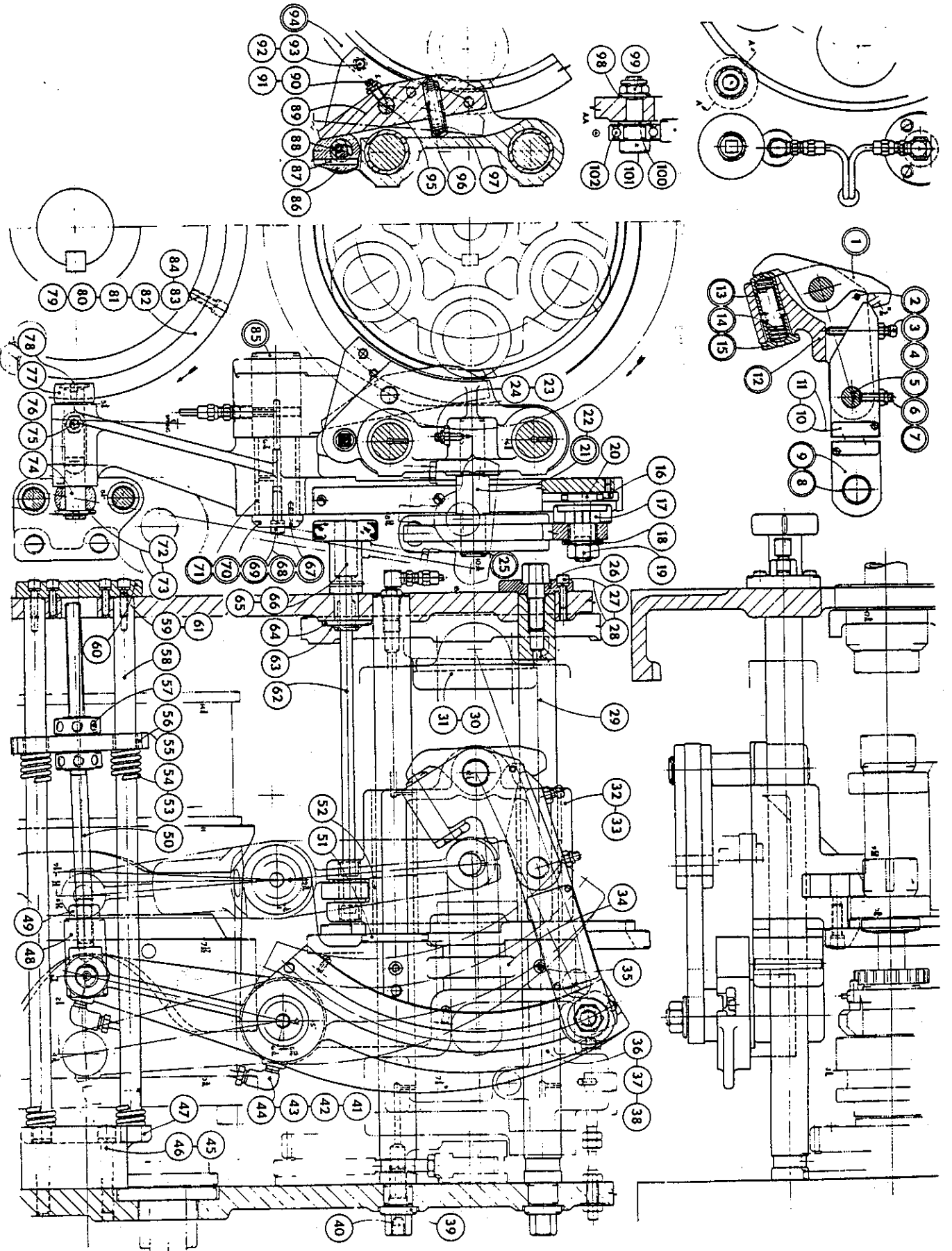
5/8" - 6, 5/8" - 6S, 5/8" - 6D MACHINES

INDEX PART NO.	TITLE	INDEX PART NO.	TITLE	INDEX PART NO.	TITLE
1	458X.156 Latch	69	155/0616 Socket Head Cap Screw, 5/16" B.S.F. x 1" long	69	155/0616 Socket Head Cap Screw, 5/16" B.S.F. x 1" long
2	326/0618 Tension Pin, 3/16" dia. x 1 1/2" long	70	458X.122 Retaining Cap	70	458X.122 Retaining Cap
3	188/0432 Square Head Set Screw, 1/4" B.S.F. x 2" long	71	236/182216 Oil Retaining Bush, 1 1/8" x 1 3/8" x 1" long	71	236/182216 Oil Retaining Bush, 1 1/8" x 1 3/8" x 1" long
4	173/04DH Hexagon Nut, Double Chamfer, Hardened, 1/4" B.S.F.	72	130/10 Plain Washer, 5/8" dia.	72	130/10 Plain Washer, 5/8" dia.
5	458X.167 Pin	73	355/62 Retaining Ring, External, 5/8" dia.	73	355/62 Retaining Ring, External, 5/8" dia.
6	182/0420 Hexagon Socket Set Screw, Taper Point, 1/4" B.S.F. x 1 1/4" long	74	458X.160 Cam Roller Pin	74	458X.160 Cam Roller Pin
7	203/04 Self-locking Hexagon Nut, 1/4" B.S.F.	75	182/0520 Hexagon Socket Set Screw, Taper Point, 5/16" B.S.F. x 1 1/4" long	75	182/0520 Hexagon Socket Set Screw, Taper Point, 5/16" B.S.F. x 1 1/4" long
8	325/12DU08 "P.T.F.E." Bush, 3/4" x 7/8" x 1/2" long	76	203/05 Self-locking Hexagon Nut, 5/16" B.S.F.	76	203/05 Self-locking Hexagon Nut, 5/16" B.S.F.
9	458X.159 Bar Feed Link	77	289X.120 Roller	77	289X.120 Roller
10	472X.107 Instruction Plate	78	176/0404 Hexagon Socket Set Screw, Cup Point, 1/4" B.S.F. x 1/2" long	78	176/0404 Hexagon Socket Set Screw, Cup Point, 1/4" B.S.F. x 1/2" long
11	165/404 Round Head Set Screw, 4 B.A. x 1/4" long	79	458V.172A Bar Feed, Return Cam, 3 1/2" Stroke	79	458V.172A Bar Feed, Return Cam, 3 1/2" Stroke
12	458V.157 Link Block	80	458V.171A Bar Feed, Forward Cam, 3 1/2" Stroke	80	458V.171A Bar Feed, Forward Cam, 3 1/2" Stroke
13	458X.130 Plunger	81	458V.174A Bar Feed, Return Cam, 2" Stroke	81	458V.174A Bar Feed, Return Cam, 2" Stroke
14	58X.129B Compression Spring	82	458V.173A Bar Feed, Forward Cam, 2" Stroke	82	458V.173A Bar Feed, Forward Cam, 2" Stroke
15	458X.131 Spring Retaining Cap	83	155/0614 Socket Head Cap Screw, 5/16" B.S.F. x 7/8" long	83	155/0614 Socket Head Cap Screw, 5/16" B.S.F. x 7/8" long
16	156/204 Socket Head Cap Screw, 2 B.A. x 1/4" long	84	154/05 Spring Washer, 5/16" dia.	84	154/05 Spring Washer, 5/16" dia.
17	458X.127 Outer Link Pivot	85	458X.114 Pivot Pin	85	458X.114 Pivot Pin
18	458X.137 Slotted Washer	86	458X.141A Bar Feed Shoe Stop	86	458X.141A Bar Feed Shoe Stop
19	173/08DH Hexagon Nut, Double Chamfer, Hardened, 1/4" B.S.F.	87	326/0616 Tension Pin, 3/16" dia. x 1" long	87	326/0616 Tension Pin, 3/16" dia. x 1" long
20	458X.108 Pivot Bolt	88	458X.145A Bush	88	458X.145A Bush
21	458X.123 Inner Link Pivot	89	458X.106A Bar Feed Shoe	89	458X.106A Bar Feed Shoe
22	458X.133 Inner Link Pivot	90	182/0414 Hexagon Socket Set Screw, Taper Point, 1/4" B.S.F. x 1/2" long	90	182/0414 Hexagon Socket Set Screw, Taper Point, 1/4" B.S.F. x 1/2" long
23	203/04 Self-locking Hexagon Nut, 1/4" B.S.F.	91	203/04 Self-locking Hexagon Nut, 1/4" B.S.F.	91	203/04 Self-locking Hexagon Nut, 1/4" B.S.F.
24	182/0416 Hexagon Socket Set Screw, Taper Point, 1/4" B.S.F. x 1" long	92	154/05 Spring Washer, 5/16" dia.	92	154/05 Spring Washer, 5/16" dia.
25	355/75 Retaining Ring, External, 3/4" dia.	93	155/0616 Socket Head Cap Screw, 5/16" B.S.F. x 1" long	93	155/0616 Socket Head Cap Screw, 5/16" B.S.F. x 1" long
26	458X.111 End Cap	94	458V.158 Thrust Ring	94	458V.158 Thrust Ring
27	155/0412 Socket Head Cap Screw, 1/4" B.S.F. x 1 1/4" long	95	458X.106 Bar Feed Shoe Pin	95	458X.106 Bar Feed Shoe Pin
28	154/04 Spring Washer, 1/4" dia.	96	458X.124 Plunger	96	458X.124 Plunger
29	458X.113 Guide Bar	97	458X.125 Compression Spring	97	458X.125 Compression Spring
30	125/3256 Taper Pin, 1/4" dia. x 3 1/4" long	98	130/08 Plain Washer, 1/2" dia.	98	130/08 Plain Washer, 1/2" dia.
31	458V.150B Driving Disc	99	203/08 Self-locking Hexagon Nut, 1/4" B.S.F.	99	203/08 Self-locking Hexagon Nut, 1/4" B.S.F.
32	458Z.101 Bar Feed Slide	100	130/08 Plain Washer, 1/2" dia.	100	130/08 Plain Washer, 1/2" dia.
		101	458X.164 Eccentric Roller Pin	101	458X.164 Eccentric Roller Pin
		102	280/17 Ball Journal, Double Seals, 17 x 40 x 12mm	102	280/17 Ball Journal, Double Seals, 17 x 40 x 12mm

NOTE: When Rear Bar Feed is fitted, parts shown in double circles are not required.

List of Parts for
PLATE No.32
(Drawing No.45821)

WHEN ORDERING SPARE PARTS ALWAYS QUOTE THE SERIAL NUMBER OF THE MACHINE



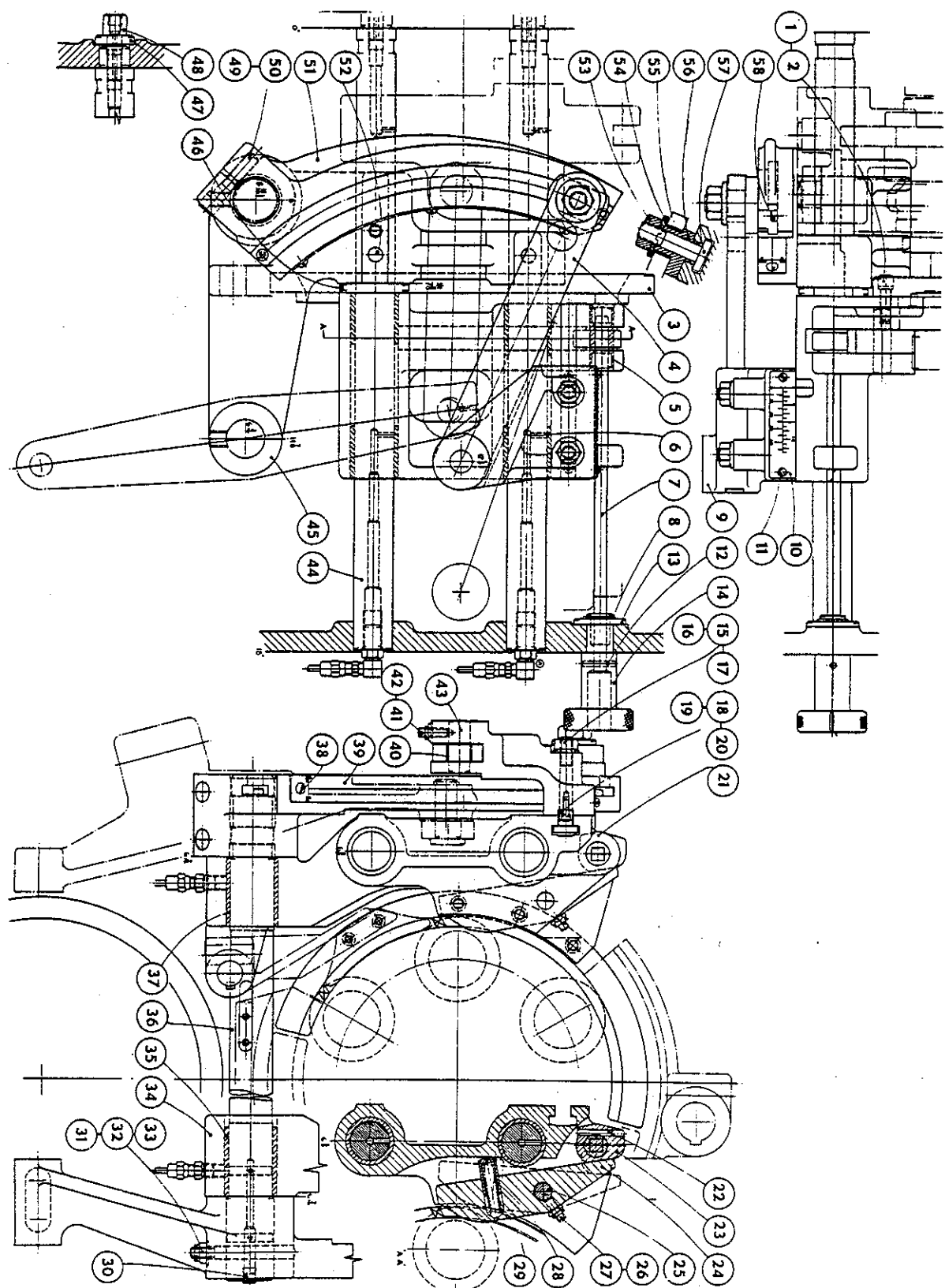
**WICKMAN
MULTI-SPINDLE
AUTOMATICS**

**BAR FEED, REAR
¾" - 6D MACHINE**

INDEX NO.	PART NO.	TITLE	INDEX NO.	PART NO.	TITLE
1	154/05	Spring Washer, $\frac{1}{8}$ " dia.	30	194/1	Socket Pipe Plug, $\frac{1}{2}$ " B.S.P.
2	155/0516	Socket Head Cap Screw, $\frac{1}{4}$ " B.S.F. X 1" long	31	459X.123	Taper Pin
3	459V.116	Thrust Ring	32	203/05	Self-locking Hexagon Nut, $\frac{1}{8}$ " B.S.F.
4	459X.119	Bar Feed Link	33	130/05	Plain Washer, $\frac{1}{8}$ " dia.
5	458X.145A	Bush	34	458Y.103	Bracket for Levers
6	236/182224	Oil Retaining Bush, $1\frac{1}{4}$ " X $1\frac{1}{4}$ " X $1\frac{3}{4}$ " long	35	236/202432	Oil Retaining Bush, $1\frac{1}{4}$ " X $1\frac{1}{4}$ " X 2" long
7	458X.147	Shaft	36	459V.114	Feed Lever Shaft
8	355/75	Retaining Ring, External, $\frac{1}{2}$ " dia.	37	236/202432	Oil Retaining Bush, $1\frac{1}{4}$ " X $1\frac{1}{4}$ " X 2" long
9	459V.115	Pivot Bracket	38	165/206	Slotted Round Head Screw, 2 B.A. X $\frac{1}{4}$ " long
10	459X.109	Scale	39	458Y.109	Bar Feed Scale
11	165/406	Slotted Round Head Screw, 4 B.A. X $\frac{1}{4}$ " long	40	325/10DU08	"P.T.F.E." Bush, $\frac{1}{8}$ " X $\frac{3}{8}$ " X $\frac{1}{4}$ " long
12	326/0516	Tension Pin, $\frac{3}{32}$ " dia. X 1" long	41	182/0416	Hexagon Socket Set Screw, Taper Point, $\frac{1}{4}$ " B.S.F. X 1" long
13	130/12	Plain Washer, $\frac{1}{4}$ " dia.	42	203/04	Self-locking Hexagon Nut, $\frac{1}{4}$ " B.S.F.
14	458X.146	Handle	43	459X.117	Link Pivot
15	173/06DH	Hexagon Nut, Double Chamfer, Hardened, $\frac{1}{4}$ " B.S.F.	44	458X.113	Guide Bar
16	130/06	Plain Washer, $\frac{1}{4}$ " dia.	45	459Y.103	Bracket for Levers
17	459X.118	Bar Feed Link	46	458X.162	Spacer
18	156/408	Socket Head Cap Screw, 4 B.A. X $\frac{1}{4}$ " long	47	458X.117	Washer
19	154/04	Spring Washer, $\frac{1}{4}$ " dia.	48	458X.112	Adaptor
20	459X.122	Tenon	49	154/06	Spring Washer, $\frac{3}{16}$ " dia.
21	459Z.101	Rear Bar Feed Slide	50	155/0628	Socket Head Cap Screw, $\frac{1}{4}$ " B.S.F. X $1\frac{1}{4}$ " long
22	326/0616	Tension Pin, $\frac{3}{32}$ " dia. X 1" long	51	459Y.104	Bar Feed Lever
23	458X.141A	Bar Feed Shoe Stop	52	141/110	Taper Dowel, Extractable, $\frac{3}{32}$ " dia. X 2" long
24	458X.105A	Bar Feed Shoe	53	173/08DH	Hexagon Nut, Double Chamfer, Hardened, $\frac{1}{4}$ " B.S.F.
25	458X.106	Bar Feed Shoe Pin	54	458X.137	Slotted Washer
26	203/04	Self-locking Hexagon Nut, $\frac{1}{4}$ " B.S.F.	55	325/12DU08	"P.T.F.E." Bush, $\frac{1}{4}$ " X $\frac{1}{4}$ " X $\frac{1}{4}$ " long
27	182/0414	Hexagon Socket Set Screw, Taper Point, $\frac{1}{4}$ " B.S.F. X $\frac{1}{4}$ " long	56	458X.127	Outer Link Pivot
28	458X.124	Plunger	57	458X.108	Pivot Bolt
29	458X.125	Compression Spring	58	156/204	Socket Head Cap Screw, 2 B.A. X $\frac{1}{4}$ " long

List of Parts for
PLATE No. 33
(Drawing No. 459Z1)

WHEN ORDERING SPARE PARTS ALWAYS QUOTE THE SERIAL NUMBER OF THE MACHINE



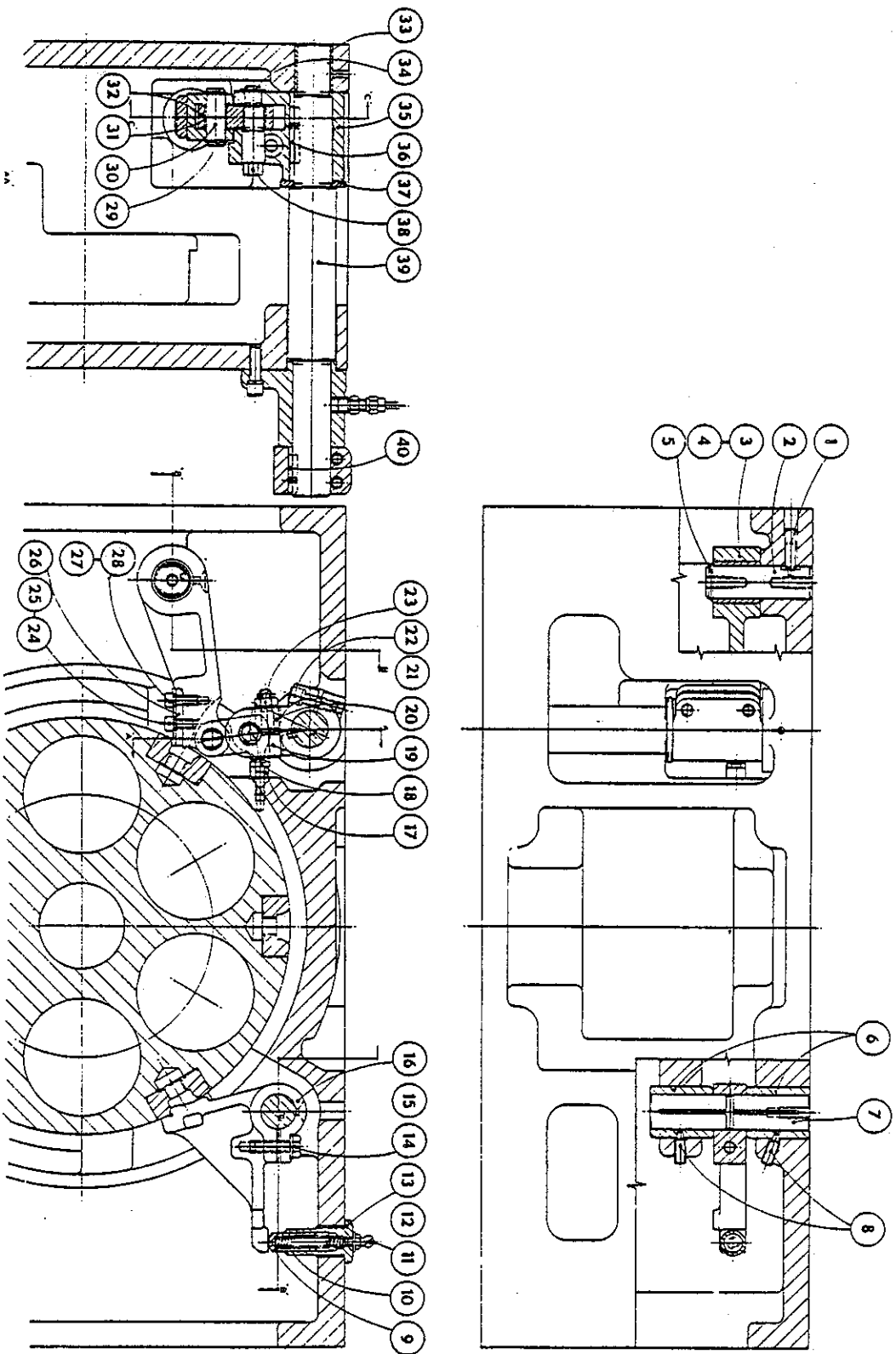
WICKMAN
MULTI-SPINDLE
AUTOMATICS

DRUM LOCKING
½"–6, ¾"–6S, 1"–6D MACHINES

INDEX NO.	PART NO.	TITLE	INDEX NO.	PART NO.	TITLE
1	182/0520	Socket Set Screw, Taper Point, ⅜" B.S.F. X 1½" long	21	154/05	Spring Washer, ⅜" dia.
2	461X.128A	Pin	22	155/0516	Socket Head Cap Screw, ⅜" B.S.F. X 1" long
3	461X.104	Lower Toggle Lever	23	203/04	Hexagon Nut, Self-locking, ⅜" B.S.F.
4	236/141820	Oil Retaining Bush, 1" X 1½" X 1½" long	24	155/0408	Socket Head Cap Screw, ½" B.S.F. X ½" long
5	355/97	Retaining Ring, External, ⅜" dia.	25	154/04	Spring Washer, ⅜" dia.
6	461X.111A	Bush	26	461X.131	Drum Locking Pad
7	461X.109A	Drum Latch Pivot Pin	27	154/04	Spring Washer, ⅜" dia.
8	182/0514	Socket Set Screw, Taper Point, ⅜" B.S.F. X ½" long	28	155/0410	Socket Head Cap Screw, ½" B.S.F. X ½" long
9	353X.164	Plunger	29	355/50	Retaining Ring, External, ⅜" dia.
10	461X.113	Latch Spring	30	461X.125	Pin
11	212/4504	Grease Nipple	31	325/08DU10	Bush, ½" X ⅜" X ½" long
12	210/1725	Indicator Washer, ⅜" dia.	32	461X.105	Toggle Lever } Assembly 461X.105
13	461X.114	Plunger Housing	33	236/141620	Oil Retaining Bush, ⅜" X 1" X 1½" long
14	169/0516	Hexagon Head Set Screw, ⅜" B.S.F. X 1" long	34	359/343	Miniature Circlip, External, ⅜" dia.
15	130/05	Flat Washer, ⅜" dia.	35	461X.102A	Toggle Lever
16	461V.108A	Drum Latch	36	121/0824T	Parallel Key, ⅜" square X 1½" long
17	461X.140	Stop Collar	37	118X.161	Washer
18	461X.14.	Stop Screw	38	461X.123	Eccentric Pin
19	461X.132A	Pad Bolt	39	461V.126A	Drum Locking Shaft
20	461X.133A	Pad Bush	40	121/0816T	Parallel Key, ⅜" square X 1" long

List of Parts for
PLATE No. 34
(Drawing No. 461ZIA)

WHEN ORDERING SPARE PARTS ALWAYS QUOTE THE SERIAL NUMBER OF THE MACHINE.



**WICKMAN
MULTI-SPINDLE
AUTOMATICS**

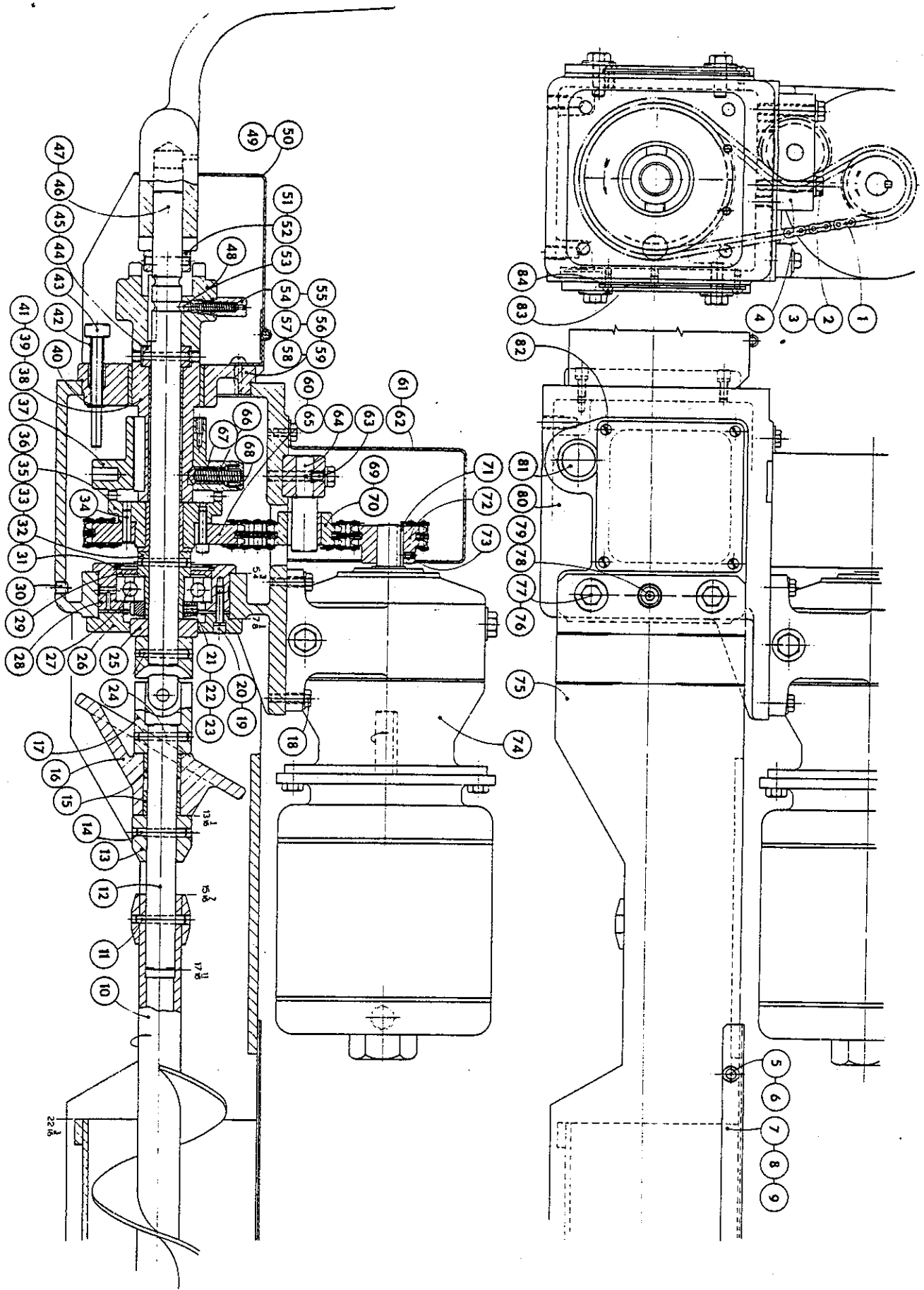
SWARF CONVEYOR MK. II (Optional Extra)

$\frac{1}{2}$ "—6, $\frac{1}{2}$ "—6S, $\frac{1}{2}$ "—6D MACHINES

INDEX NO.	PART NO.	TITLE	INDEX NO.	PART NO.	TITLE	INDEX NO.	PART NO.	TITLE
1	114/038	Renold Chain, Duplex, $\frac{1}{2}$ " Pitch, 0-250" dia. Roller	28	463X.154	Bearing Housing	56	236/323620	Bush, 2" i. dia. x 2 $\frac{1}{2}$ " o. dia. x 1 $\frac{1}{2}$ " long
2	167/0528	Hexagon Head Set Screw, $\frac{3}{8}$ " B.S.F. x 1 $\frac{1}{2}$ " long	29	463X.156	Spacer	57	154/04	Spring Washer, $\frac{1}{2}$ " dia.
3	130/05	Washer, $\frac{1}{8}$ " dia.	30	194/1	Socket Pipe Plug, $\frac{1}{2}$ " B.S.P.	58	155/0410	Socket Head Cap Screw, $\frac{1}{2}$ " B.S.F. x $\frac{3}{8}$ " long
4	463X.171	Support Block	31	356/283	Retaining Ring for 72 mm Housing	59	463V.164	End Bearing
5	156/206	Socket Head Cap Screw, 2 B.A. x $\frac{1}{2}$ " long	32	463X.157	Bearing Collar	60	155/0416	Socket Head Cap Screw, $\frac{1}{2}$ " B.S.F. x 1" long
6	130/03	Washer, $\frac{3}{8}$ " dia.	33	125/1622	Taper Pin, $\frac{1}{2}$ " dia. x 1 $\frac{1}{2}$ " long	61	167/0406	Hexagon Head Set Screw, $\frac{1}{2}$ " B.S.F. x $\frac{3}{8}$ " long
7	463X.138	Trough Cover (Motor End)	34	126/0816	Dowel, $\frac{1}{2}$ " dia. x 1" long	62	463V.176A	Chain Cover
8	463X.139	Trough Cover (Intermediate)	35	463X.160	Slipping Clutch Adaptor	63	182/0408	Socket Set Screw, Taper Point, $\frac{1}{2}$ " B.S.F. x $\frac{1}{2}$ " long
9	463X.140	Trough Cover (Drum Housing)	36	236/F/41824	Headed Bush, $\frac{1}{2}$ " i. dia. x 1 $\frac{1}{2}$ " o. dia. x 1 $\frac{1}{2}$ " long	64	463X.172	Jockey Pin
10	463Y.103A	Swarf Screw	37	418V.238B	Slipping Clutch Body	65	463X.161	Sprocket, 38 Teeth
11	125/1624	Taper Pin, $\frac{1}{2}$ " dia. x 1 $\frac{1}{2}$ " long	38	463X.162	Slipping Clutch Centre	66	418X.246A	Fast Motion Clutch Spring, 25 lb.
12	463X.142	Drive Shaft	39	236/141624	Bush, $\frac{1}{2}$ " i. dia. x 1" o. dia. x 1 $\frac{1}{2}$ " long	67	418X.198B	Plunger
13	463X.143	Collar for Drive Shaft	40	359/250A	External Circlip, Miniature, $\frac{1}{8}$ " x 0-040"	68	418X.141A	Spring Retaining Plug
14	125/1624	Taper Pin, $\frac{1}{2}$ " dia. x 1 $\frac{1}{2}$ " long	41	121/1036T	Key, $\frac{1}{8}$ " square x 2 $\frac{1}{2}$ " long	69	236/121616	Bush, $\frac{1}{2}$ " i. dia. x 1" o. dia. x 1" long
15	236/141812	Bush, $\frac{1}{2}$ " i. dia. x 1 $\frac{1}{2}$ " o. dia. x $\frac{3}{4}$ " long	42	463X.167	Compression Spring	70	463X.173	Jockey Sprocket
16	463V.144	Deflector Plate	43	463X.166	Plunger	71	121/0620	Key, $\frac{1}{8}$ " square x 1 $\frac{1}{2}$ " long
17	Mollart No. 4	Mollart "Hook's Type" Universal Joint, $\frac{1}{2}$ " bore both ends	44	463X.163	Collar	72	463X.170	Drive Sprocket, 17 Teeth
18	167/0416	Hexagon Head Set Screw, $\frac{1}{2}$ " B.S.F. x 1" long	45	125/1622	Taper Pin, $\frac{1}{2}$ " dia. x 1 $\frac{1}{2}$ " long	73	179/205	Socket Set Screw, Cup Point, 2 B.A. x $\frac{1}{2}$ " long
19	154/04	Spring Washer, $\frac{1}{2}$ " dia.	46	463X.159	Drive Shaft	74	463V.153B	Motorised Reduction Unit
20	155/0416	Socket Head Cap Screw, $\frac{1}{2}$ " B.S.F. x 1" long	47	121/0832T	Key, $\frac{1}{2}$ " square x 2" long	75	463Z.107A	Swarf Trough
21	151/30	Slotted Locknut, 30 mm	48	463X.165	Handwind Dog	76	358/06	Washer, Large Black, $\frac{3}{8}$ " dia.
22	176/0405	Socket Set Screw, Cup Point, $\frac{1}{2}$ " B.S.F. x $\frac{3}{8}$ " long	49	164/0406	Round Head Set Screw, $\frac{1}{2}$ " B.S.F. x $\frac{3}{8}$ " long	77	167/0616	Hexagon Head Set Screw, $\frac{3}{8}$ " B.S.F. x 1" long
23	153/04	Copper Pad, $\frac{1}{2}$ " dia.	50	463V.177A	Drive Shaft Cover	78	212/045	Grease Nipple, $\frac{1}{2}$ " B.S.F.
24	125/1624	Taper Pin, $\frac{1}{2}$ " B.S.F. x 1 $\frac{1}{2}$ " long	51	125/1622	Taper Pin, $\frac{1}{2}$ " dia. x 1 $\frac{1}{2}$ " long	79	210/1725	Plastic Washer, Coloured, 17/64" dia.
25	463X.158A	Spacer	52	463X.163	Collar	80	463Z.150	Conveyor Drive Housing
26	463X.155	End Cap	53	—	Steel Ball, $\frac{1}{8}$ " dia.	81	250/16NE	Oil Level Window, 1 $\frac{1}{2}$ " o. dia.
27	257/30	Ball Journal, 30 mm i. dia. x 72 mm o. dia. x 19 mm	54	219X.194	Spring Retainer	82	165/206	Round Head Set Screw, 2 B.A. x $\frac{1}{2}$ " long
			55	219X.193	Loading Spring	83	463X.151	Side Cover
						84	463X.152	Cover Gasket

List of Parts for
PLATE No. 35
(Drawing No. 463Z1A)

WHEN ORDERING SPARE PARTS ALWAYS QUOTE THE SERIAL NUMBER OF THE MACHINE



WICKMAN
MULTI-SPINDLE
AUTOMATICS

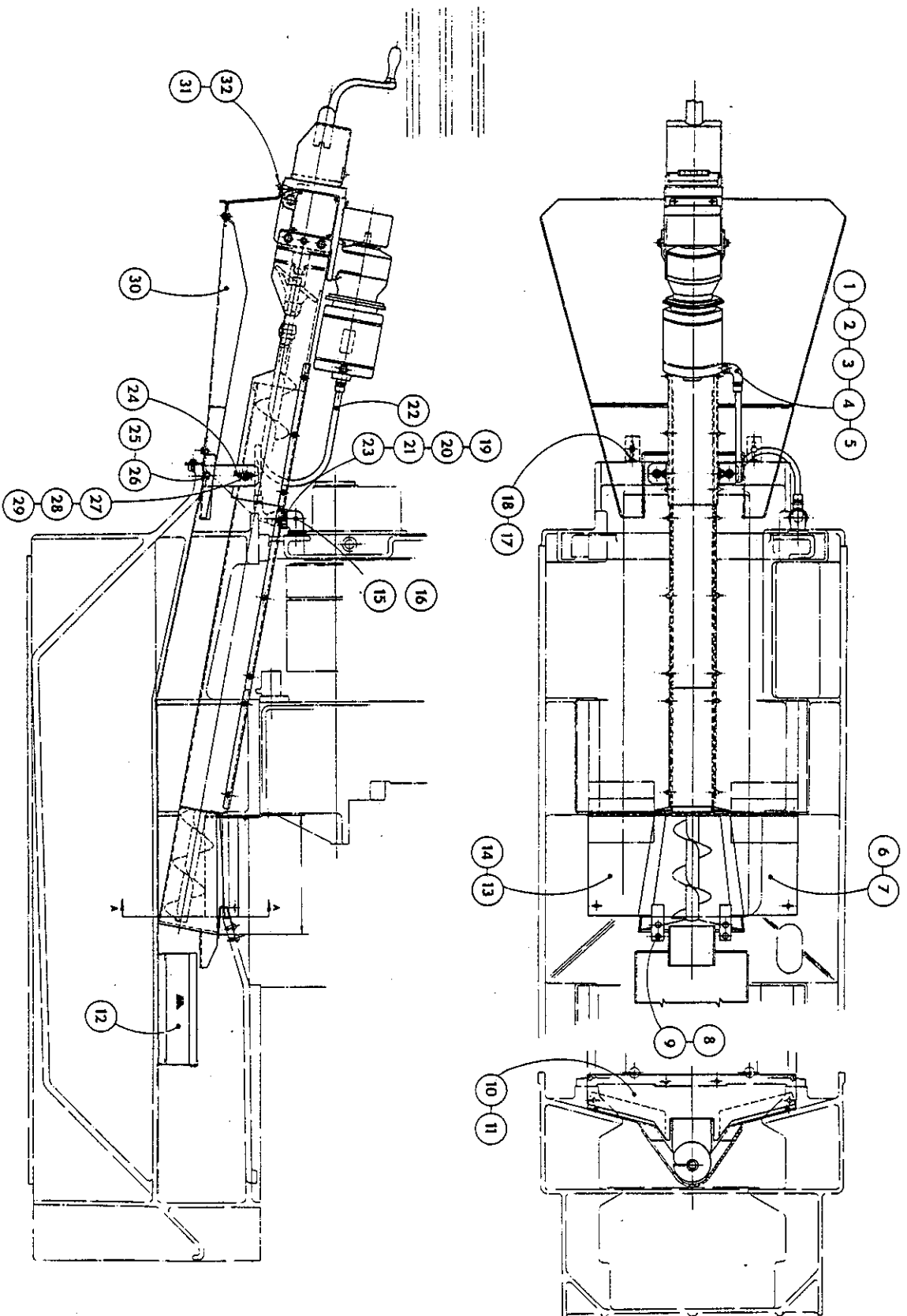
SWARF CONVEYOR AND CHUTES (Optional Extra)

¾" - 6, ¾" - 6S, ¾" - 6D MACHINES

INDEX NO.	PART NO.	TITLE
1	563X.639	Seal
2	9351	90° Elbow Connector ¾" Cond. - Gas, 20mm
3	357/13	Dowty Seal 13/16" dia.
6	164/0408	Round Head Set Screw, ¼" B.S.F. x ½" long
7	463Y.1358	Swarf Chute, Rear
8	164/0512	Round Head Set Screw, 5/16" B.S.F. x ¾" long
9	463X.141	Trough End Clip
10	463Y.1368	Swarf Chute, Drum Housing End
11	164/0408	Round Head Set Screw, ¼" B.S.F. x ½" long
12	463Y.147	Swarf Back et
13	463Y.1348	Swarf Chute, Front
14	164/0408	Round Head Set Screw, ¼" B.S.F. x ½" long
15	N4658	" Niphan " 4 Pole 5 amp Angle Socket
16	156/210	Socket Head Cap Screw, 2 B.A. x ¾" long
17	130/06	Plain Washer, ¾" dia.
18	167/0612	Hexagon Head Set Screw, ¾" B.S.F. x ¾" long
19	9351	90° Elbow Connector Thomas & Betts
20	357/13	Dowty Seal 15/16" dia.
21	SN400B	Niphan Four Pole Plug 20mm Female Thread
22	347/1027B	Conduit, 5/8" x 27" long
23	N400B	" Niphan " 4 Pole 5 amp Plug
24	463V.145A	Bracket for Swarf Trough
25	358/06	Black Washer, Large, ¾" dia.
26	167/0614	Hexagon Head Set Screw, ¾" B.S.F. x 7/8" long
27	167/0616	Hexagon Head Set Screw, ¾" B.S.F. x 1" long
28	358/06	Black Washer, Large, ¾" dia.
29	173/06	Hexagon Nut, ½" B.S.F.
30	463Z.146A	Drain Platform
31	130/06	Plain Washer, ¾" dia.
32	167/0612	Hexagon Head Set Screw, ¾" B.S.F. x ¾" long

List of Parts for
PLATE No.36
(Drawing No.463Z2A)

WHEN ORDERING SPARE PARTS ALWAYS QUOTE THE SERIAL NUMBER OF THE MACHINE



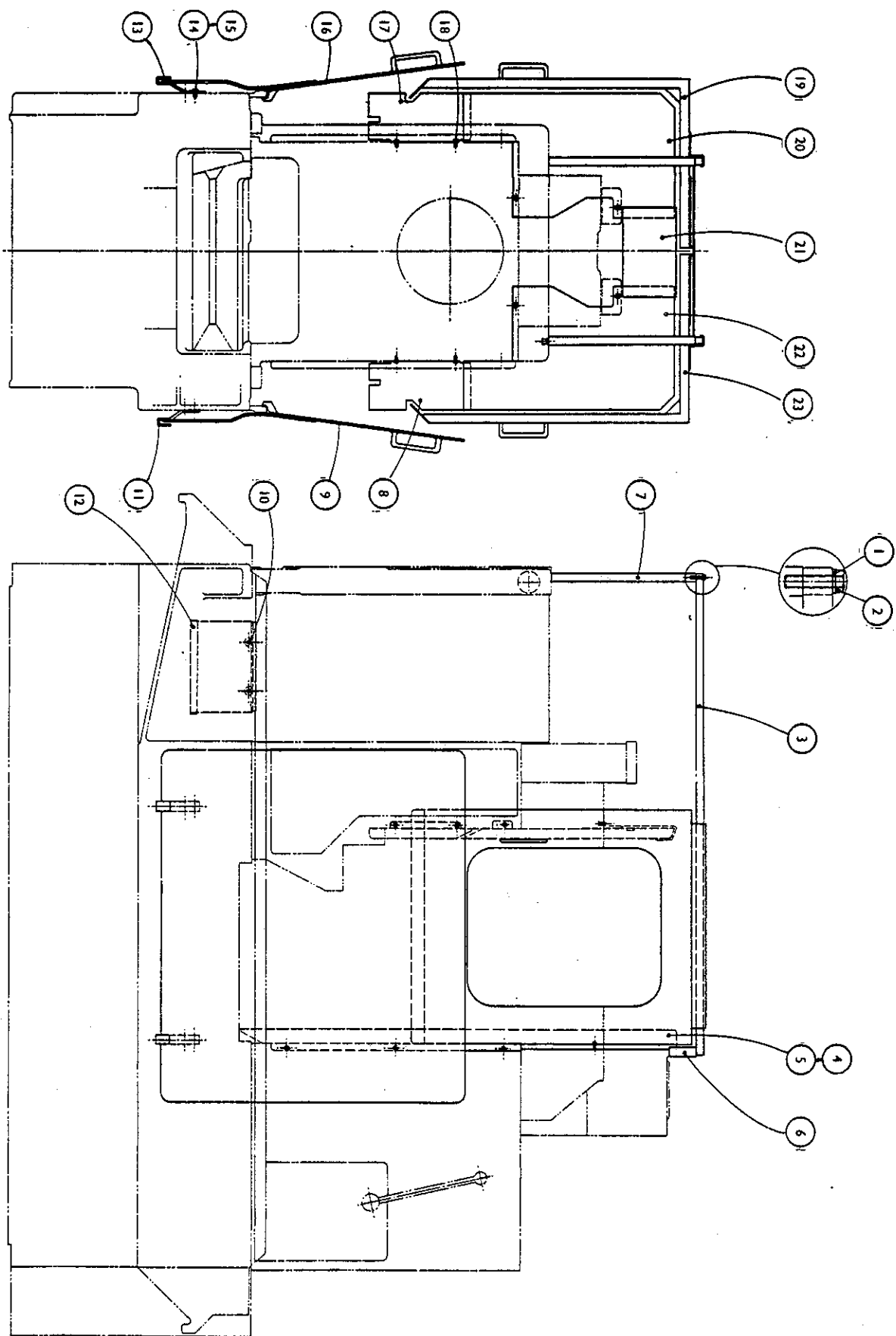
**WICKMAN
MULTI-SPINDLE
AUTOMATICS**

SPLASH GUARDS
3/4" - 6 OR 3/8" - 6S, 3/4" - 6D MACHINES

INDEX NO.	PART NO.	TITLE
1	130/05	5/16" Flat Washer
2	170/0520	5/16" BSF Hexagon Head Bolt 1 1/4" long
3	464Y.112A	Splash Guard Rail
4	464Y.127D	Splash Guard, Front
5	464Y.126D	Splash Guard, Rear
6	464X.135B	Support Stud
7	464Y.116C	Support Stud
8	464X.149A	Splash Guard, Front
9	464X.139	Splash Guard, Lower
10	200-80	Pureloy Shoulder Screw
11	464X.137	Lower Splash Guard Support
12	464Y.120	Work Basket
13	464X.137	Lower Splash Guard Support
14	169/0510	5/16" BSF Hexagon Head Set Screw 3/8" long
15	130/05	5/16" Flat Washer
16	464Y.139	Splash Guard, Lower
17	464V.144A	Splash Guard, Rear
18	164/0408	1/2" BSF Round Head Screw 1/2" long
19	464Z.101D	Splash Guard
20	464Y.119C	Splash Guard, Rear
21	464V.128	Splash Guard, Top
22	464Y.118C	Splash Guard, Front
23	464Z.101D	Splash Guard

List of Parts for
PLATE No. 37
(Drawing No. 464Z1D)

WHEN ORDERING SPARE PARTS ALWAYS QUOTE THE INSPECTION NUMBER OF THE MACHINE



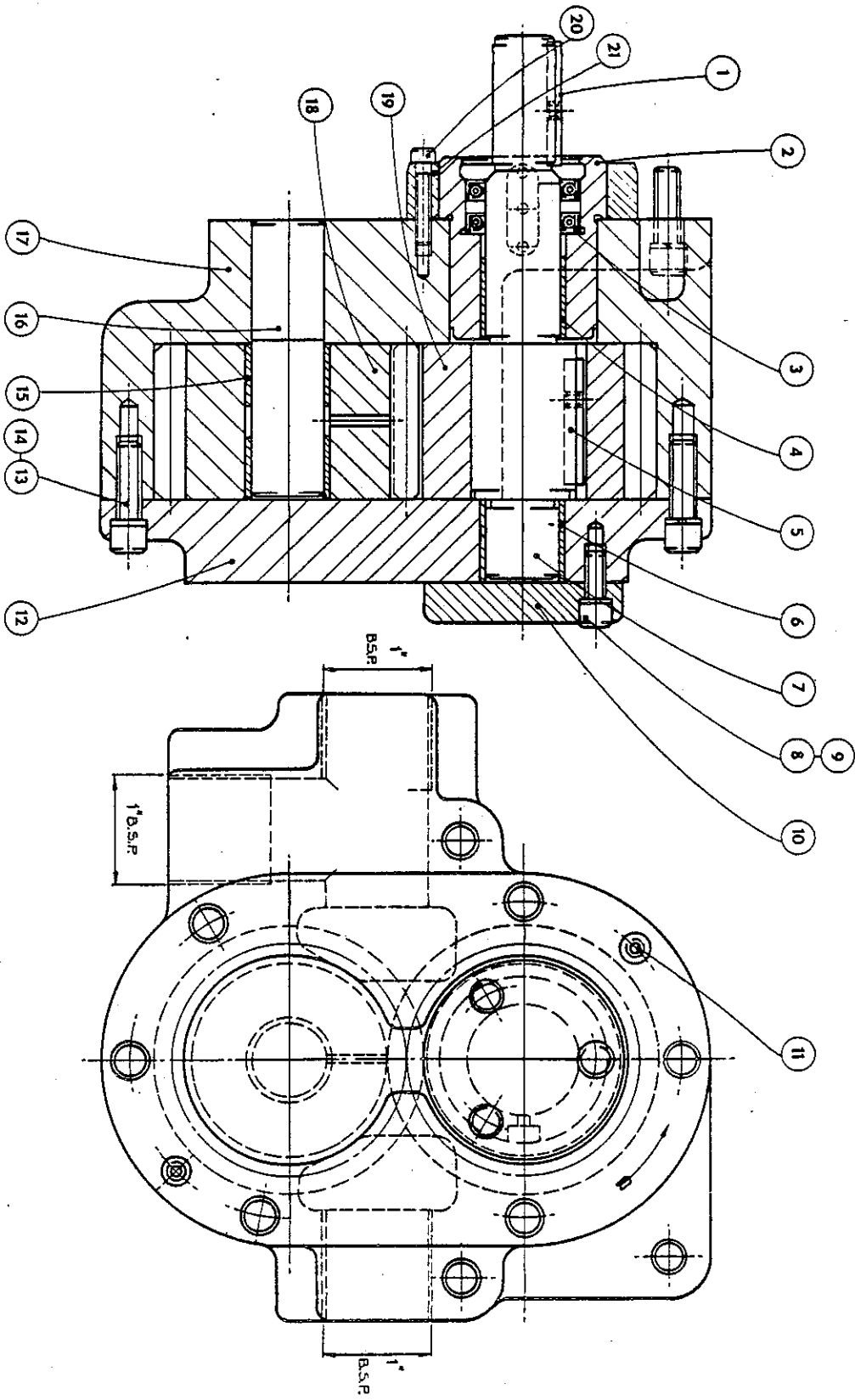
WICKMAN
MULTI-SPINDLE
AUTOMATICS

COOLANT PUMP
5/8" - 6, 7/8" - 6S, 7/8" - 6D MACHINES

INDEX NO.	PART NO.	TITLE
1	107/0824T	Parallel Key, 1/4" square x 1 1/2" long
2	469X.106A	Oil Seal Housing
3	235/14220	Oil Seal, Gaco Type, 7/8" x 1 1/4" x 1/4" long
4	325/14DU18	Glacier DU Bush, 7/8" x 1" x 1" long
5	121/9	Parallel Key, 1/2" square x 1 1/2" long
6	325/14DU18	Glacier DU Bush, 7/8" x 1" x 1" long
7	469X.108	Pump Driving Shaft
8	155/0410	Socket Head Cap Screw, 1/4" B.S.F. x 7/8" long
9	154/04	Spring Washer, 1/2" dia.
10	169X.110	End Cap
11	141/3	Tapred Dowel, 11/32" x 1 1/4" long
12	469V.103	Pump End Plate
13	154/05	Spring Washer, 5/16" dia.
14	155/0516	Socket Head Cap Screw, 5/16" B.S.F. x 1" long
15	325/44DU12	Glacier DU Bush, 7/8" x 1" x 3/4" long
16	269X.309	Idle Gear Stud
17	469Z.101A	Pump Body
18	469X.107	Idle Gear
19	469X.104	Driving Gear
20	156/216	Socket Head Cap Screw, 2 B.A. x 1" long
21	469X.113	Collar

List of Parts for
PLATE No. 38
(Drawing No. 469V1)

WHEN ORDERING SPARE PARTS ALWAYS QUOTE THE SERIAL NUMBER OF THE MACHINE

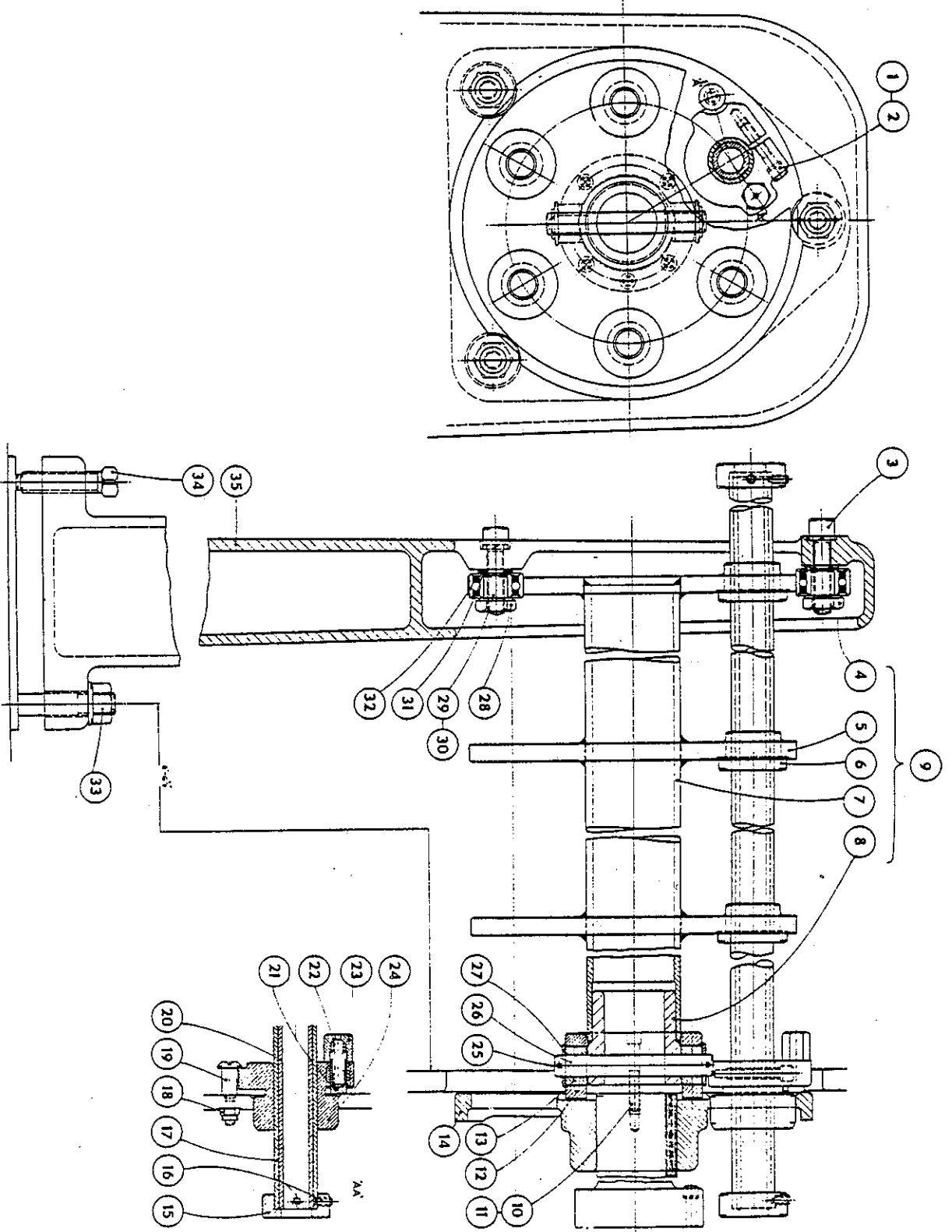


WICKMAN
MULTI-SPINDLE
AUTOMATICS
STOCK CARRIAGE ASSEMBLY
 $\frac{1}{8}$ "—6, $\frac{1}{8}$ "—6S, $\frac{1}{8}$ "—6D MACHINES

INDEX NO.	PART NO.	TITLE
1	154/05	Spring Washer, $\frac{1}{8}$ " dia.
2	155/0524	Socket Head Cap Screw, $\frac{1}{8}$ " B.S.F. X $1\frac{1}{2}$ " long
3	155/0836	Socket Head Cap Screw, $\frac{1}{8}$ " B.S.F. X $2\frac{1}{4}$ " long
4	475X.137A	Eccentric Nut
5	475V.106	Support Disc for Stock Tube
6	475X.111	Bush for Support Disc
7	475X.102	Centre Tube
8	475X.104	Centre Tube End Piece
9	475Y.122	Stock Tube Frame Assembly (See 5, 6, 7 & 8 above)
10	155/0532	Socket Head Cap Screw, $\frac{1}{8}$ " B.S.F. X $2\frac{1}{2}$ " long
11	154/05	Spring Washer, $\frac{1}{8}$ " dia.
12	475V.125	Adaptor
13	475X.109	Drive Bush
14	458Y.150B	Driving Disc
15	475X.126	Cap
16	178/0408	Socket Set Screw, $\frac{1}{8}$ " B.S.F. X $\frac{1}{4}$ " long
17	475X.101	Stock Tube
18	203/05	Self-locking Nut, $\frac{1}{8}$ " B.S.F.
19	475X.129B	Stop Pin
20	475X.119	Stock Support Tube
21	475X.131	Plunger
22	475X.133	Spring
23	475X.110	Spring Retaining Plug
24	475X.103	Bush for Stock Tube
25	327/0607	Split Pin, $\frac{3}{32}$ " dia. X $\frac{1}{2}$ " long
26	475X.130	Pin
27	130/10	Washer, $\frac{1}{8}$ " dia.
28	475X.132A	Nut
29	155/0832	Socket Head Cap Screw
30	154/08	Spring Washer, $\frac{1}{8}$ " dia.
31	130/08	Washer, $\frac{1}{8}$ " dia.
32	L117WRR	Ball Journal, Light, Wide, 17 mm X 40 mm X 0-7/8"
33	—	Rag Bolt and Nut (supplied by customer)
34	188/1040	Square Head Set Screw, $\frac{1}{8}$ " B.S.F. X $2\frac{1}{4}$ " long
35	475Y.108	Stock Carriage Stand

List of Parts for
PLATE No. 39
(Drawing No. 475Z1)

WHEN ORDERING SPARE PARTS ALWAYS QUOTE THE SERIAL NUMBER OF THE MACHINE

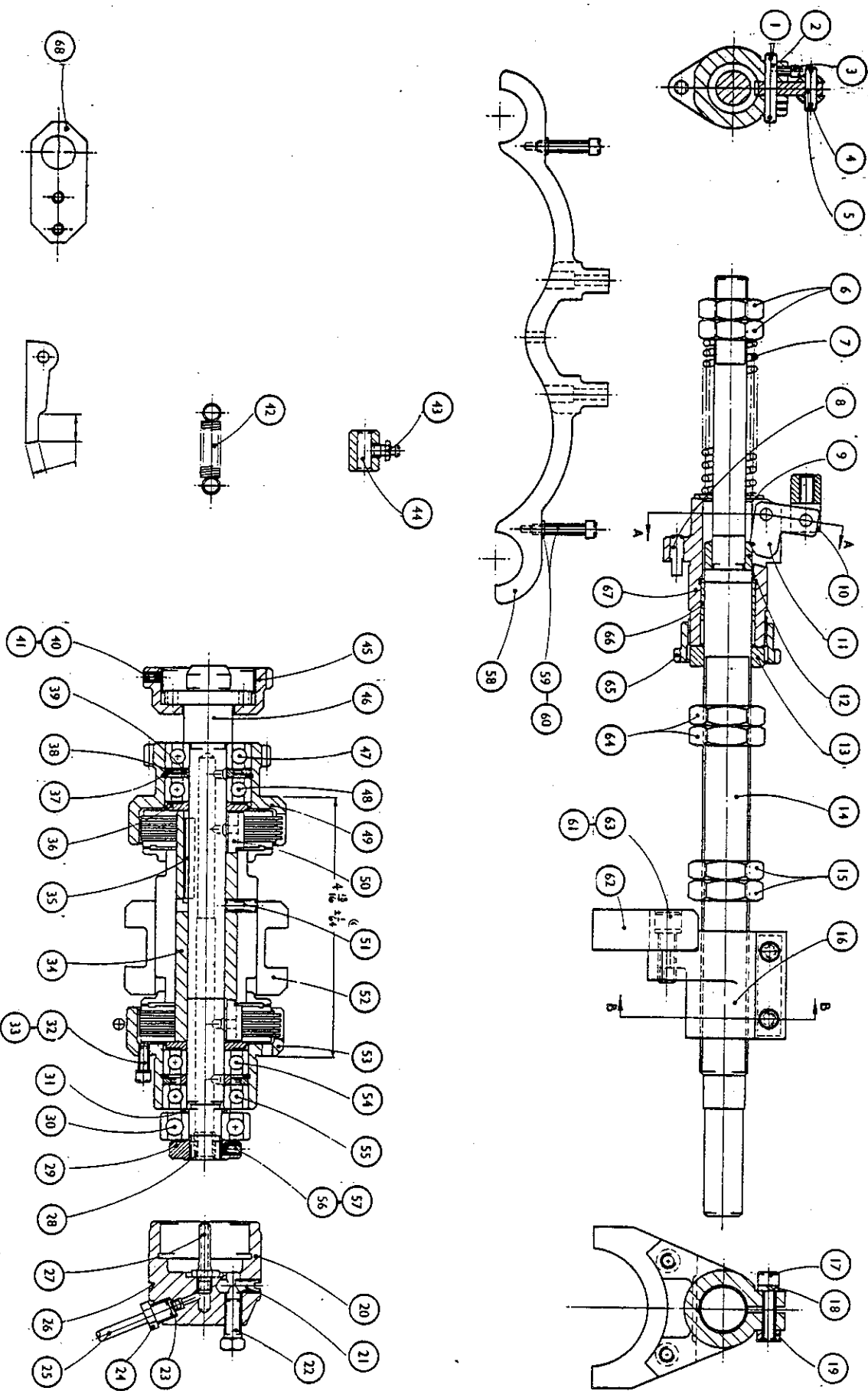


**WICKMAN
MULTI-SPINDLE
AUTOMATICS**
THREADING CLUTCH DRIVE MK. II
 $\frac{3}{8}$ "—6, $\frac{3}{8}$ "—6S, $\frac{3}{8}$ "—6D MACHINES

INDEX NO.	PART NO.	TITLE	INDEX NO.	PART NO.	TITLE
1	327/0404	Cotter Pin, $\frac{3}{8}$ " dia. X $\frac{3}{8}$ " long	35	121/0624T	Parallel Key, $\frac{3}{8}$ " square X $1\frac{1}{2}$ " long
2	481X.120	Latch Pivot Pin	36	481X.105	Spacer
3	156/404	Socket Head Cap Screw, 4 B.A. X $\frac{1}{4}$ " long	37	356/156	Retaining Ring, Internal, 40 mm dia.
4	327/0404	Cotter Pin, $\frac{3}{8}$ " dia. X $\frac{3}{8}$ " long	38	481X.109	Spacer
5	481X.107	Latch Link Pin	39	481X.103	Spacer
6	173/10HL	Hexagon Locknut, Hardened, $\frac{3}{8}$ " B.S.F.	40	179/204	Socket Set Screw, 2 B.A. X $\frac{1}{4}$ " long
7	481X.124A	Operating Spring	41	153/42	Soft Pad for 2 B.A. Screw
8	489X.127	Dowel	42	481X.126	Latch Spring
9	481X.127	Spacer	43	481X.122	Spring Anchor
10	481X.116	Latch Fork	44	481X.125	Spring Anchor Sleeve
11	481X.121	Latch	45	481X.102	Locknut
12	181AX.105	Latch Bush	46	481X.101A	Clutch Shaft
13	481X.117	Buffer Bush	47	258/17Z	Ball Journal, Light, 17 X 40 X 12 mm
14	481X.119	Glut Shaft	48	258/17Z	Ball Journal, Light, 17 X 40 X 12 mm
15	181AX.121	Locknut for Glut Shaft	49	481X.132/28	Integral Gear
16	481X.114B	Glut Bracket	50	481X.108	Clutch Key
17	155/0416	Socket Head Cap Screw, $\frac{1}{4}$ " B.S.F. X 1" long	51	126/0709	Dowel, Hardened, $\frac{3}{32}$ " dia. X $\frac{1}{8}$ " long
18	154/04	Spring Washer, $\frac{1}{4}$ " dia.	52	—	No. 1 Herbert Multi-grip Double Clutch
19	481X.115	Nut Strip	53	481X.104A	Clutch Grip
20	481X.110	End Bearing Housing	54	258/17Z	Ball Journal, Light, 17 X 40 X 12 mm
21	481X.111	Locking Pin	55	258/17Z	Ball Journal, Light, 17 X 40 X 12 mm
22	481X.112	Locking Screw	56	153/42	Soft Pad for 2 B.A. Screw
23	221/3	Tubing Sleeve, $\frac{3}{8}$ " Tube	57	179/204	Socket Set Screw, 2 B.A. X $\frac{1}{4}$ " long
24	215/3	Tubing Nut, $\frac{3}{8}$ " Sleeve	58	481V.123	Glut Shifting Fork
25	225/3050	Copper Tube, $\frac{3}{8}$ " dia.	59	156/216	Socket Head Cap Screw, 2 B.A. X 1" long
26	481X.113	Spring	60	154/03	Spring Washer, $\frac{3}{8}$ " dia.
27	568X.162	Oil Nipple	61	154/05	Spring Washer, $\frac{3}{8}$ " dia.
28	418X.158	Oil Bush	62	481X.137	Glut
29	151/15	Slotted Locknut, 15 mm, 22 T.P.I.	63	155/0516	Socket Head Cap Screw, $\frac{3}{8}$ " B.S.F. X 1" long
30	257/15	Ball Journal, Medium, 15 X 42 X 13 mm	64	181AX.121	Locknut for Glut Shaft
31	481X.134	Bearing Spacer	65	489X.109	Nut
32	156/208	Socket Head Cap Screw, 2 B.A. X $\frac{1}{4}$ " long	66	236/41612	Oil Retaining Bush, $\frac{1}{8}$ " X 1" X $\frac{1}{4}$ " long
33	154/03	Spring Washer, $\frac{3}{8}$ " dia.	67	481X.118	Trip Sleeve
34	481X.106	Herbert Clutch Sleeve	68	481X.138	Bracket

List of Parts for
PLATE No. 40
(Drawing No. 481Y1A)

WHEN ORDERING SPARE PARTS ALWAYS QUOTE THE SERIAL NUMBER OF THE MACHINE



WICKMAN
MULTISPINDLE
AUTOMATICS

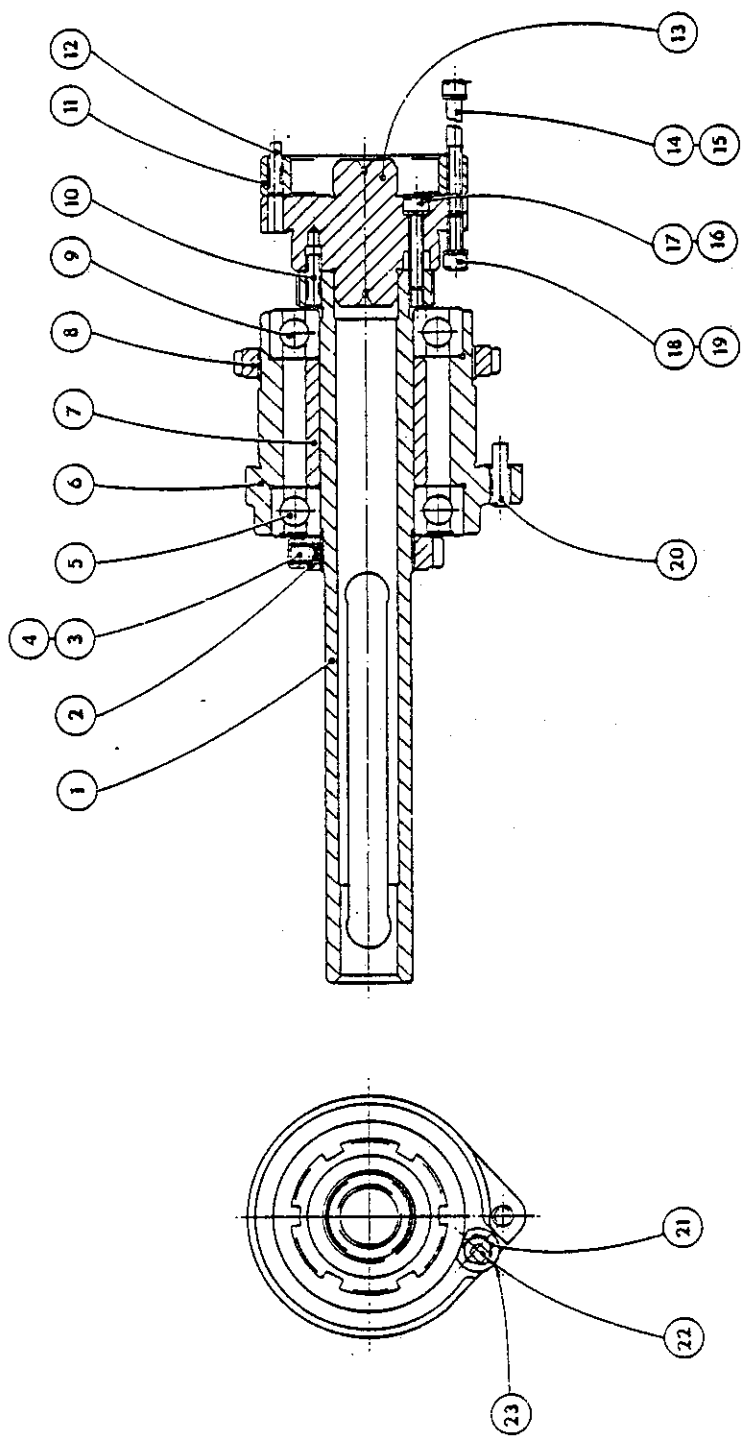
THREADING ATTACHMENT DRIVE SLEEVE MK. I

$\frac{1}{2}$ "—6, $\frac{1}{2}$ "—65, $\frac{1}{2}$ "—6D MACHINES

INDEX NO.	PART NO.	TITLE
1	482V.101A	Drive Sleeve
2	151/30	Slotted Locknut, 30 mm, 22 T.P.I.
3	153/04	Soft Pad, for $\frac{1}{4}$ " B.S.F.
4	176/0405	Socket Set Screw, $\frac{1}{4}$ " B.S.F. X $\frac{3}{8}$ " long
5	258/30Z5	Ball Journal, 30 X 62 X 16 mm
6	482X.104A	Drive Housing
7	482X.106	Bearing Spacer
8	482X.105	Locknut
9	258/30Z	Ball Journal, 30 X 62 X 16 mm
10	482X.133A	Dowel
11	482X.128A	Spacer
12	482X.133A	Dowel
13	482X.115A	Gear Adaptor
14	156X.228	Socket Head Cap Screw, 2 B.A. X $1\frac{1}{2}$ " long
15	154/03	Spring Washer, $\frac{1}{8}$ " dia.
16	154/03	Spring Washer, $\frac{1}{8}$ " dia.
17	156/216	Socket Head Cap Screw, 2 B.A. X $1\frac{1}{2}$ " long
18	156/208	Socket Head Cap Screw, 2 B.A. X $1\frac{1}{2}$ " long
19	154/03	Spring Washer, $\frac{3}{8}$ " dia.
20	489X.127	Dowel
21	210/1725	Indicator Washer, Yellow, $\frac{1}{2}$ " dia.
22	212/4504	Oil Nipple, 45°, $\frac{1}{4}$ " B.S.F.
23	179/403	Socket Set Screw, 2 B.A. X $\frac{1}{8}$ " long

List of Parts for
PLATE No. 41
(Drawing No. 482V1)

WHEN ORDERING SPARE PARTS ALWAYS QUOTE THE SERIAL NUMBER OF THE MACHINE



WICKMAN
MULTI-SPINDLE
AUTOMATICS

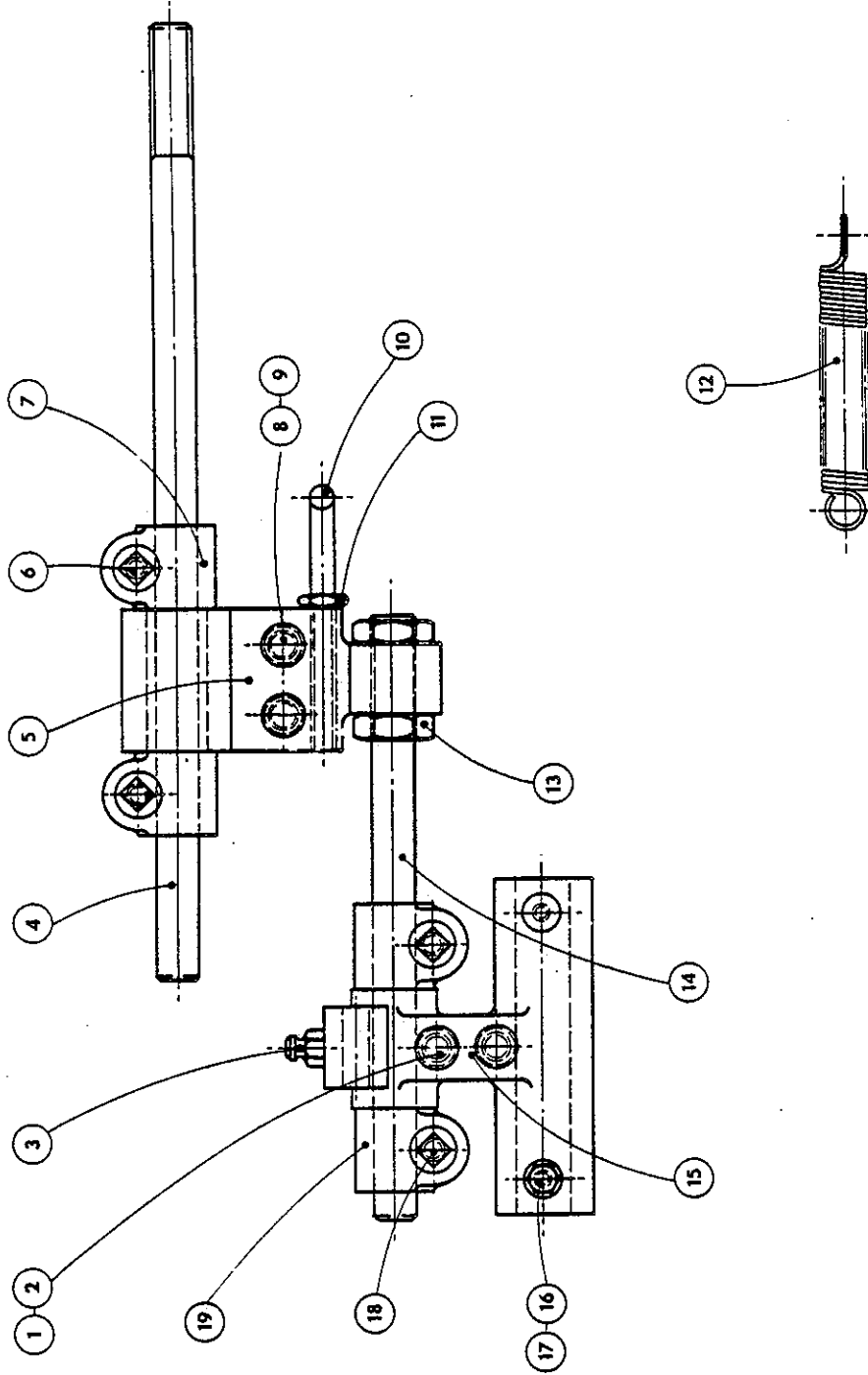
EXTRA PARTS FOR THREADING ATTACHMENT MK. I, STATIONS 4 & 5

$\frac{3}{8}$ "—6, $\frac{3}{8}$ "—6S, $\frac{3}{8}$ "—6D MACHINES

INDEX NO.	PART NO.	TITLE
1	154/05	Spring Washer, $\frac{3}{16}$ " dia.
2	155/0528	Socket Head Cap Screw, $\frac{3}{16}$ " B.S.F. X $1\frac{1}{4}$ " long
3	181AX.114	Spring Anchor
4	486X.121	Push Rod
5	486X.126	Slide Bracket
6	195/0412	Clamping Collar Head Screw, $\frac{1}{4}$ " B.S.F. X $\frac{3}{4}$ " long
7	489X.115	Push Rod Clamp
8	155/0516	Socket Head Cap Screw, $\frac{3}{16}$ " B.S.F. X $1\frac{1}{4}$ " long
9	154/05	Spring Washer, $\frac{3}{16}$ " dia.
10	486X.160	Spring Anchor
11	173/04L	Hexagon Locknut, $\frac{1}{4}$ " B.S.F.
12	486X.139	Return Spring
13	173/07L	Hexagon Locknut, $\frac{3}{8}$ " B.S.F.
14	486X.122A	Push Rod
15	486V.125A	Threading Attachment Bracket
16	179/210	Socket Set Screw, 2 B.A. X $\frac{3}{8}$ " long
17	203/2L	Hexagon Nut, 2 B.A.
18	195/0412	Clamping Collar Head Screw, $\frac{1}{4}$ " B.S.F. X $\frac{3}{4}$ " long
19	489X.115	Push Rod Clamp

List of Parts for
PLATE No. 42
(Drawing No. 486V2)

WHEN ORDERING SPARE PARTS ALWAYS QUOTE THE SERIAL NUMBER OF THE MACHINE



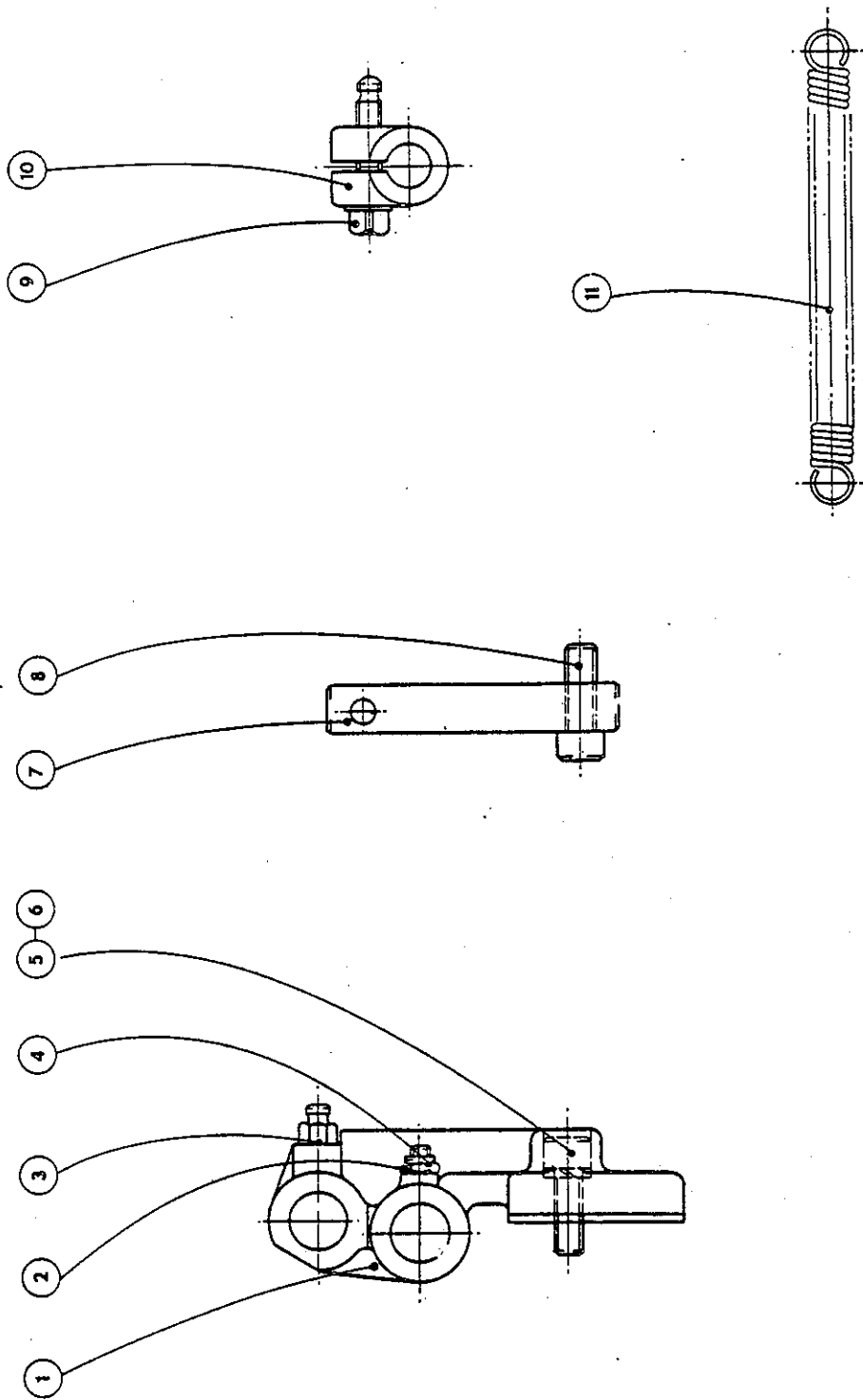
**WICKMAN
MULTI-SPINDLE
AUTOMATICS**

EXTRA PARTS FOR THREADING ATTACHMENT MK. I, STATIONS 1, 2, 3 & 6
 $\frac{3}{8}$ "—6, $\frac{3}{8}$ "—6S, $\frac{3}{8}$ "—6D MACHINES

INDEX NO.	PART NO.	TITLE
1	486X.130	Threading Attachment Bracket
2	203/2L	Hexagon Nut, 2 B.A.
3	181AX.114	Spring Anchor
4	179/210	Socket Set Screw, 2 B.A. X $\frac{3}{16}$ " long
5	154/05	Spring Washer, $\frac{3}{16}$ " dia.
6	155/0514	Socket Head Cap Screw, $\frac{3}{16}$ " B.S.F. X $\frac{3}{16}$ " long
7	486X.132	Trip Plate
8	155/0514	Socket Head Cap Screw, $\frac{3}{16}$ " B.S.F. X $\frac{3}{16}$ " long
9	486X.133	Spring Anchor Clamp Screw
10	489X.115	Push Rod Clamp
11	486X.140	Return Spring

List of Parts for
PLATE No. 43
 (Drawing No. 486V3A)

WHEN ORDERING SPARE PARTS ALWAYS QUOTE THE SERIAL NUMBER OF THE MACHINE



**WICKMAN
MULTI-SPINDLE
AUTOMATICS**

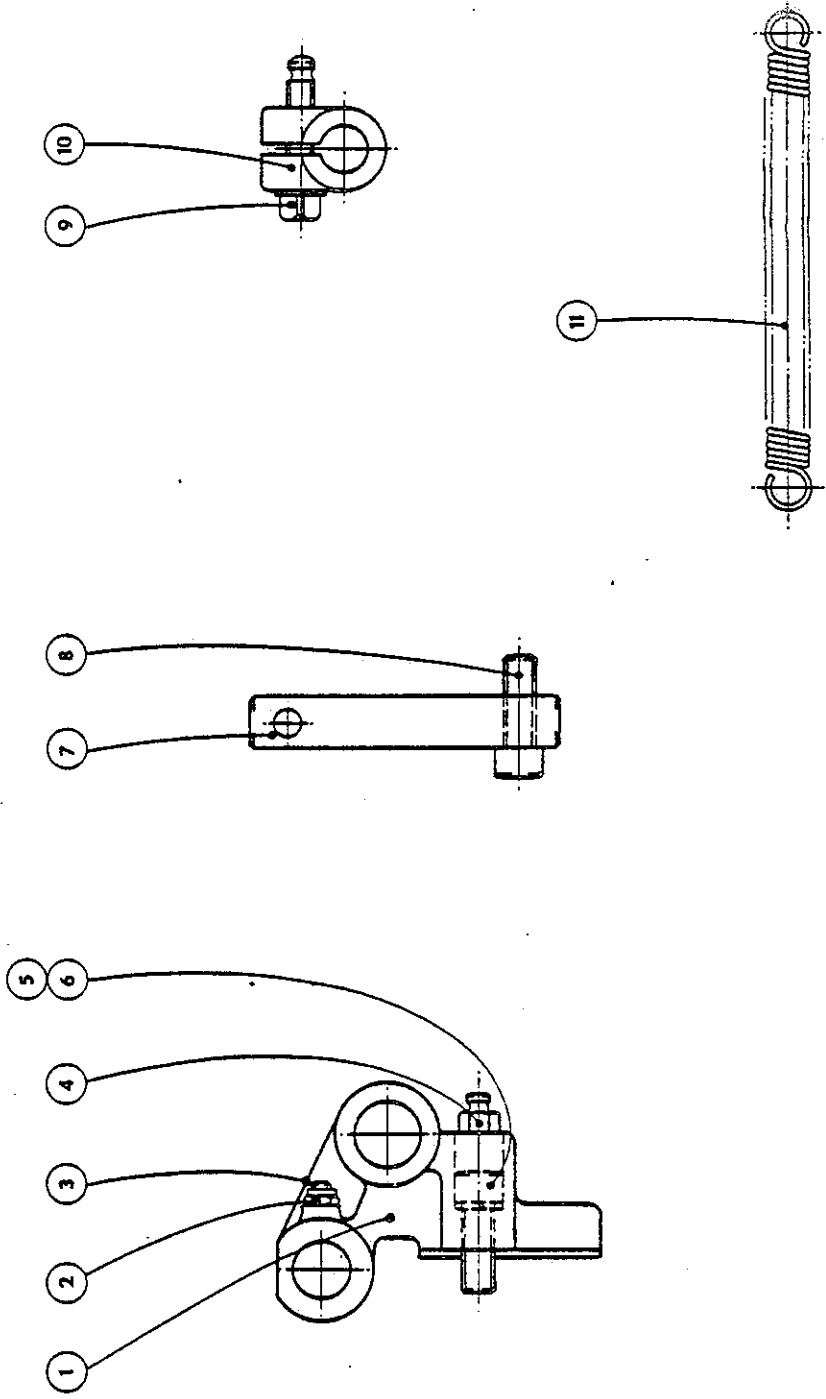
**EXTRA PARTS FOR THREADING ATTACHMENT MK. I (DIEHEAD ONLY)
STATIONS 3 & 6**

$\frac{1}{8}$ "—6, $\frac{1}{8}$ "—6S, $\frac{1}{8}$ "—6D MACHINES

INDEX NO.	PART NO.	TITLE
1	486X.131	Threading Attachment Bracket
2	203/2L	Hexagon Nut, 2 B.A.
3	179/210	Socket Set Screw, 2 B.A. X $\frac{1}{8}$ " long
4	181AX.114	Spring Anchor
5	154/05	Spring Washer, $\frac{1}{8}$ " dia.
6	155/0514	Socket Head Cap Screw, $\frac{1}{8}$ " B.S.F. X $\frac{1}{2}$ " long
7	486X.132	Trip Plate
8	155/0514	Socket Head Cap Screw, $\frac{1}{8}$ " B.S.F. X $\frac{1}{2}$ " long
9	486X.133	Spring Anchor Clamp Screw
10	489X.115	Push Rod Clamp
11	486X.140	Return Spring

List of Parts for
PLATE No. 44
(Drawing No. 486V4A)

WHEN ORDERING SPARE PARTS ALWAYS QUOTE THE SERIAL NUMBER OF THE MACHINE



WICKMAN
MULTI-SPINDLE
AUTOMATICS

SECTION NO. 486F

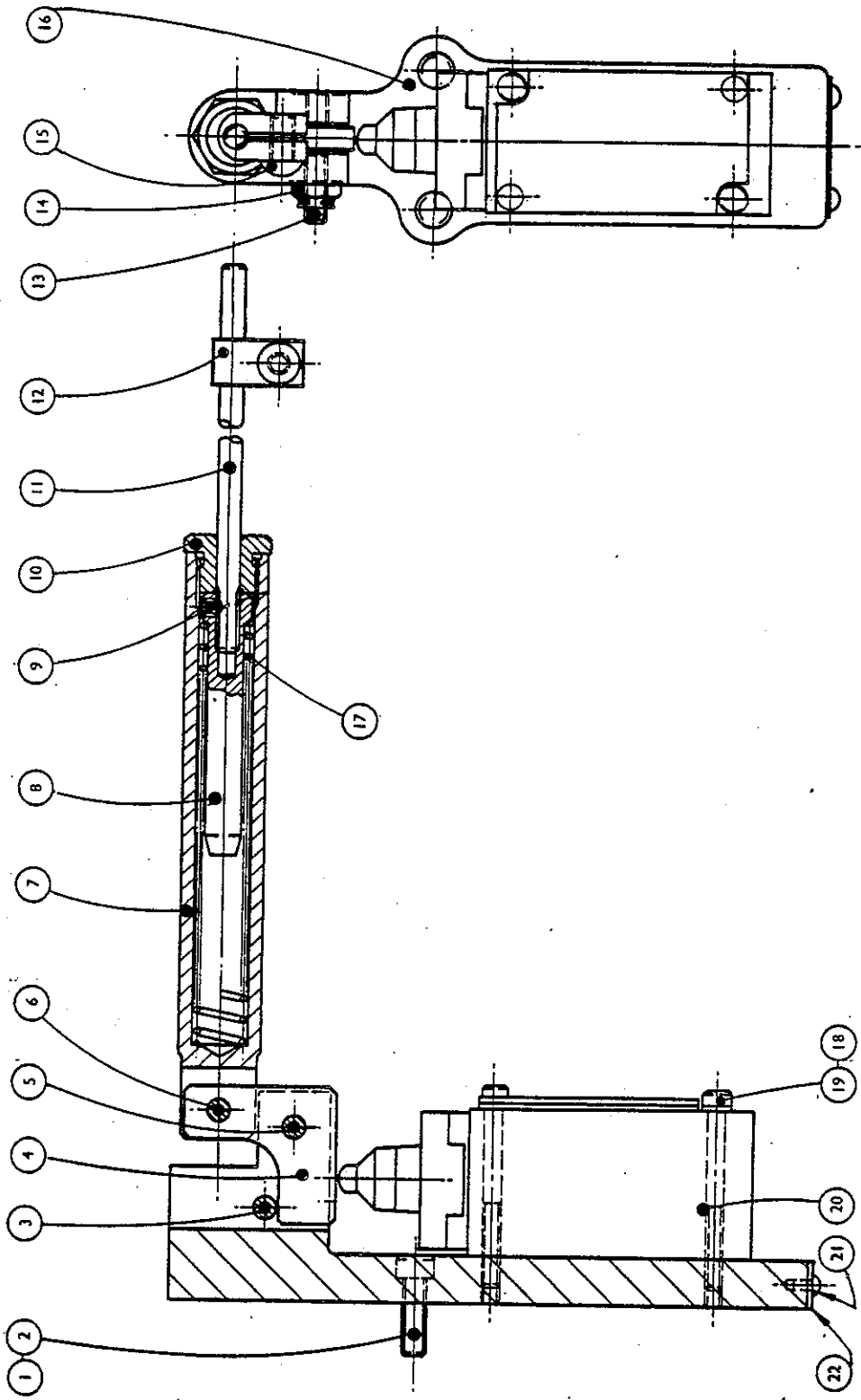
LIMIT SWITCH

$\frac{3}{4}$ " - 6, $\frac{3}{8}$ " - 6S, $\frac{5}{8}$ " - 6D MACHINES

INDEX NO.	PART NO.	TITLE
1	164/04	Spring Washer, $\frac{1}{2}$ " dia.
2	165/0416	Socket Head Cap Screw, $\frac{1}{2}$ " B.S.F. x 1" long
3	143/08168	Mills Pin, Type B, $\frac{1}{4}$ " dia. x 1" long
4	186X.151	Lever
5	143/08168	Mills Pin, Type B, $\frac{1}{4}$ " dia. x 1" long
6	143/08128	Mills Pin, Type B, $\frac{1}{4}$ " dia. x $\frac{3}{4}$ " long
7	486X.164	Spring Box
8	486X.163	Rod End
9	180/203	Socket Set Screw, Cone Point, 2 B.A. x $\frac{3}{16}$ " long
10	486X.166	Cap
11	486X.162	Trip Rod
12	486X.119A	Trip Clamp
13	178/0412	Socket Set Screw, Half Dog, $\frac{1}{4}$ " B.S.F. x $\frac{1}{4}$ " long
14	203/04	Self-locking Nut, $\frac{1}{4}$ " B.S.F.
15	160/0408	Dome Head Screw
16	486X.161A	Switch Base
17	486X.165	Spring
18	154/03	Spring Washer, $\frac{3}{16}$ " dia.
19	156/232	Socket Head Cap Screw, 2 B.A. x 2" long
20	853E	' Square D' Limit Switch
21	196/403	Drive Screw, $\frac{3}{16}$ " long
22	291/11	Legend Plate, " 11 LS"

List of Parts for
PLATE No. 45
(Drawing No. 486V6B)

WHEN ORDERING SPARE PARTS ALWAYS QUOTE THE SERIAL NUMBER OF THE MACHINE



WICKMAN
MULTI-SPINDLE
AUTOMATICS

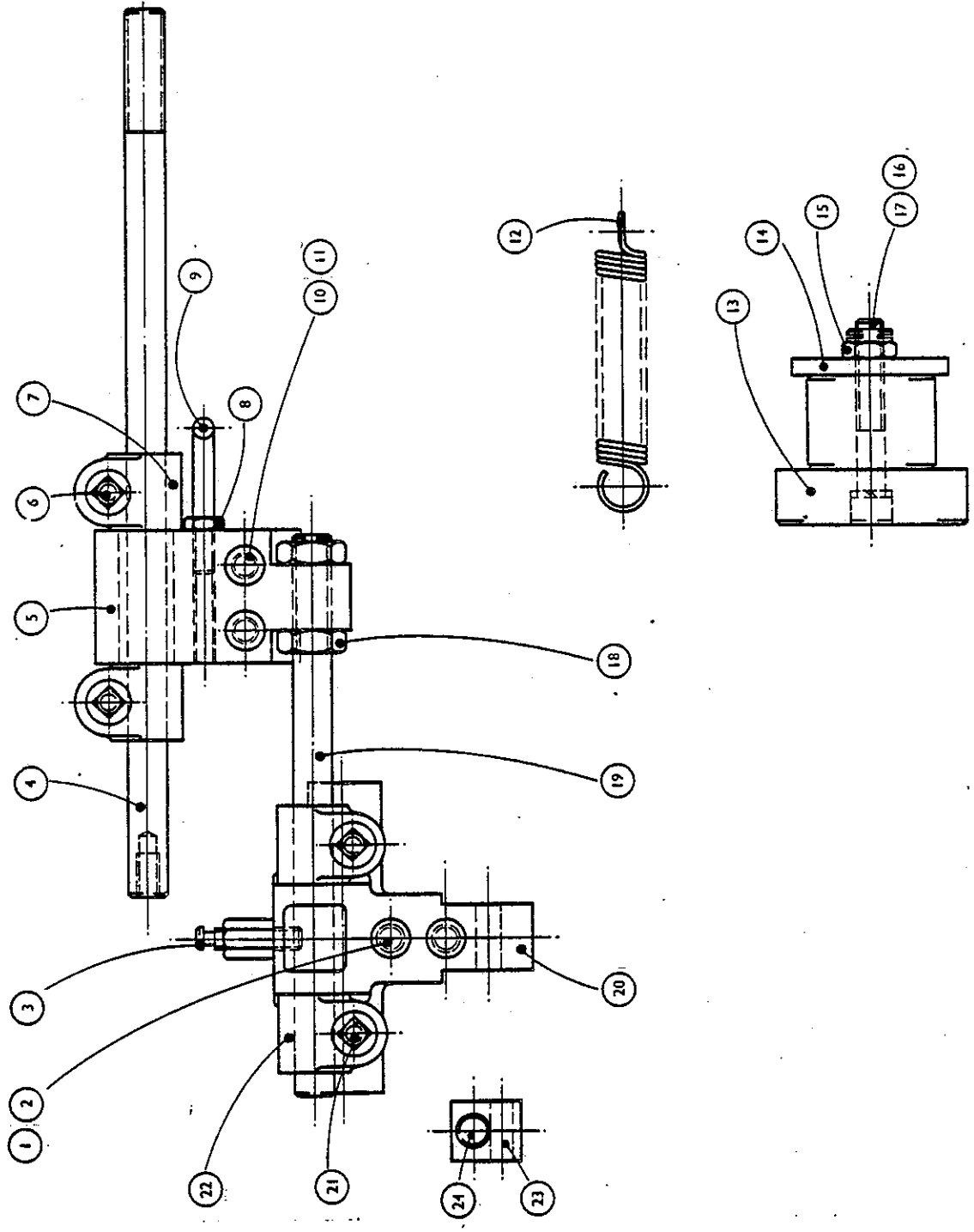
SECTION NO. 486H

EXTRA PARTS FOR THREADING ATTACHMENT MK. I (FOR USE WITH PICK-UP ATTACHMENT), STATIONS 4 & 5
¾" - 6, ¾" - 6S, ¾" - 6D MACHINES

INDEX NO.	PART NO.	TITLE
1	154/05	Spring Washer, 5/16" dia.
2	155/0528	Socket Head Cap Screw, 5/16" B.S.F. x 1¾" long
3	508X.208	Spring Anchor
4	486X.121	Push Rod
5	486X.169	Slide Bracket
6	195/0412	Clamping Collar Head Screw, ¼" B.S.F. x ¾" long
7	489X.115	Push Rod Clamp
8	173/04L	Hexagon Locknut, ¼" B.S.F.
9	486X.160	Spring Anchor
10	155/0616	Socket Head Cap Screw, 5/16" B.S.F. x 1" long
11	154/05	Spring Washer, 5/16" dia.
12	486X.139A	Return Spring
13	486X.170	Sleeve
14	486X.171	Washer
15	203/05L	Hexagon Nut, 5/16" B.S.F.
16	154/05	Spring Washer, 5/16" dia.
17	155/0532	Socket Head Cap Screw, 5/16" B.S.F. x 2" long
18	173/07L	Hexagon Locknut, 7/16" B.S.F.
19	486X.122A	Push Rod
20	486V.168A	Threading Attachment Bracket
21	195/0412	Clamping Collar Head Screw, ¼" B.S.F. x ¾" long
22	489X.115	Push Rod Clamp
23	486X.173	Clamp
24	155/0408	Socket Head Cap Screw, ¼" B.S.F. x ½" long

List of Parts for
PLATE No. 46
(Drawing No. 486V7A)

WHEN ORDERING SPARE PARTS ALWAYS QUOTE THE SERIAL NUMBER OF THE MACHINE



WICKMAN
MULTI-SPINDLE
AUTOMATICS

SECTION NO. 486

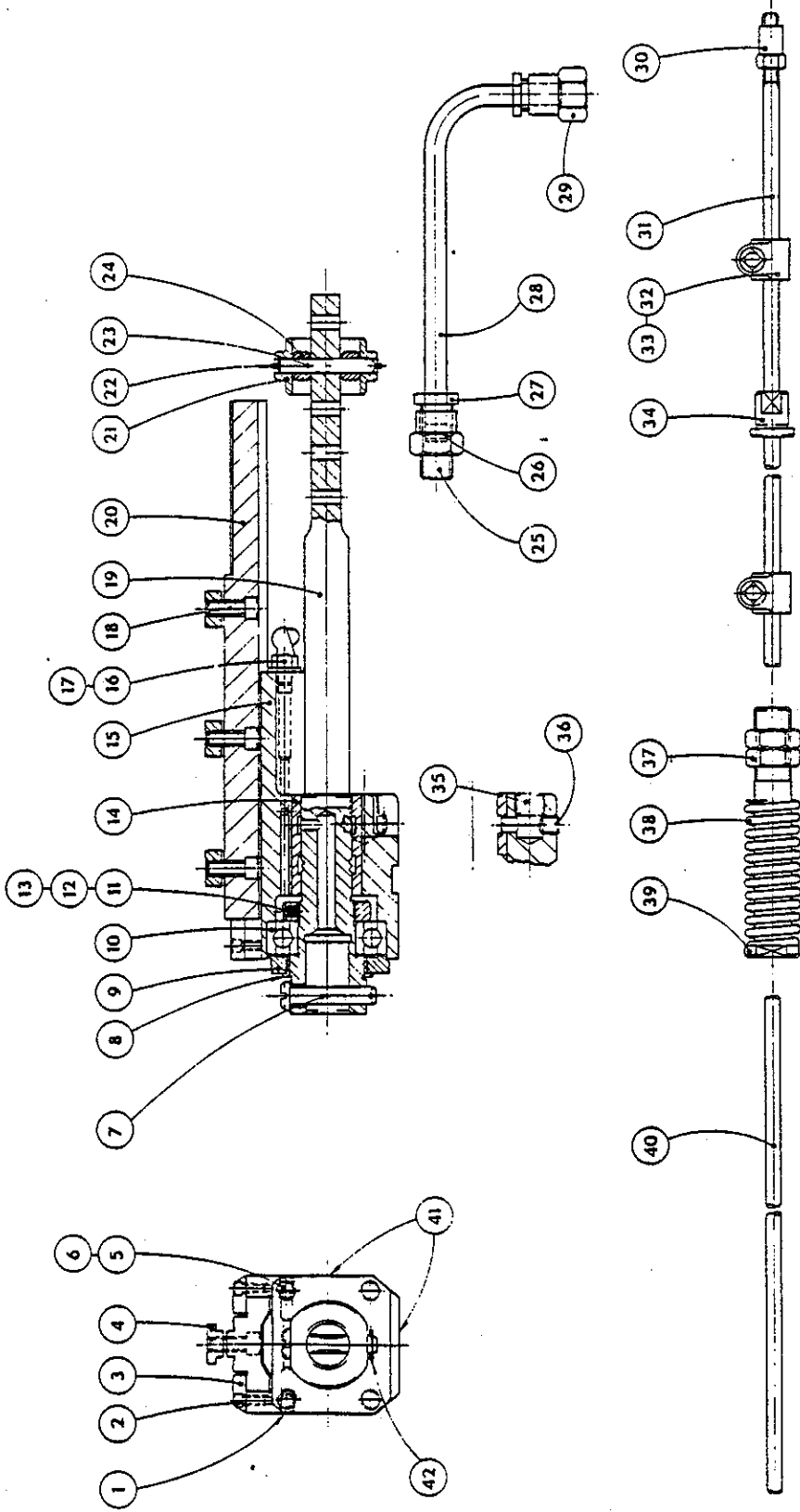
COMMON PARTS TO THREADING ATTACHMENT MK.I, ALL STATIONS

$\frac{3}{8}$ " - 6, $\frac{3}{8}$ " - 6S, $\frac{3}{8}$ " - 6D MACHINES

INDEX NO.	PART NO.	TITLE
1	176/0405	Socket Set Screw, $\frac{1}{4}$ " B.S.F. x $\frac{5}{16}$ " long
2	166/406	Socket Head Cap Screw, 4 B.A. x $\frac{3}{4}$ " long
3	486X.107	Guide Strips
4	488X.111	Tee Nut
5	156/208	Socket Head Cap Screw, 2 B.A. x $\frac{1}{2}$ " long
6	154/03	Spring Washer, $\frac{3}{16}$ " dia.
7	486X.115A	Drive Pin
8	486X.112	Thrower Ring
9	486X.111	Bearing Cap
10	258/25	Ball Journal, Light, 25 x 52 x 15 mm
11	486X.167	Nut
12	179/203	Socket Set Screw, 2 B.A. x $\frac{3}{16}$ " long
13	153/42	Soft Pad, for 2 B.A.
14	486X.117	Bush
15	486V.101B	Threading Attachment Body
16	212/9004	Oil Nipple, 90° $\frac{1}{4}$ " B.S.F.
17	210/1725	Indicator Washer, Yellow, $\frac{1}{4}$ " B.S.F.
18	155/0410	Socket Head Cap Screw, $\frac{1}{4}$ " B.S.F. x $\frac{5}{8}$ " long
19	486V.106A	Threading Spindle
20	488X.103	Slide
21	486X.116	Retaining Collar
22	355/176	Retaining Ring, Extensaf, $\frac{1}{4}$ " dia.
23	486X.114	Roller Pin
24	486X.113	Roller
25	218/19	Enots Male Adaptor, $\frac{3}{8}$ " Tube }
26	221/8	Enots Tubing Sleeve, $\frac{3}{8}$ " Tube } Assembly
27	215/10	Enots Tubing Nut, $\frac{3}{8}$ " Tube } 486X.172
28	225/618	Copper Tube, $\frac{1}{2}$ " }
29	220/17	Enots Female Adaptor, $\frac{3}{8}$ " Tube }
30	488X.109	Nut
31	486X.124	Diehead Rod
32	486X.119A	Trip Clamp
33	160/0408	Socket Dome Head Screw, $\frac{1}{4}$ " B.S.F. x $\frac{1}{2}$ " long
34	486X.127	Trip Bush
35	194/2	Pipe Plug, $\frac{1}{4}$ " B.S.P.
36	176/0504	Socket Set Screw, Cup Point, $\frac{5}{16}$ " B.S.F. x $\frac{1}{2}$ " long
37	486X.118	Pusher Sleeve Locknut
38	486X.129	Feed Spring
39	486X.128	Pusher Spring Sleeve
40	486X.123	Trip Rod
41	176/0505	Socket Set Screw, $\frac{5}{16}$ " B.S.F. x $\frac{5}{16}$ " long
42	327/0405	Cotter Pin, Split, $\frac{1}{16}$ " dia. x $\frac{5}{8}$ " long

List of Parts for
PLATE No.47
(Drawing No.486Y1B)

WHEN ORDERING SPARE PARTS ALWAYS QUOTE THE SERIAL NUMBER OF THE MACHINE



**WICKMAN
MULTI-SPINDLE
AUTOMATICS**

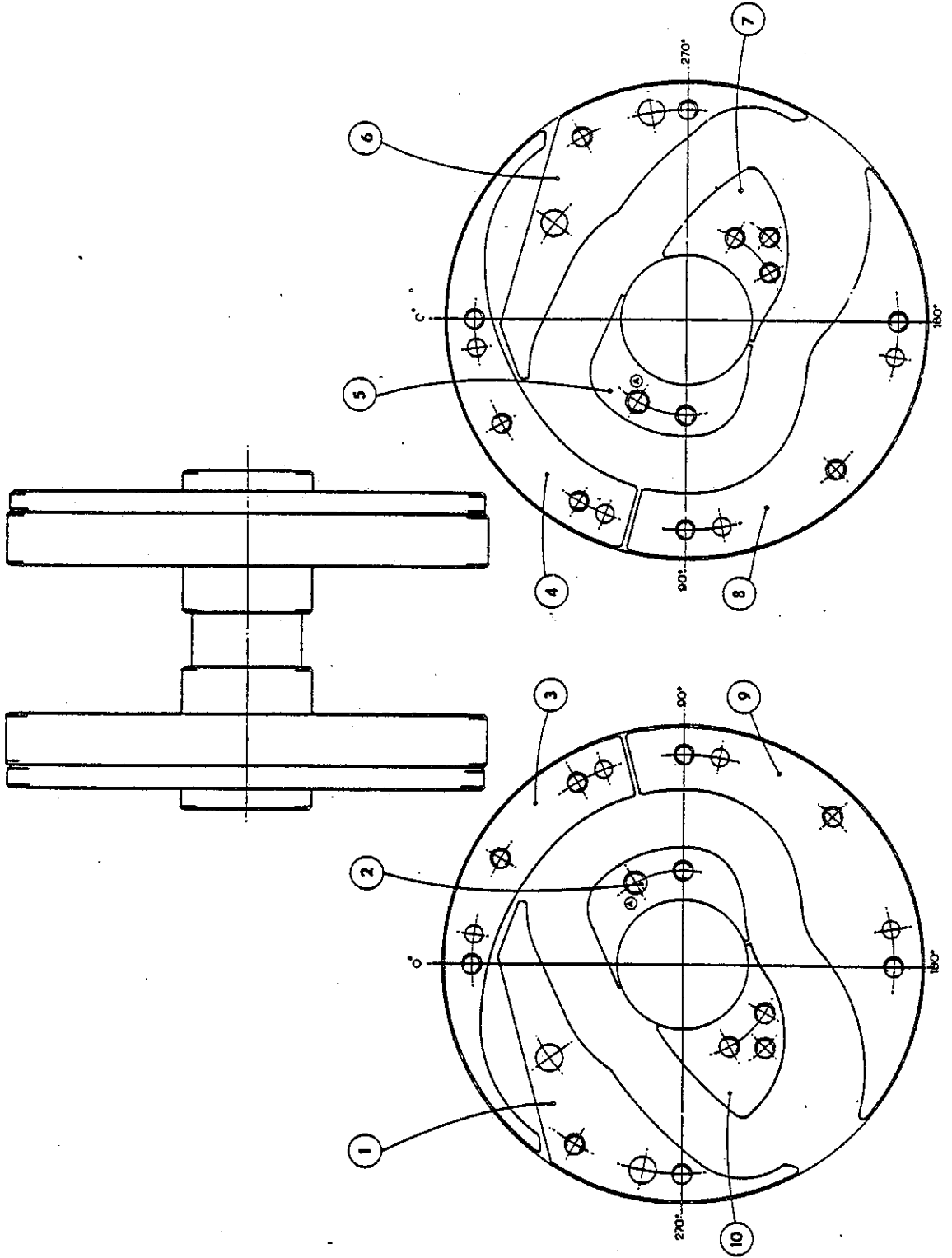
THREADING CAMS MK. III, STATIONS 4 & 5

$\frac{3}{8}$ "—6, $\frac{3}{8}$ "—6S, $\frac{3}{8}$ "—6D MACHINES

INDEX NO.	PART NO.	TITLE
1	486V.142B	Outer Return Cam, Station 5
2	486X.135B	Return Cam, Station 5
3	424X.125B	Outer Return Cam
4	425X.106B	Outer Return Cam
5	486X.137B	Return Cam, Station 4
6	486V.143B	Outer Return Cam, Station 4
7	486X.136B	Threading Cam, Station 4
8	425X.107C	Outer Guard Cam
9	424V.124C	Outer Guard Cam
10	486X.134B	Threading Cam, Station 5

List of Parts for
PLATE No. 48
(Drawing No. 486Y5B)

WHEN ORDERING SPARE PARTS ALWAYS QUOTE THE SERIAL NUMBER OF THE MACHINE



**WICKMAN
MULTI-SPINDLE
AUTOMATICS**

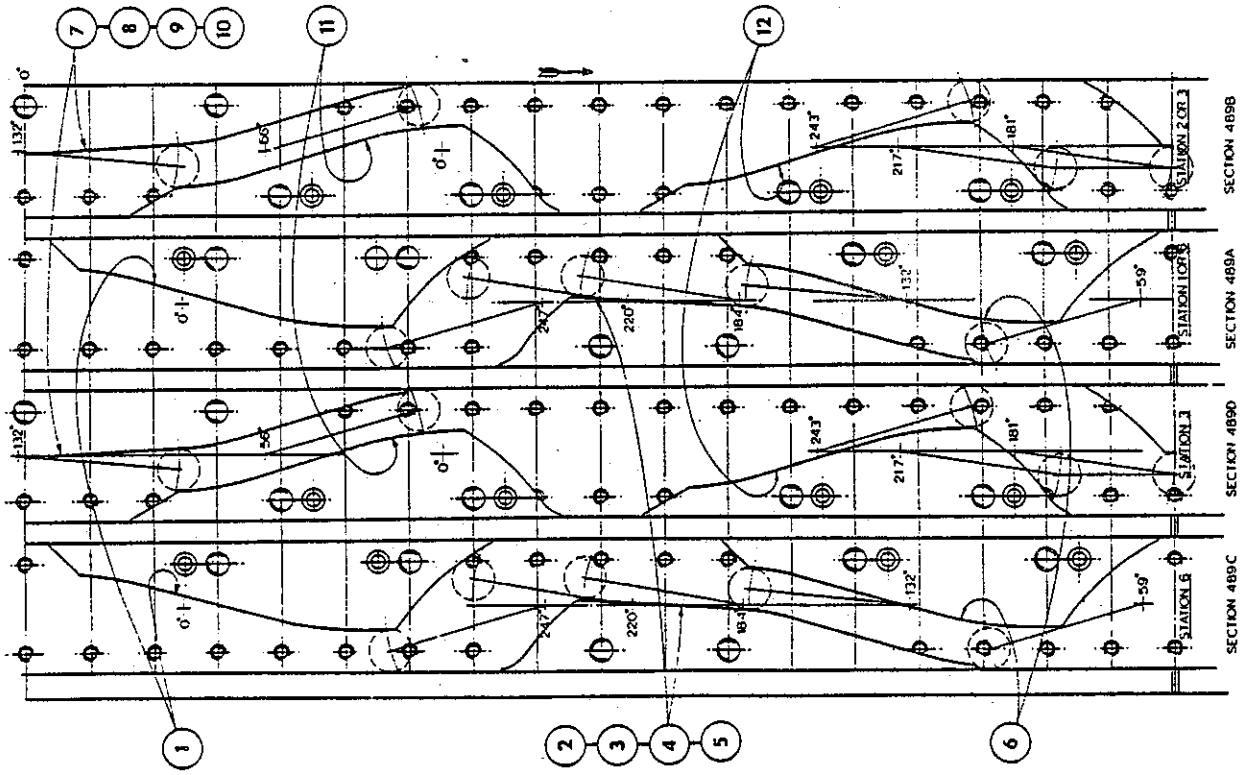
THREADING CAMS, STATIONS 1, 2, 3 & 6

$\frac{3}{8}$ "—6, $\frac{3}{8}$ "—6S, $\frac{3}{8}$ "—6D MACHINES

INDEX NO.	PART NO.	TITLE
1	487X.122A	Guard and Return Cam, Stations 1 & 6
2	487Y.106A	Threading Cam, Stations 1 & 6
3	487Y.107A	Threading Cam, Stations 1 & 6
4	487Y.108A	Threading Cam, Stations 1 & 6
5	487Y.109A	Threading Cam, Stations 1 & 6
6	487V.122A	Guard and Return Cam, Stations 1 & 6
7	487V.114A	Threading Cam, Stations 2 & 3
8	487V.115A	Threading Cam, Stations 2 & 3
9	487V.116A	Threading Cam, Stations 2 & 3
10	487V.117A	Threading Cam, Stations 2 & 3
11	487X.124A	Guard and Return Cam, Stations 2 & 3
12	487X.124A	Guard and Return Cam, Stations 2 & 3

List of Parts for
PLATE No. 49
(Drawing No. 487Z1A)

WHEN ORDERING SPARE PARTS ALWAYS QUOTE THE SERIAL NUMBER OF THE MACHINE



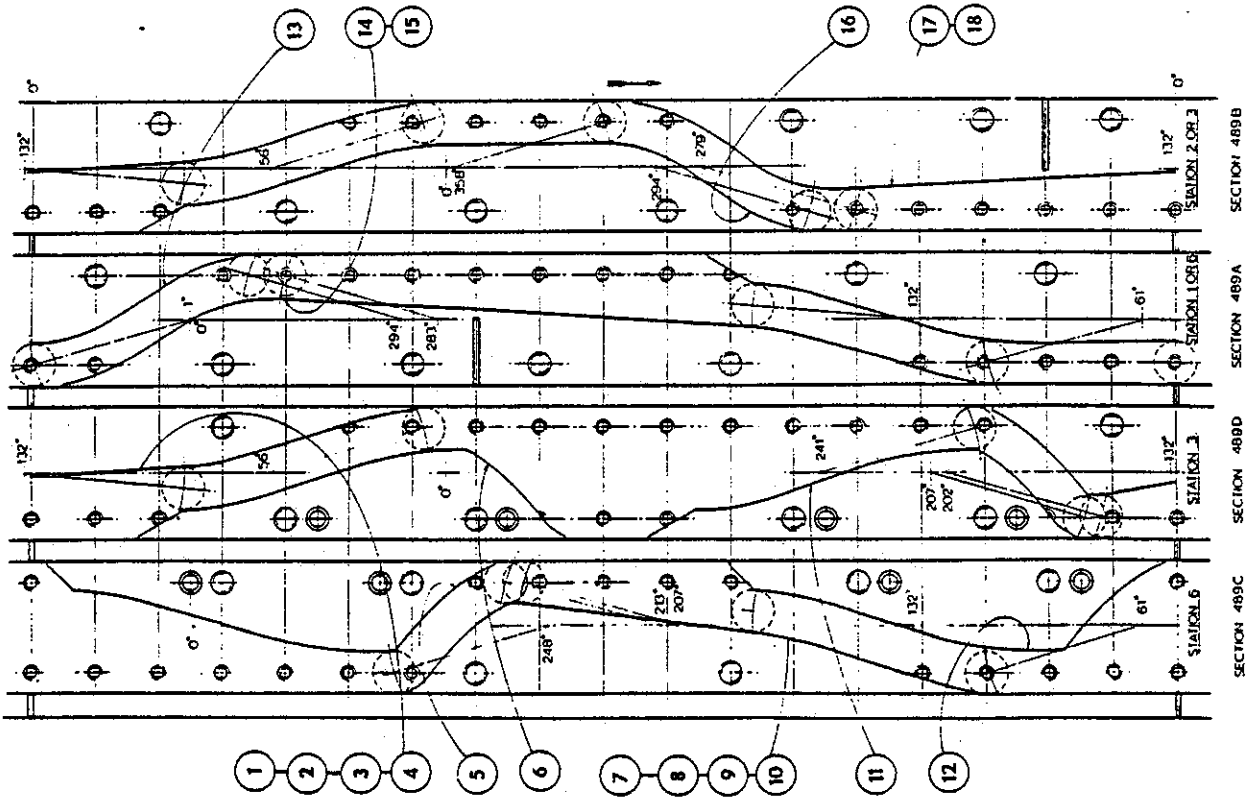
**WICKMAN
MULTI-SPINDLE
AUTOMATICS**

REAMING CAMS, STATIONS 1, 2, 3 & 6
 $\frac{3}{8}$ "—6, $\frac{3}{8}$ "—6S, $\frac{3}{8}$ "—6D MACHINES

INDEX NO.	PART NO.	TITLE
1	487V.110A	Reaming Cam, Accelerated Timing, Stations 2 & 3
2	487V.111A	Reaming Cam, Accelerated Timing, Stations 2 & 3
3	487V.112A	Reaming Cam, Accelerated Timing, Stations 2 & 3
4	487V.113A	Reaming Cam, Accelerated Timing, Stations 2 & 3
5	487V.122A	Guard and Return Cam, Stations 1 & 6
6	487X.124A	Guard and Return Cam, Stations 2 & 3
7	487V.102A	Reaming Cam, Accelerated Timing, Stations 1 & 6
8	487V.103A	Reaming Cam, Accelerated Timing, Stations 1 & 6
9	487V.104A	Reaming Cam, Accelerated Timing, Stations 1 & 6
10	487V.105A	Reaming Cam, Accelerated Timing, Stations 1 & 6
11	487X.124A	Guard and Return Cam, Stations 2 & 3
12	487V.122A	Guard and Return Cam, Stations 1 & 6
13	487V.127A	Guard and Return Cam, Stations 1 & 6
14	487Y.118A	Reaming Cam, Standard Timing, Stations 1 & 6
15	487Y.119A	Reaming Cam, Standard Timing, Stations 1 & 6
16	487V.126A	Guard and Return Cam, Stations 2 & 3
17	487Y.120A	Reaming Cam, Standard Timing, Stations 2 & 3
18	487Y.121A	Reaming Cam, Standard Timing, Stations 2 & 3

List of Parts for
 PLATE No. 50
 (Drawing No. 48722A)

WHEN ORDERING SPARE PARTS ALWAYS QUOTE THE SERIAL NUMBER OF THE MACHINE



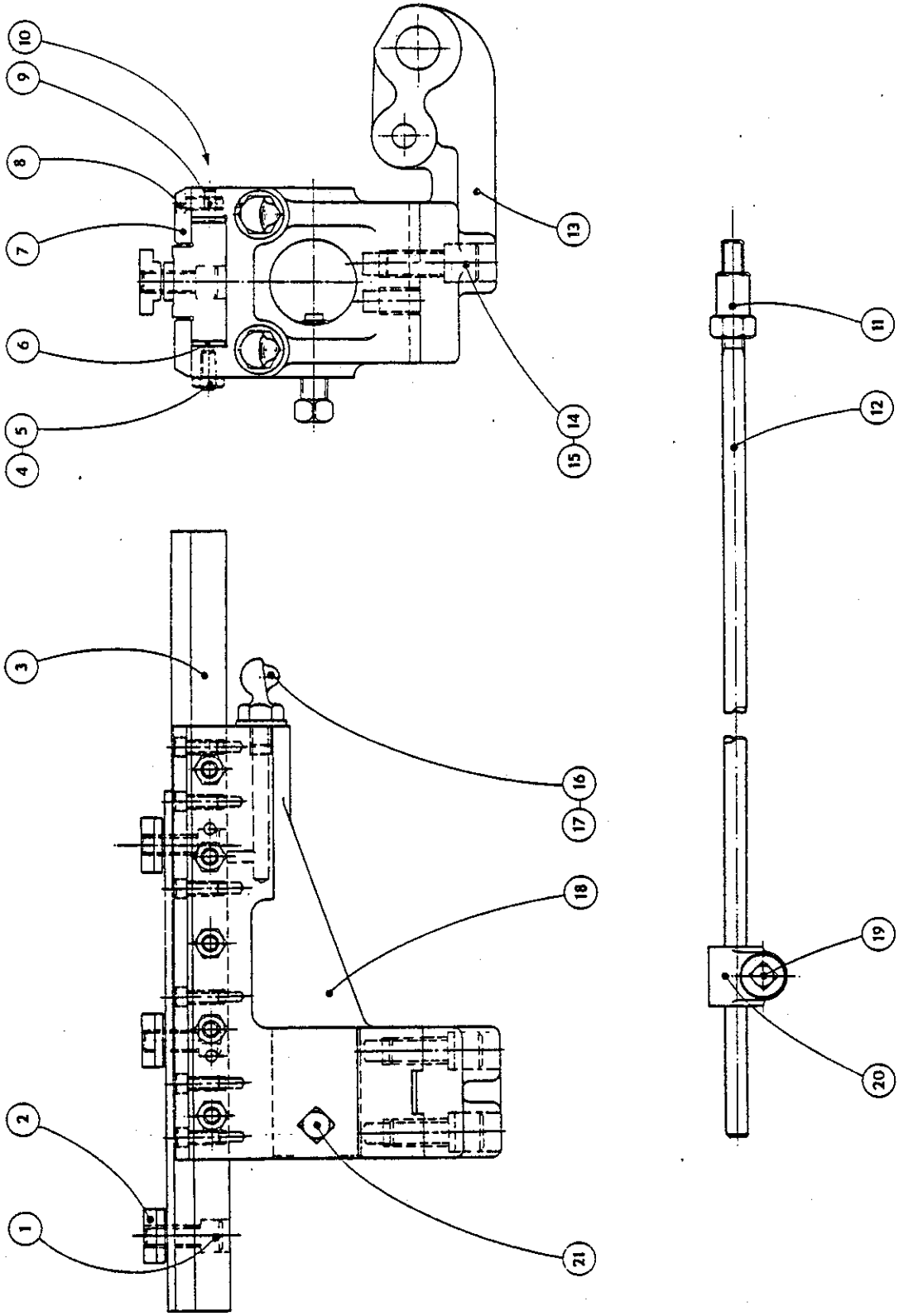
**WICKMAN
MULTI-SPINDLE
AUTOMATICS**

**REAMING ATTACHMENT BODY AND SLIDE MK. I, STATIONS 1, 2, 3 & 6
 $\frac{1}{8}$ "-6, $\frac{1}{8}$ "-6S, $\frac{1}{8}$ "-6D MACHINES**

INDEX NO.	PART NO.	TITLE
1	155/0410	Socket Head Cap Screw, $\frac{1}{8}$ " B.S.F. X $\frac{1}{8}$ " long
2	488X.111	Tee Nut
3	488X.103	Slide
4	174/2L	Hexagon Locknut, 2 B.A.
5	181/208	Socket Set Screw, Half Dog, 2 B.A. X $\frac{1}{8}$ " long
6	488X.104	Gib Strip
7	486X.107	Guide Strip
8	156/406	Socket Head Cap Screw, 4 B.A. X $\frac{1}{8}$ " long
9	326/0406	Tenston Pin, $\frac{1}{8}$ " dia. X $\frac{1}{8}$ " long
10	160/204	Socket Dome Head Screw, 2 B.A. X $\frac{1}{8}$ " long (for plugging 5 empty tapped holes)
11	488X.109	Nut
12	486X.124	Diehead Rod
13	488X.105	Reaming Bracket
14	155/0512	Socket Head Cap Screw, $\frac{1}{8}$ " B.S.F. X $\frac{1}{8}$ " long
15	154/05	Spring Washer, $\frac{1}{8}$ " dia.
16	212/9004	Grease Nipple, 90°, $\frac{1}{8}$ " B.S.F.
17	210/1725	Indicator Washer, Yellow, $\frac{1}{8}$ " dia.
18	488V.101	Reaming Slide Body
19	195/0408	"Naylor" Collar Head Screw, $\frac{1}{8}$ " B.S.F. X $\frac{1}{8}$ " long
20	486X.119	Trip Clamp
21	188/0516	Socket Head Set Screw, $\frac{1}{8}$ " B.S.F. X $\frac{1}{8}$ " long

List of Parts for
PLATE No. 51
(Drawing No. 488VI)

WHEN ORDERING SPARE PARTS ALWAYS QUOTE THE SERIAL NUMBER OF THE MACHINE

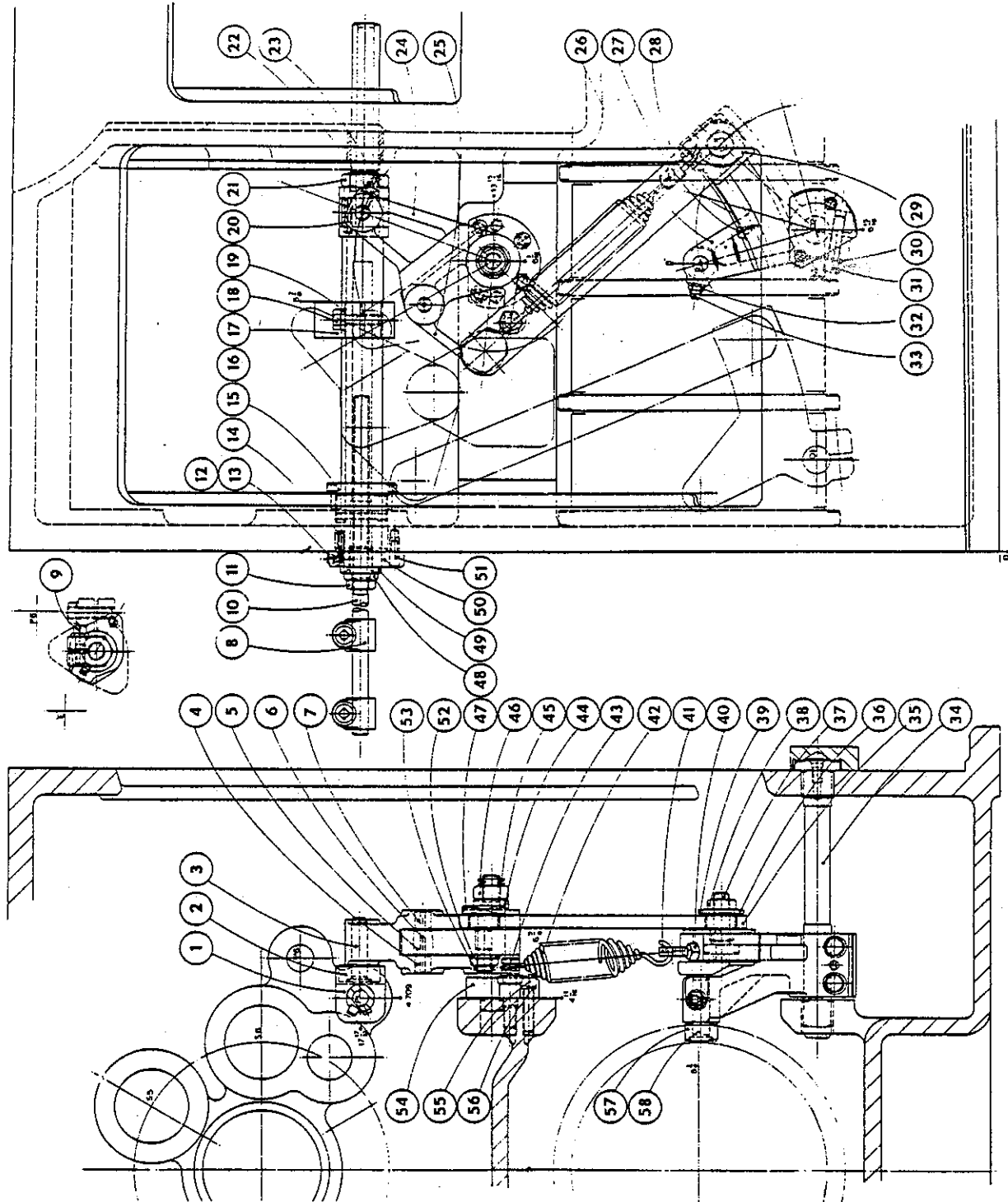


**WICKMAN
MULTI-SPINDLE
AUTOMATICS**
**AUXILIARY LONGITUDINAL MOTION MK. I, STATIONS 1 OR 6
3/8"-6, 3/8"-6S, 3/8"-6D MACHINES**

INDEX NO.	PART NO.	TITLE	INDEX NO.	PART NO.	TITLE
1	489X.104	Glut	30	154/05	Spring Washer, 3/8" dia.
2	489X.112	Slipper	31	155/0520	Socket Head Cap Screw, 3/8" x 1 1/2" long
3	489X.121	Roller Pin	32	203/04	Self-locking Nut, 3/8" B.S.F.
4	489X.118	Shear Pin Bush	33	182/0416	Socket Set Screw, Taper Point, 3/8" B.S.F. x 1" long
5	489X.119	Shear Pin Bush	34	489X.103	Pivot Pin
6	124/0426	Parallel Pin, 3/8" dia. x 1 1/2" long	35	489X.105	Link
7	489X.118	Shear Pin Bush	36	489X.107	Link Bush
8	489X.115	Push Rod Clamp	37	489X.123	Tee Bolt
9	195/0412	Collar Head Screw, 3/8" B.S.F. x 3/4" long	38	173/07HL	Hexagon Locknut, Hardened, 3/8" B.S.F.
10	489X.114	Push Rod	39	441X.116	Slotted Washer
11	173/07HL	Hexagon Locknut, Hardened, 3/8" B.S.F.	40	173/05D	Hexagon Nut, Double Chamfer, 3/8" B.S.F.
12	156/404	Socket Head Cap Screw, 4 B.A. x 3/4" long	41	489X.129	Spring Anchor
13	154/4	Spring Washer, 4 B.A.	42	489X.124	Spring
14	489X.141	Key	43	489X.130	Spring Anchor
15	489X.109	Nut	44	489X.142	Spacer
16	326/0606	Retaining Pin, 3/8" dia. x 3/4" long	45	489X.107	Link Bush
17	489X.120A	Clamp	46	203/08	Self-locking Nut, 3/8" B.S.F.
18	169/0516	High Tensile Hexagon Screw, 3/8" B.S.F. x 1" long	47	489X.125	Link Pin
19	130/05	Flat Washer, 3/8" dia.	48	489X.113A	Push Rod Adaptor
20	122/0816	Parallel Key, 3/8" x 3/8" x 1" long	49	489X.110	Pusher Shaft
21	489X.143	Locknut	50	489X.111	Push Rod Guide
22	203/04	Self-locking Nut, 3/8" B.S.F.	51	489X.127	Dowel
23	182/0416	Socket Set Screw, Taper Point, 3/8" B.S.F. x 1" long	52	130/07	Flat Washer, 3/8" dia.
24	489X.102	Operating Lever	53	203/07L	Self-locking Nut, Thin, 3/8" B.S.F.
25	489X.117	Operating Plate	54	489X.116	Operating Lever Pivot
26	489Y.101	Quadrant Lever	55	155/0520	Socket Head Cap Screw, 3/8" B.S.F. x 1 1/2" long
27	165/204	Round Head Set Screw, 2 B.A. x 3/4" long	56	154/05	Spring Washer, 3/8" dia.
28	489X.106	Scale	57	402X.129	Roller
29	489X.122	Sliding Sleeve	58	489X.121	Roller Pin

List of Parts for
PLATE No. 52
(Drawing No. 489Z1)

WHEN ORDERING SPARE PARTS ALWAYS QUOTE THE SERIAL NUMBER OF THE MACHINE

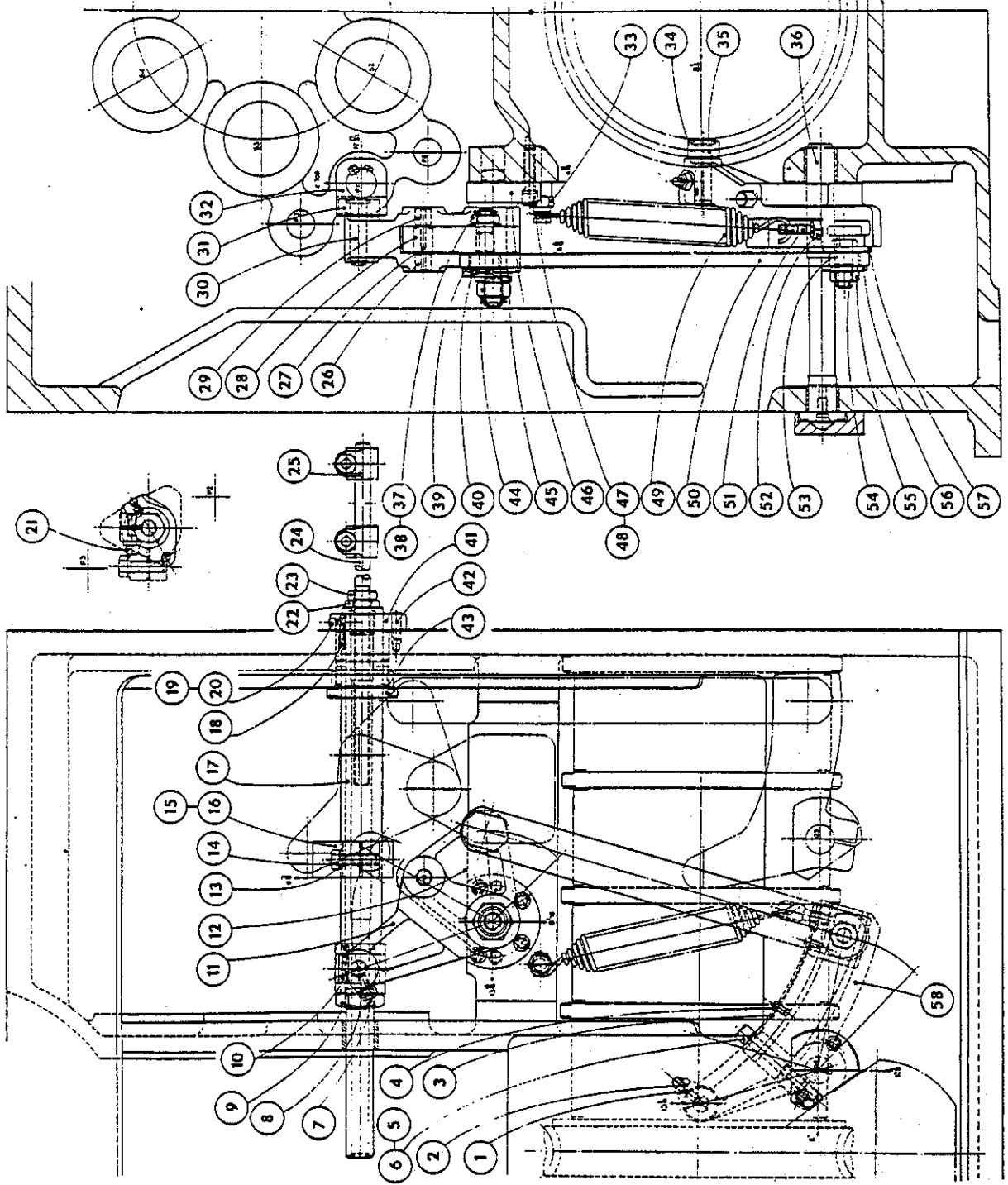


**WICKMAN
MULTI-SPINDLE
AUTOMATICS**
AUXILIARY LONGITUDINAL MOTION MK. I, STATIONS 2 OR 3
 $\frac{1}{8}$ "—6, $\frac{1}{8}$ "—6S, $\frac{1}{8}$ "—6D MACHINES

INDEX NO.	PART NO.	TITLE	INDEX NO.	PART NO.	TITLE
1	182/0416	Socket Set Screw, Taper Point, $\frac{1}{8}$ " B.S.F. x $\frac{1}{8}$ " long	29	489X.118	Shear Pin Bush
2	203/04	Self-locking Nut, $\frac{1}{8}$ " B.S.F.	30	489X.121	Roller Pin
3	489X.136	Scale	31	489X.112	Slipper
4	165/204	Round Head Set Screw, 2 B.A. x $\frac{1}{4}$ " long	32	489X.104	Glut
5	154/05	Spring Washer, $\frac{1}{8}$ " dia.	33	489X.130	Spring Anchor
6	155/0540	Socket Head Cap Screw, $\frac{1}{8}$ " B.S.F. x $2\frac{1}{2}$ " long	34	402X.129	Spring Anchor
7	182/0416	Socket Set Screw, Taper Point, $\frac{1}{8}$ " B.S.F. x $\frac{1}{8}$ " long	35	489X.121	Roller Pin
8	203/04	Self-locking Nut, $\frac{1}{8}$ " B.S.F.	36	489X.103	Pivot Pin
9	489X.143	Locknut	37	203/07L	Self-locking Nut, Thin, $\frac{1}{8}$ " B.S.F.
10	122/0816	Parallel Key, $\frac{1}{8}$ " x $\frac{1}{8}$ " x $1\frac{1}{2}$ " long	38	130/07	Flat Washer, $\frac{1}{8}$ " dia.
11	489X.102	Operating Lever	39	489X.107	Link Bush
12	489X.117	Operating Plate	40	489X.125	Link Pin
13	130/05	Flat Washer, $\frac{1}{8}$ " dia.	41	489X.111	Push Rod Guide
14	169/0516	High Tensile Hexagon Screw, $\frac{1}{8}$ " B.S.F. x $1\frac{1}{2}$ " long	42	489X.127	Dowell
15	326/0606	Retaining Pin, $\frac{1}{8}$ " dia. x $\frac{1}{8}$ " long	43	489X.109	Nut
16	489X.120A	Clamp	44	203/08	Self-locking Nut, $\frac{1}{8}$ " B.S.F.
17	489X.110	Pusher Shaft	45	489X.142	Spacer
18	489X.141	Key	46	489X.116	Operating Lever Pivot
19	156/404	Socket Head Cap Screw, 4 B.A. x $\frac{1}{4}$ " long	47	154/05	Spring Washer, $\frac{1}{8}$ " dia.
20	154/4	Spring Washer, 4 B.A.	48	155/0520	Socket Head Cap Screw, $\frac{1}{8}$ " B.S.F. x $1\frac{1}{4}$ " long
21	195/0412	Collar Head Screw, $\frac{1}{8}$ " B.S.F. x $\frac{3}{4}$ " long	49	489X.126	Spring
22	489X.113A	Push Rod Adaptor	50	489X.135	Link
23	173/07HL	Hexagon Locknut, Hardened, $\frac{1}{8}$ " B.S.F.	51	489X.129	Spring Anchor
24	489X.114	Push Rod	52	173/05D	Hexagon Nut, Double Chamfer, $\frac{1}{8}$ " B.S.F.
25	489X.115	Push Rod Clamp	53	489X.107	Link Bush
26	489X.118	Shear Pin Bush	54	489X.123	Tee Bolt
27	124/0426	Parallel Pin, $\frac{1}{8}$ " dia. x $1\frac{3}{4}$ " long	55	173/07HL	Hexagon Locknut, Hardened, $\frac{1}{8}$ " B.S.F.
28	489X.119	Shear Pin Bush	56	441X.116	Slotted Washer
			57	489X.122	Sliding Sleeve
			58	489Y.131	Quadrant Lever

List of Parts for
PLATE No. 53
(Drawing No. 489Z2)

WHEN ORDERING SPARE PARTS ALWAYS QUOTE THE SERIAL NUMBER OF THE MACHINE

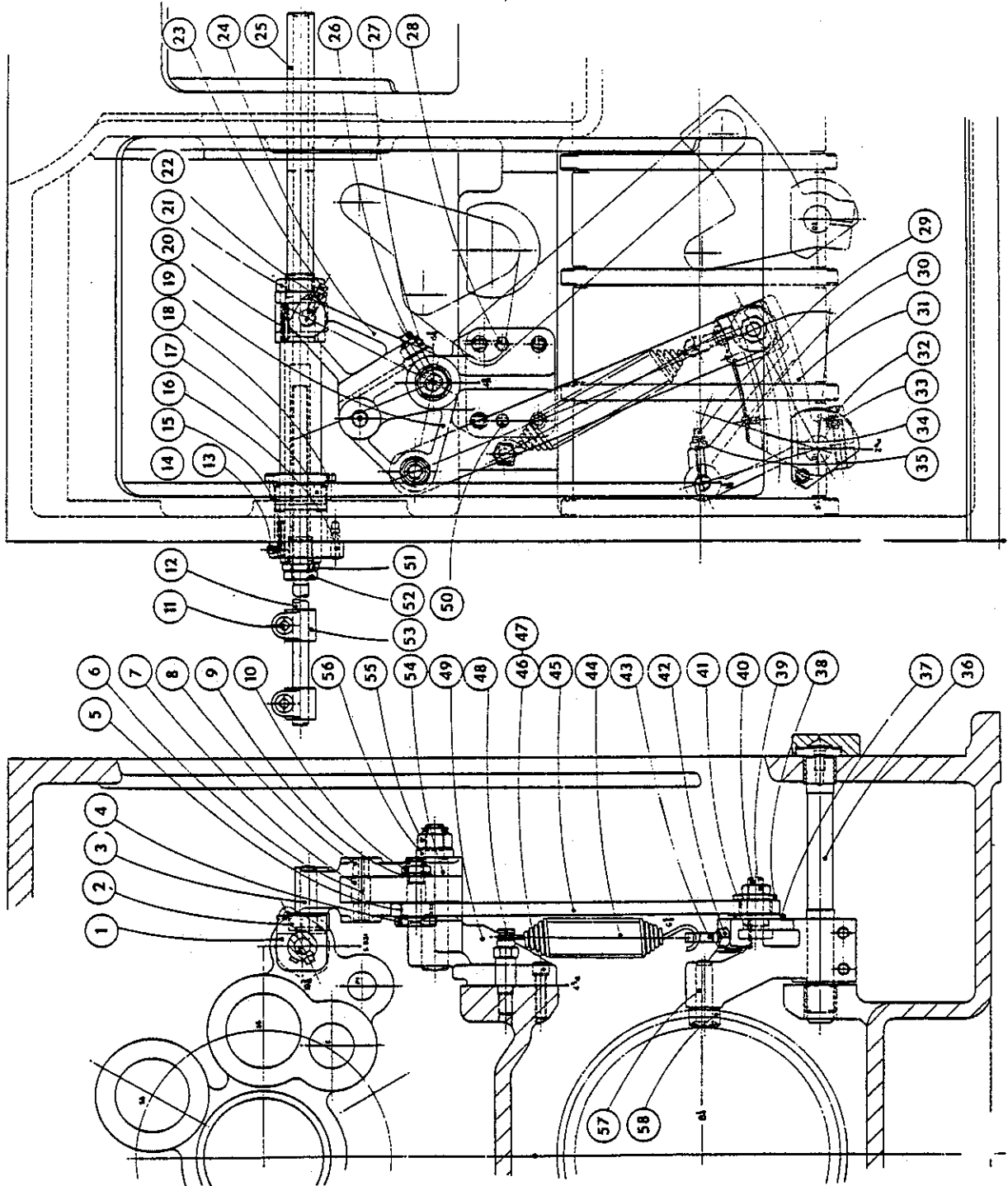


**WICKMAN
MULTI-SPINDLE
AUTOMATICS**
AUXILIARY LONGITUDINAL MOTION MK. I, STATION 6
 $\frac{1}{2}$ "—6, $\frac{1}{8}$ "—6S, $\frac{1}{8}$ "—6D MACHINES

INDEX NO.	PART NO.	TITLE	INDEX NO.	PART NO.	TITLE
1	489X.104	Glut	29	182/0424	Socket Set Scrw, Taper Point, $\frac{1}{4}$ " B.S.F. X $1\frac{1}{2}$ " long
2	489X.112	Slipper	30	165/204	Round Head Set Screw, 2 B.A. X $\frac{1}{4}$ " long
3	489X.121	Roller Pin	31	489Y.133	Quadrant Lever
4	489X.125	Link Pin	32	155/0520	Socket Head Cap Screw, $\frac{3}{16}$ " B.S.F. X $1\frac{1}{4}$ " long
5	489X.107	Link Bush	33	154/05	Spring Washer, $\frac{3}{16}$ " dia.
6	124/0426	Parallel Pin, $\frac{1}{8}$ " dia. X $1\frac{1}{2}$ " long	34	489X.106	Scale
7	489X.119	Shear Pin Bush	35	203/04	Self-locking Nut, $\frac{1}{4}$ " B.S.F.
8	489X.118	Shear Pin Bush	36	489X.103	Pivot Pin
9	130/07	Flat Washer, $\frac{7}{16}$ " dia.	37	489X.122	Sliding Sleeve
10	203/07L	Self-locking Nut, Thin, $\frac{7}{16}$ " B.S.F.	38	441X.116	Operating Lever Pivot
11	195/0412	Collar Head Screw, $\frac{1}{4}$ " B.S.F. X $\frac{1}{2}$ " long	39	173/07HL	Hexagon Locknut, Hardened, $\frac{3}{16}$ " B.S.F.
12	489X.114	Push Rod	40	489X.123	Tee Bolt
13	156/404	Socket Head Cap Screw, 4 B.A. X $\frac{1}{4}$ " long	41	489X.107	Link Bush
14	154/4	Spring Washer, 4 B.A.	42	173/05D	Hexagon Nut, Double Chamfer, $\frac{3}{16}$ " B.S.F.
15	489X.141	Key	43	489X.129	Spring Anchor
16	489X.127	Dowel	44	489X.124	Spring
17	489X.111	Push Rod Guide	45	489X.137	Link
18	489X.109	Nut	46	155/0520	Socket Head Cap Screw, $\frac{3}{16}$ " B.S.F. X $1\frac{1}{2}$ " long
19	489X.117	Operating Plate	47	154/05	Spring Washer, $\frac{5}{16}$ " dia.
20	122/0816	Parallel Key, $\frac{1}{4}$ " X $\frac{3}{16}$ " X $1\frac{1}{2}$ " long	48	489/144	Spring Anchor
21	489X.143	Locknut	49	489X.140A	Operating Lever Pivot Bracket
22	203/04	Self-locking Nut, $\frac{1}{4}$ " B.S.F.	50	489X.128	Dowel
23	182/0416	Socket Set Screw, Taper Point, $\frac{1}{4}$ " B.S.F. X $1\frac{1}{2}$ " long	51	489X.113A	Push Rod Adaptor
24	489X.102	Operating Lever	52	173/07HL	Hexagon Locknut, Hardened, $\frac{3}{16}$ " B.S.F.
25	489X.134A	Pusher Shaft	53	489X.115	Push Rod Clamp
26	182/0624	Socket Set Screw, Taper Point, $\frac{3}{16}$ " B.S.F. X $1\frac{1}{2}$ " long	54	489X.139	Operating Lever Pivot
27	203/06	Self-locking Nut, $\frac{3}{8}$ " B.S.F.	55	203/08	Self-locking Nut, $\frac{1}{4}$ " B.S.F.
28	126/1216	Hard Dowel, $\frac{3}{8}$ " dia. X $1\frac{1}{2}$ " long	56	489X.142	Spacer
			57	489X.121	Roller Pin
			58	402X.129	Roller

List of Parts for
PLATE No. 54
(Drawing No. 489Z3)

WHEN ORDERING SPARE PARTS ALWAYS QUOTE THE SERIAL NUMBER OF THE MACHINE

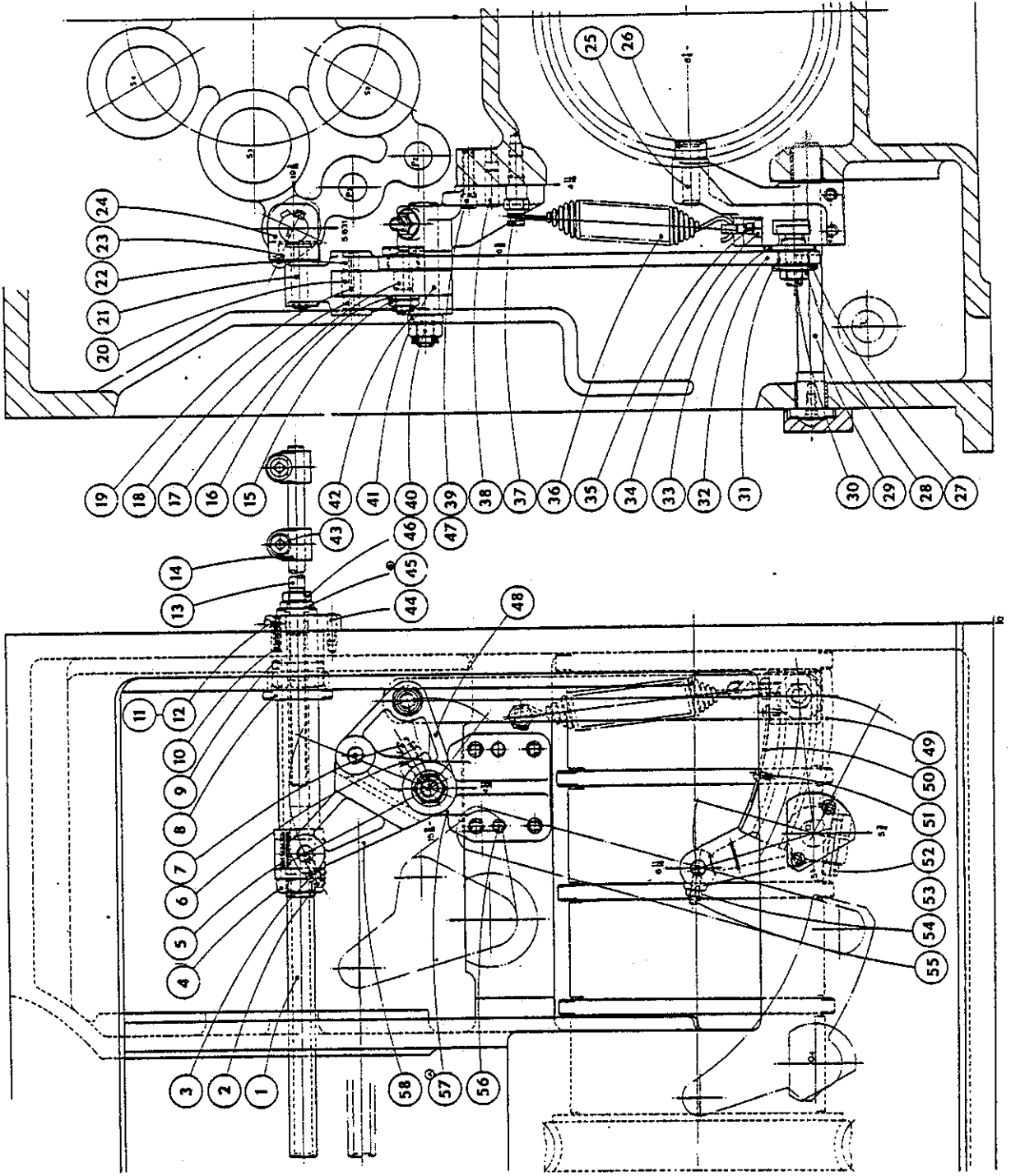


**WICKMAN
MULTI-SPINDLE
AUTOMATICS**
AUXILIARY LONGITUDINAL MOTION MK. I, STATION 3
 $\frac{3}{8}$ "-6, $\frac{3}{8}$ "-6S, $\frac{3}{8}$ "-6D MACHINES

INDEX NO.	PART NO.	TITLE	INDEX NO.	PART NO.	TITLE
1	489X.134A	Pusher Shaft	30	489X.123	Tee Bolt
2	182/0416	Socket Set Screw, Taper Point, $\frac{1}{8}$ " B.S.F. X $\frac{1}{2}$ " long	31	489X.107	Link Bush
3	203/04	Self-locking Nut, $\frac{1}{8}$ " B.S.F.	32	489X.138	Link
4	489X.143	Locknut	33	489X.122	Sliding Sleeve
5	122/0816	Parallel Key, $\frac{3}{8}$ " X $\frac{3}{8}$ " X $\frac{1}{2}$ " long	34	173/05D	Hexagon Nut, Double Chamfer, $\frac{1}{8}$ " B.S.F.
6	203/06	Self-locking Nut, $\frac{3}{8}$ " B.S.F.	35	489X.129	Spring Anchor
7	182/0624	Socket Set Screw, Taper Point, $\frac{3}{8}$ " B.S.F. X $\frac{1}{2}$ " long	36	489X.124	Spring
8	489X.109	Nut	37	489X.130	Spring Anchor
9	489X.111	Push Rod Guide	38	126/1216	Hard Dowel, $\frac{3}{8}$ " dia. X $\frac{1}{2}$ " long
10	489X.141	Key	39	155/0520	Socket Head Cap Screw, $\frac{3}{8}$ " B.S.F. X $\frac{1}{2}$ " long
11	156/404	Socket Head Cap Screw, 4 B.A. X $\frac{1}{2}$ " long	40	203/08	Self-locking Nut, $\frac{3}{8}$ " B.S.F.
12	154/4	Spring Washer, 4 B.A.	41	489X.139	Operating Lever Pivot
13	489X.114	Push Rod	42	489X.142	Spacer
14	489X.115	Push Rod Clamp	43	195/0412	Collar Head Screw, $\frac{1}{2}$ " B.S.F. X $\frac{3}{4}$ " long
15	203/07L	Self-locking Nut, Thin, $\frac{3}{8}$ " B.S.F.	44	489X.127	Dowel
16	130/07	Flat Washer, $\frac{3}{8}$ " dia.	45	489X.113A	Push, Rod Adaptor
17	489X.125	Link Pin	46	173/07HL	Hexagon Locknut, Hardened, $\frac{3}{8}$ " B.S.F.
18	489X.118	Shear Pin Bush	47	154/05	Spring Washer, $\frac{3}{8}$ " dia.
19	124/0426	Parallel Pin, $\frac{1}{8}$ " dia. X $\frac{1}{2}$ " long	48	489X.117	Operating Plate
20	489X.119	Shear Pin Bush	49	489Y.132	Quadrant Lever
21	489X.121	Roller Pin	50	489X.106	Scale
22	489X.118	Shear Pin Bush	51	165/204	Round Head Set Screw, 2 B.A. X $\frac{1}{2}$ " long
23	489X.112	Slipper	52	154/05	Spring Washer, $\frac{3}{8}$ " dia.
24	489X.104	Glut	53	155/0520	Socket Head Cap Screw, $\frac{3}{8}$ " B.S.F. X $\frac{1}{2}$ " long
25	489X.121	Roller Pin	54	203/04	Self-locking Nut, $\frac{3}{8}$ " B.S.F.
26	402X.129	Roller	55	182/0416	Socket Set Screw, Taper Point, $\frac{3}{8}$ " B.S.F. X $\frac{1}{2}$ " long
27	441X.116	Slotted Washer	56	489X.128	Dowel
28	173/07HL	Hexagon Locknut, Hardened, $\frac{3}{8}$ " B.S.F.	57	489X.140A	Operating Lever Pivot Bracket
29	489X.103	Pivot Pin	58	489X.102	Operating Lever

List of Parts for
PLATE No. 55
(Drawing No. 489Z4)

WHEN ORDERING SPARE PARTS ALWAYS QUOTE THE SERIAL NUMBER OF THE MACHINE



**WICKMAN
MULTI-SPINDLE
AUTOMATICS**

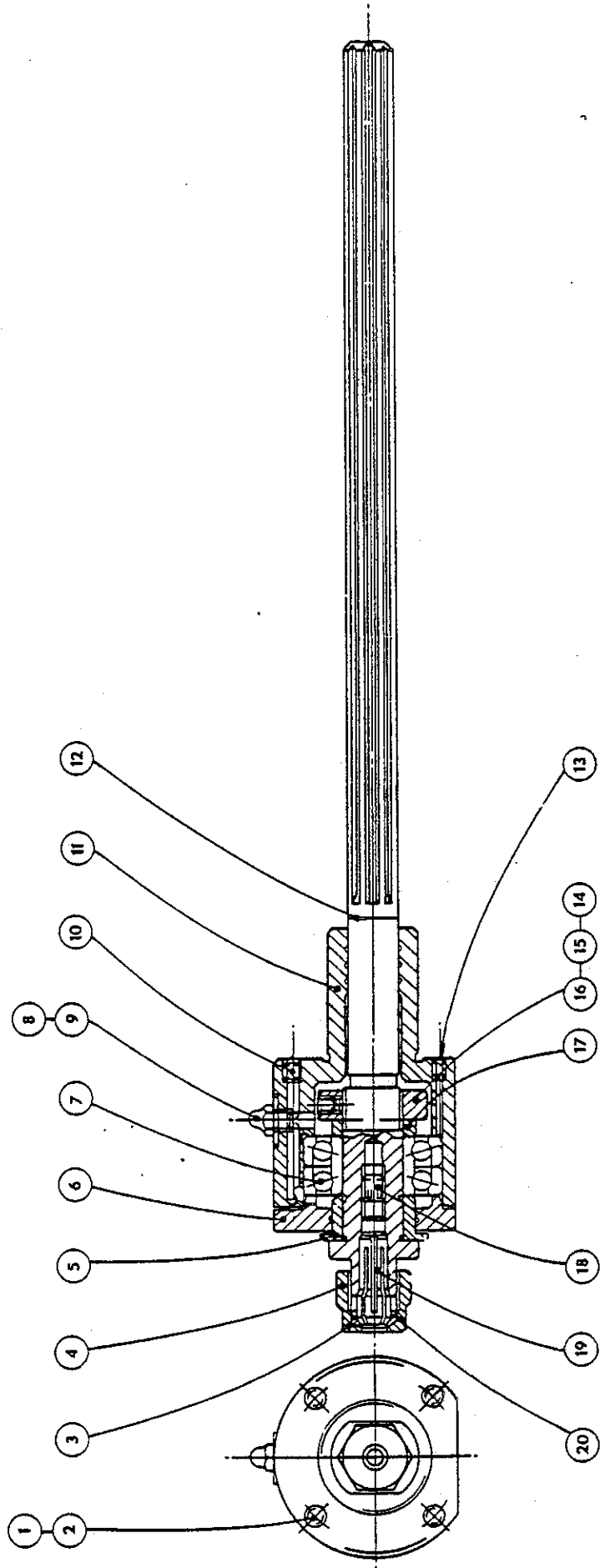
HIGH SPEED DRILLING ATTACHMENT SPINDLE MK. II

$\frac{1}{2}$ "—6, $\frac{1}{2}$ "—6S, $\frac{3}{8}$ "—6D MACHINES

INDEX NO.	PART NO.	TITLE
1	154/4	Spring Washer, 4 B.A.
2	156/408	Socket Head Cap Screw, 4 B.A. x $\frac{1}{4}$ " long
3	30127	Collet Ring, Model 309
4	30158	Nose Piece, Model 309
5	490X.119A	Thrower Ring
6	490X.118A	Binding Cap
7	LDJT17	Ball Journal, Double Row, Light, 17 mm. x 40 mm. x $\frac{1}{16}$ "
8	210/1725	Indicator Washer, Yellow, $\frac{1}{4}$ " dia.
9	212/045	Nipple, $\frac{1}{4}$ " B.S.F.
10	179/203	Socket Set Screw, Cup Point, 2 B.A. x $\frac{1}{16}$ " long
11	490V.117A	Housing
12	490Y.104B	High Speed Drilling Spindle
13	179/403	Socket Set Screw, Cup Point, 4 B.A. x $\frac{1}{16}$ " long
14	153/42	Soft Pad, 2 B.A.
15	179/203	Socket Set Screw, Cup Point, 2 B.A. x $\frac{1}{16}$ " long
16	490X.120	Nut
17	490X.121	Spacer
18	176/0405	Socket Set Screw, Cup Point, $\frac{1}{4}$ " B.S.F. x $\frac{1}{8}$ " long
19	—	Collet, 300 Series, Size to suit drill
20	30224/1	Spring Ring Clip, Model 309 (This item, with 3 and 4 above, supplied as an assembly)

List of Parts for
PLATE No. 56
(Drawing No. 490V4A)

WHEN ORDERING SPARE PARTS ALWAYS QUOTE THE SERIAL NUMBER OF THE MACHINE

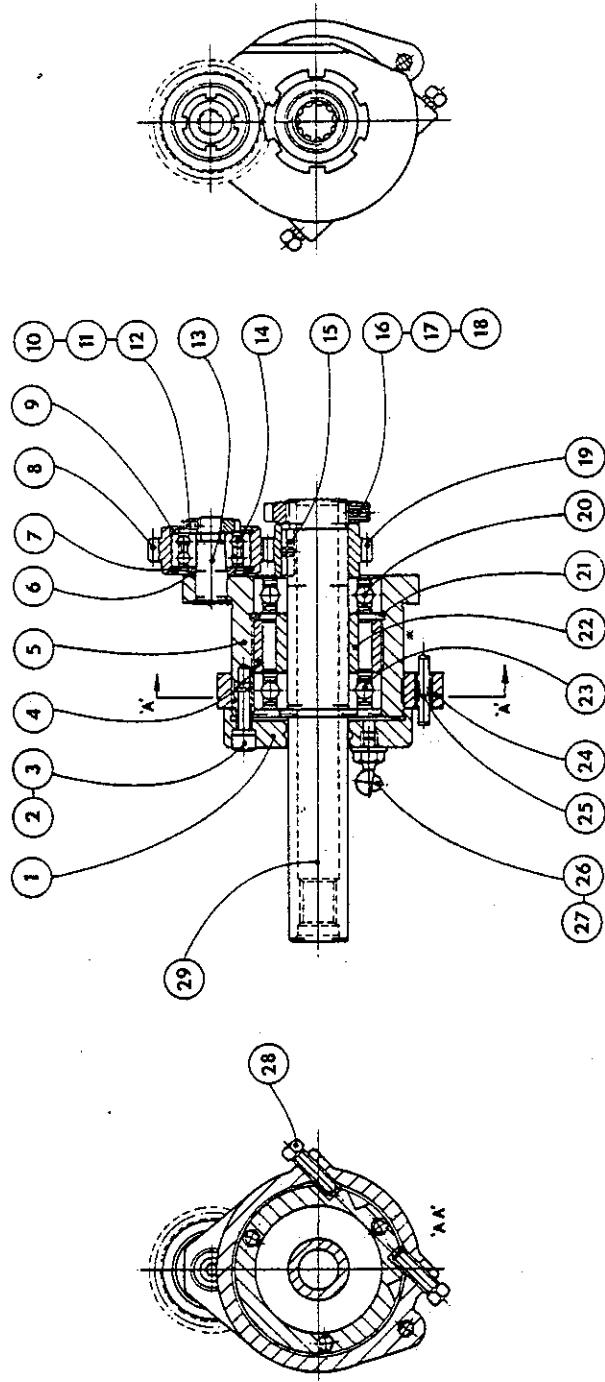


**WICKMAN
MULTI-SPINDLE
AUTOMATICS**
HIGH SPEED DRILLING ATTACHMENT DRIVE MK. I
 $\frac{1}{2}$ "—6, $\frac{1}{2}$ "—6S, $\frac{1}{2}$ "—6D MACHINES

INDEX NO.	PART NO.	TITLE
1	490X.125	Clamp Plate
2	154/04	Spring Washer, $\frac{1}{4}$ " dia.
3	155/0412	Socket Head Cap Screw, $\frac{1}{4}$ " B.S.F. X $\frac{1}{2}$ " long
4	490X.110	Outer Spacer
5	490V.101	Drive Bracket
6	490X.116	Spacer
7	356X.125	Retaining Ring, Internal, $1\frac{1}{4}$ " dia.
8	490X.114	Idler Gear
9	356X.125	Retaining Ring, Internal, $1\frac{1}{4}$ " dia.
10	153/44	Soft Pad for 4 B.A. Screw
11	179/403	Socket Set Screw, Cup Point, 4 B.A. X $\frac{1}{8}$ " long
12	151/10	Slotted Locknut, 10 mm
13	490X.115	Idler Gear Pin
14	265/12	Ball Journal, Double Row, Light, $12 \times 32 \times 14$ mm
15	122/0812T	Key, Tapped, $\frac{1}{8}$ " X $\frac{3}{8}$ " X $\frac{1}{2}$ " long
16	151/25	Slotted Locknut, 25 mm
17	179/204	Socket Set Screw, Cup Point, 2 B.A. X $\frac{1}{4}$ " long
18	153/42	Soft Pad for 2 B.A. Screw.
19	490X.113	Driven Gear
20	258/25	Ball Journal, Light, $25 \times 52 \times 15$ mm
21	356/206	Retaining Ring, Internal, 52 mm dia.
22	490X.109	Spacer
23	258/25	Ball Journal, Light, $25 \times 52 \times 15$ mm
24	490X.126	Adjusting Plate } Assembly 490X.126
25	490X.129	Dowel
26	212/9004	Autolub Grease Nipple, 90°, $\frac{1}{4}$ " B.S.F.
27	210/1725	Indicator Washer, Yellow, $\frac{1}{4}$ " dia.
28	188/0414	Square Head Set Screw, Half Dog, $\frac{1}{4}$ " B.S.F. X $\frac{1}{4}$ " long
29	490X.108	Drive Sleeve

List of Parts for
PLATE No. 57
 (Drawing No. 490Y3)

WHEN ORDERING SPARE PARTS ALWAYS QUOTE THE SERIAL NUMBER OF THE MACHINE



**WICKMAN
MULTI-SPINDLE
AUTOMATICS**

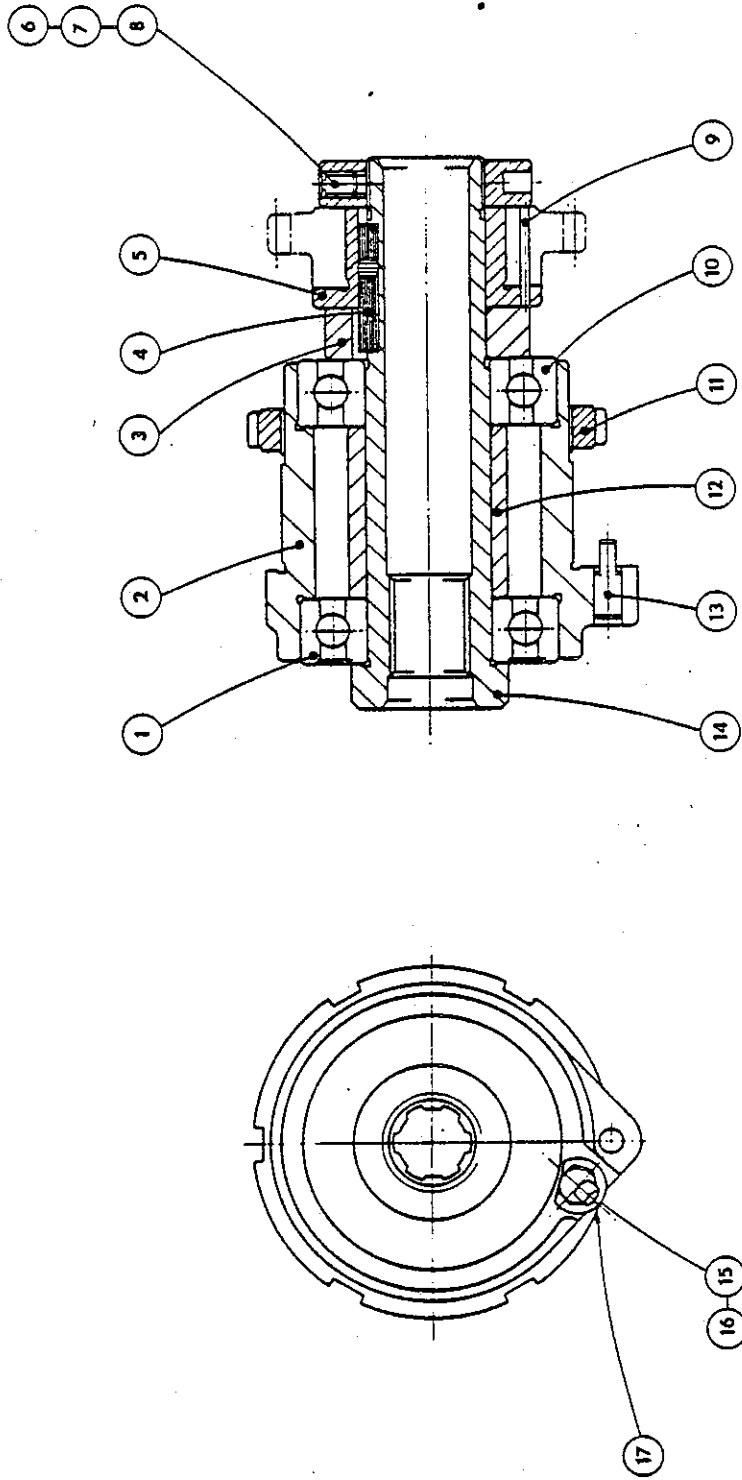
SYNCHRONOUS DRIVE MK. I

$\frac{1}{2}$ "—6, $\frac{1}{4}$ "—6S, $\frac{1}{8}$ "—6D MACHINES

INDEX NO.	PART NO.	TITLE
1	258/30ZS	Ball Journal, Light, 30 X 62 X 16 mm
2	482X.104A	Drive Housing
3	490X.136A	Gear Spacer
4	122/0820T	Key, Tapped, $\frac{1}{4}$ " X $\frac{1}{16}$ " X $1\frac{1}{2}$ " long
5	490X.138	Driving Sleeve
6	153/04	Soft Pad for $\frac{1}{8}$ " B.S.F. Screw
7	176/0405	Socket Set Screw, Cup Point, $\frac{1}{4}$ " B.S.F. X $\frac{1}{16}$ " long
8	490X.139	Locknut
9	490X.140	Shear Pin
10	258/30Z	Ball Journal, Light, 30 X 62 X 16 mm
11	482X.105	Locknut
12	482X.106	Bearing Spacer
13	489X.127	Dowel
14	490X.134	Drive Sleeve
15	212/4504	Oil Nipple, 45°, $\frac{1}{4}$ " B.S.F.
16	210/1725	Indicator Washer, Yellow
17	179/403	Socket Set Screw, Cup Point, 4 B.A. X $\frac{1}{16}$ " long.

List of Parts for
PLATE No. 58
(Drawing No. 490V5)

WHEN ORDERING SPARE PARTS ALWAYS QUOTE THE SERIAL NUMBER OF THE MACHINE

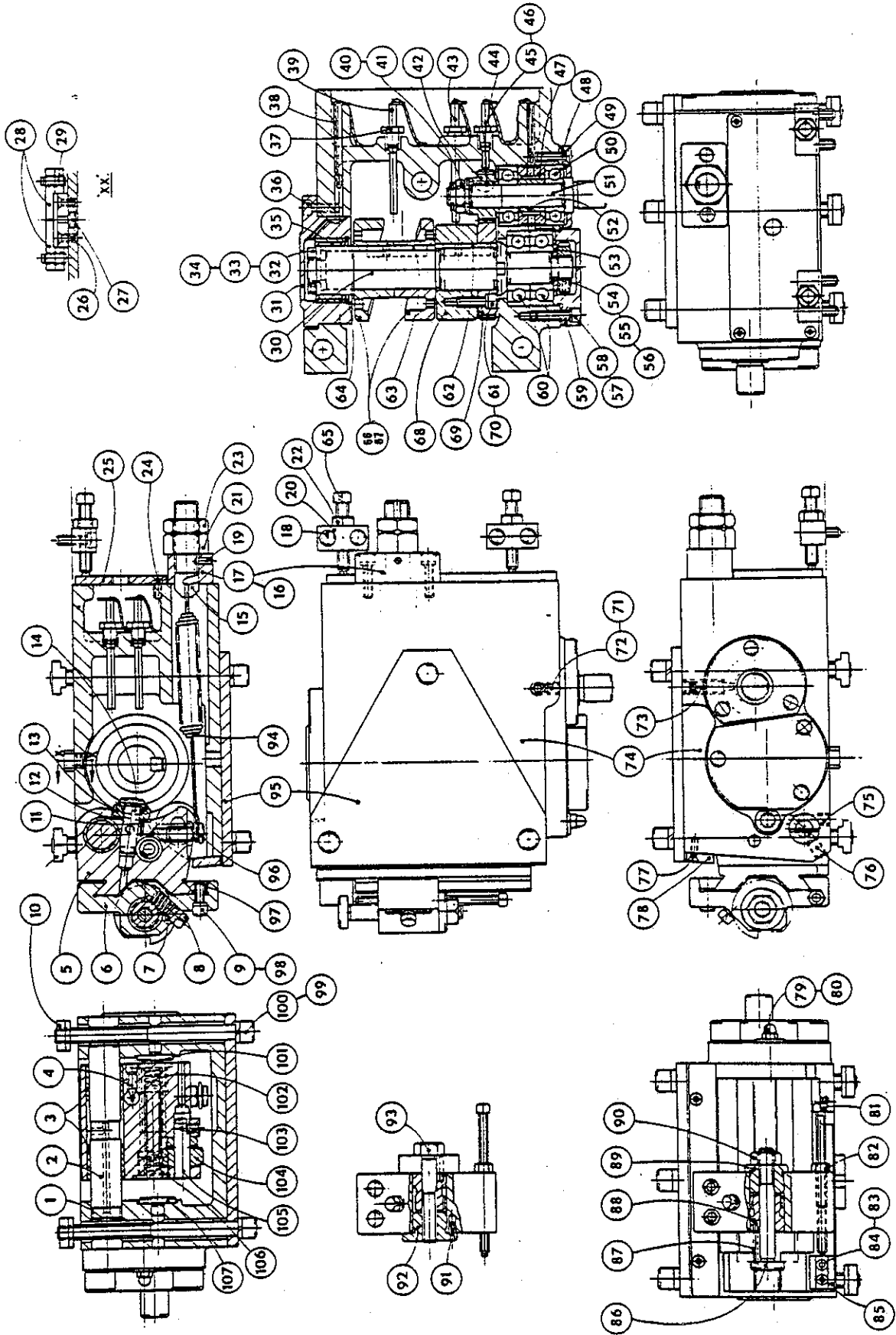


**WICKMAN
MULTI-SPINDLE
AUTOMATICS**
**CHASING ATTACHMENT, MK.II
3/8" -6, 3/4" -6S, 3/4" -6D MACHINES**

INDEX NO.	PART NO.	TITLE	INDEX NO.	PART NO.	TITLE	INDEX NO.	PART NO.	TITLE
1	492X.147	Plug	36	156/208	Socket Head Cap Screw, 2 B.A. x 1/2" long	73	182/0516	Socket Set Screw, Taper Point, 5/16" B.S.F. x 1" long
2	492X.109	Slide Shaft	37	215/2	Tubing Nut, 5/32" Tube	74	492Z.101A	Socket Set Screw, Taper Point, 1/4" B.S.F. x 1/2" long
3	492X.108	Slide Bush	38	192X.145	Oil Feed Wick			
4	182/208	Socket Set Screw, Taper Point, 2 B.A. x 1/2" long	39	492X.160A	Oil Pipe	75	176/0403	Socket Set Screw, Cup Point, 1/4" B.S.F. x 3/16" long
5	492X.107A	Slide	40	203/06L	Self-locking Nut, Thin, 3/4" B.S.F.			
6	492X.133A	Chaser Bracket	41	130/06	Flat Washer, 3/8" dia.	76	182/0408	Socket Set Screw, Taper Point, 1/4" B.S.F. x 1/2" long
7	124/0310	Parallel Pin, 3/32" dia. x 3/4" long	42	492X.131	Driving Gear			
8	492X.136	Adjusting Worm	43	492X.155	Oil Pipe	77	159/408	Socket Countersunk Head Screw, 4 B.A. x 1/2" long
9	156/208	Socket Head Cap Screw, 2 B.A. x 1/2" long	44	123/30	Woodruff Key, 1/2" dia. x 1/8" wide			
10	DS.1411	Tee Nut	45	492X.142A	Oil Pipe	78	492X.106	Cover Plate
11	124/0205	Parallel Pin, 1/16" dia. x 5/16" long	46	492X.145A	Oil Feed Wick	79	210/1725	Indicator Washer, Yellow, 1/2" dia.
12	492X.143	Thrust Washer	47	492X.129A	Outer Spacer	80	212/04S	Oil Nipple, Straight, 1/4" B.S.F.
13	492X.112	Lead Roller	48	492X.104	End Cap	81	492X.162	Set Screw
14	492X.113	Lead Roller Pin	49	159/212	Socket Countersunk Head Screw, 2 B.A. x 1/2" long	82	174/2	Hexagon Nut, 2 B.A.
15	492X.116A	Spring Adjuster	50	SB.89	Angular Contact Bearing, Light, 12 x 32 x 10mm	83	15A/4	Spring Washer, 1/4" dia.
16	156/212	Socket Head Cap Screw, 2 B.A. x 1/2" long	51	492X.127A	Drive Shaft	84	156/412	Socket Head Cap Screw, 4 B.A. x 1/2" long
17	492X.117A	Adjuster Support	52	492X.128A	Inner Spacer	85	492X.124A	Stop
18	156/210	Socket Head Cap Screw, 2 B.A. x 1/2" long	53	130/08	Flat Washer, 1/2" dia.	86	492X.134	Clamp Bolt
19	124/0406	Parallel Pin, 1/8" dia. x 3/4" long	54	150/08	Slotted Locknut, 1/2" dia., 22 T.P.I.	87	—	Chaser and Pin, Supplied by Tooling Dept.
20	492X.154	Adjusting Block	55	179/403	Socket Set Screw, Cup Point, 4 B.A. x 3/16" long	88	492X.135	Adjusting Gear
21	173/08	Hexagon Nut, 1/4" B.S.F.	56	153/44	Soft Pad for 4 B.A. Screw	89	492X.138	Clamp Bush
22	173/04	Hexagon Nut, 1/4" B.S.F.	57	154/03	Spring Washer, 3/16" dia.	90	173/08H	Hexagon Nut, Hardened, 5/16" B.S.F.
23	173/08L	Hexagon Locknut, 1/2" B.S.F.	58	156/212	Socket Head Cap Screw, 2 B.A. x 1/2" long	91	124/0306	Parallel Pin, 1/16" dia. x 5/16" long
24	159/408	Socket Countersunk Head Screw, 4 B.A. x 1/2" long	59	492X.103A	End Cap	92	492X.140	Clamp Nut
25	492X.105A	Oil Cover	60	SB.58	Angular Contact Bearing, Light, 17 x 40 x 12mm	93	492X.141	Clamp Bolt
26	159/406	Socket Countersunk Head Screw, 4 B.A. x 1/2" long	61	156/210	Socket Head Cap Screw, 2 B.A. x 1/2" long	94	492X.152	Tension Spring
27	492X.118A	Locator	62	121/0816T	Key, Tapped, 1/2" square x 1" long	95	492X.114	Clamp Plate
28	492X.132A	Pivot Block	63	121/0820T	Key, Tapped, 3/4" square x 1 1/4" long	96	492X.114	Spring Anchor
29	178/0408	Socket Set Screw, Half Dog, 1/4" B.S.F. x 1/2" long	64	356/137	Internal Circlip, 1 1/4" dia.	97	492X.137	Clamp
30	492X.126A	Camschaft	65	188/0424	Square Head Set Screw, 1/4" B.S.F. x 1 1/2" long	98	154/03	Spring Washer, 3/16" dia.
31	492X.102A	End Cap	66	492X.151	Lead Cam, Right Hand 1 State Lead	99	154/05	Spring Washer, 5/16" dia.
32	492X.153	Locking Nut	67	492X.148	Lead Cam, Left Hand 1 required	100	155/0560	Socket Head Cap Screw, 5/16" dia. x 3" long
33	153/44	Soft Pad for 4 B.A. Screw	68	492V.150B	Relief Cam	101	492X.120	Spring Plunger
34	179/403	Socket Set Screw, Cup Point, 4 B.A. x 3/16" long	69	492X.130	Driven Gear	102	492X.122	Lead Spring
35	NK.26/16	Needle Roller Bearing (without Inner Race) 26mm bore x 34mm o.dia. x 16mm wide	70	154/03	Spring Washer, 3/16" dia.	103	182/206	Socket Set Screw, Taper Point, 2 B.A. x 3/8" long
			71	153/04	Soft Pad for 1/4" B.S.F. Screw	104	492X.111	Relief Roller
			72	176/0404	Socket Set Screw, Cup Point, 1/4" B.S.F. x 1/2" long	105	492X.110A	Relief Roller Pin
						106	492X.121	Spring Cap
						107	492X.123	Thrust Pad

List of Parts for
PLATE NO. 59
(Drawing No. 492V4A)

WHEN ORDERING SPARE PARTS ALWAYS QUOTE THE SERIAL NUMBER OF THE MACHINE

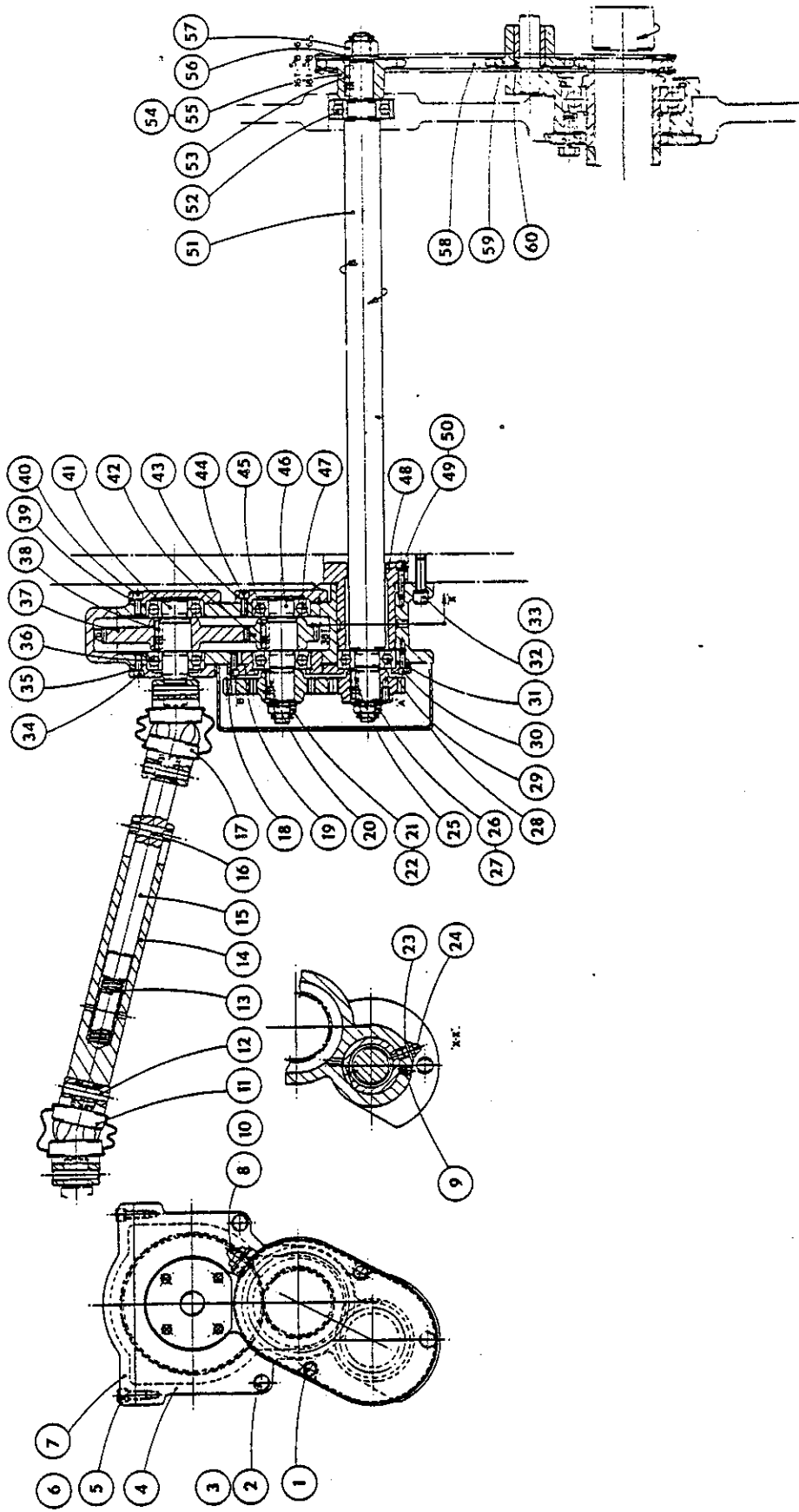


**WICKMAN
MULTI-SPINDLE
AUTOMATICS**
CHASING ATTACHMENT DRIVE MK. I, STATIONS 4 & 5
 $\frac{1}{8}$ "-6, $\frac{1}{8}$ "-6S, $\frac{1}{8}$ "-6D MACHINES

INDEX NO.	PART NO.	TITLE	INDEX NO.	PART NO.	TITLE
1	156/232	Socket Head Cap Screw, 2 B.A. X 2" long	31	492X.220	End Cover
2	155/0436	Socket Head Cap Screw, $\frac{1}{8}$ " B.S.F. X $2\frac{1}{2}$ " long	32	155/0414	Socket Head Cap Screw, $\frac{1}{8}$ " B.S.F. X $\frac{1}{8}$ " long
3	154/04	Spring Washer, $\frac{1}{8}$ " dia.	33	154/04	Spring Washer, $\frac{1}{8}$ " dia.
4	492Y.201	Drive Box	34	156/406	Socket Head Cap Screw, 4 B.A. X $\frac{3}{8}$ " long
5	156/208	Socket Head Cap Screw, 2 B.A. X $\frac{1}{2}$ " long	35	492X.215	End Cover
6	154/03	Spring Washer, $\frac{1}{8}$ " dia.	36	263/15	Angular Contact Bearing, Light, 15 mm
7	492X.218	Top Cover	37	492X.204	Driven Gear
8	212/18	Oil Nipple, $\frac{1}{8}$ " B.S.F.	38	121/0611T	Key, Tapped, $\frac{3}{16}$ " square X $\frac{11}{16}$ " long
9	179/204	Socket Set Screw, Cup Point, 2 B.A. X $\frac{1}{2}$ " long	39	492X.210	End Cover
10	210/2525	Indicator Washer, Yellow, $\frac{1}{8}$ " dia.	40	156/406	Socket Head Cap Screw, 4 B.A. X $\frac{3}{8}$ " long
11	—	Mollart Universal Ball Joint No. 2 with Cover	41	492X.211	Final Shaft
12	125/1618	Taper Pin, $\frac{1}{8}$ " dia. X $1\frac{1}{4}$ " long	42	492X.203	Driving Gear
13	492X.216	Compression Spring	43	492X.210	End Cover
14	492X.209	Drive Sleeve	44	156/406	Socket Head Cap Screw, 4 B.A. X $\frac{3}{8}$ " long
15	492X.214	Drive Shaft	45	121/0611T	Key, Tapped, $\frac{3}{16}$ " square X $\frac{11}{16}$ " long
16	492X.219	Drive Pin	46	492X.212	Intermediate Shaft
17	—	Mollart Universal Ball Joint No. 2 with Cover	47	263/15	Angular Contact Bearing, Light, 15 mm
18	156/406	Socket Head Cap Screw, 4 B.A. X $\frac{3}{8}$ " long	48	492X.208	Location Bush
19	492X.213	Bearing Housing	49	156/410	Socket Head Cap Screw, 4 B.A. X $\frac{3}{8}$ " long
20	121/0611T	Key, Tapped, $\frac{3}{16}$ " square X $\frac{11}{16}$ " long	50	154/4	Spring Washer, $\frac{1}{8}$ " dia.
21	203/06L	Self-locking Nut, Thin, $\frac{3}{8}$ " B.S.F.	51	492X.205	Drive Shaft
22	130/06	Washer, $\frac{3}{8}$ " dia.	52	258/17	Ball Journal, Light, 17 mm
23	210/1725	Indicator Washer, Yellow, $\frac{1}{8}$ " dia.	53	121/0612T	Key, Tapped, $\frac{3}{16}$ " square X $\frac{11}{16}$ " long
24	212/04S	Oil Nipple, $\frac{1}{8}$ " B.S.F.	54	492X.222	Sprocket (on $\frac{1}{8}$ "-6S Machine)
25	121/0611T	Key, Tapped, $\frac{3}{16}$ " square X $\frac{11}{16}$ " long	55	492X.217	Sprocket (on $\frac{1}{8}$ "-6 & $\frac{1}{8}$ "-6D Machines)
26	203/06L	Self-locking Nut, Thin, $\frac{3}{8}$ " B.S.F.	56	130/07	Washer, $\frac{1}{8}$ " dia.
27	130/06	Washer, $\frac{3}{8}$ " dia.	57	203/07	Self-locking Nut, $\frac{1}{8}$ " B.S.F.
28	492X.202	Drive Box Cover	58	B.S. No. 3	Roller Chain, $\frac{3}{8}$ " Pitch, 0.250" dia. Roller
29	258/15	Ball Journal, Light, 15 mm	59	492X.221	Jockey Sprocket
30	156/406	Socket Head Cap Screw, 4 B.A. X $\frac{3}{8}$ " long	60	236/081216	Oil Retaining Bush, $\frac{1}{2}$ " X $\frac{3}{8}$ " X 1" long

List of Parts for
PLATE No. 60
(Drawing No. 492Z1)

WHEN ORDERING SPARE PARTS ALWAYS QUOTE THE SERIAL NUMBER OF THE MACHINE



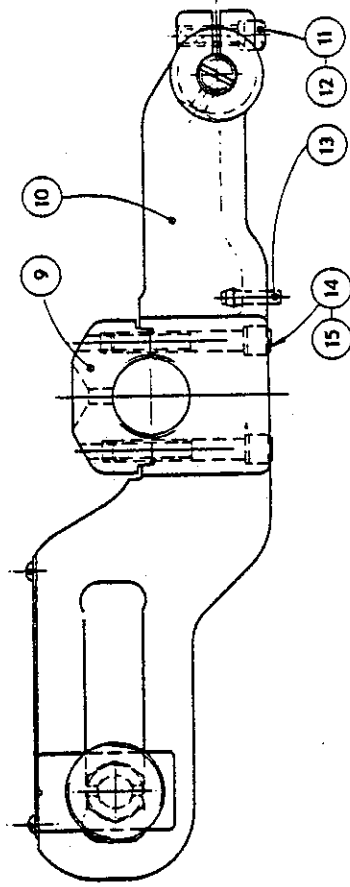
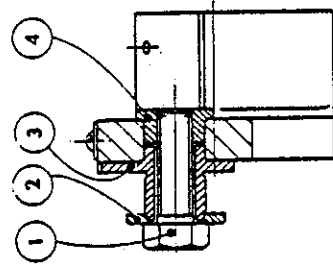
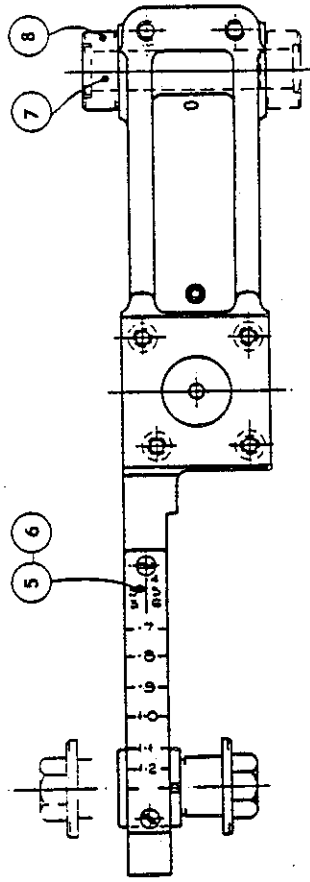
**WICKMAN
MULTI-SPINDLE
AUTOMATICS**

**AUXILIARY CROSS SLIDE MOTION CAM LEVER MK. I, ALL STATIONS
1/2" - 6, 1/2" - 6S, 1/2" - 6D MACHINES**

INDEX NO.	PART NO.	TITLE
1	493X.106	Clamp Screw
2	441X.116	Slotted Washer
3	493X.117	Sliding Sleeve
4	493X.108	Tee Nut
5	493X.107	Scale
6	165/404	Slotted Round Head Screw, 4 B.A. X 1/2" long
7	493X.104	Roller Pin
8	450X.128A	Cam Roller
9	493X.103	Cap
10	493V.101	Cam Lever
11	154/04	Spring Washer, 1/2" dia.
12	155/0414	Hexagon Socket Head Cap Screw, 1/2" B.S.F. X 1 1/2" long
13	493X.109	Oil Pipe
14	154/04	Spring Washer, 1/2" dia.
15	155/0428	Hexagon Socket Head Cap Screw, 1/2" B.S.F. X 1 3/4" long

List of Parts for
PLATE No. 61
(Drawing No. 493V1)

WHEN ORDERING SPARE PARTS ALWAYS QUOTE THE SERIAL NUMBER OF THE MACHINE

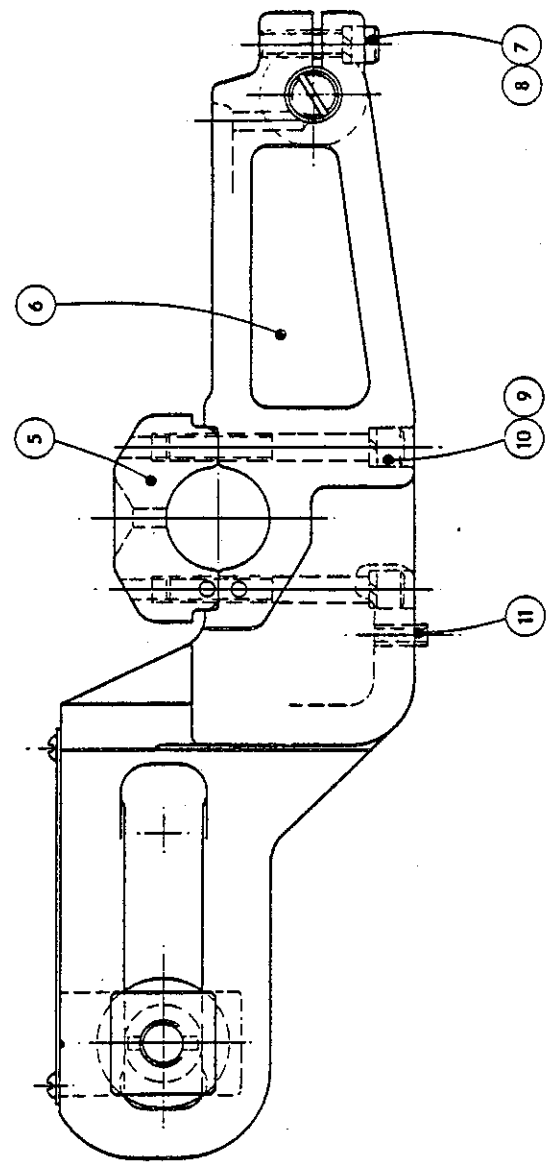
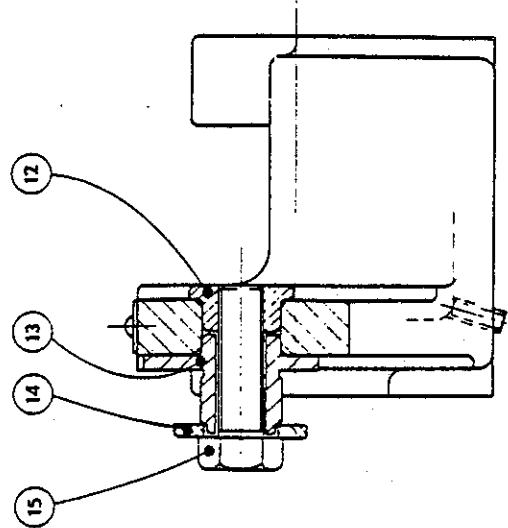
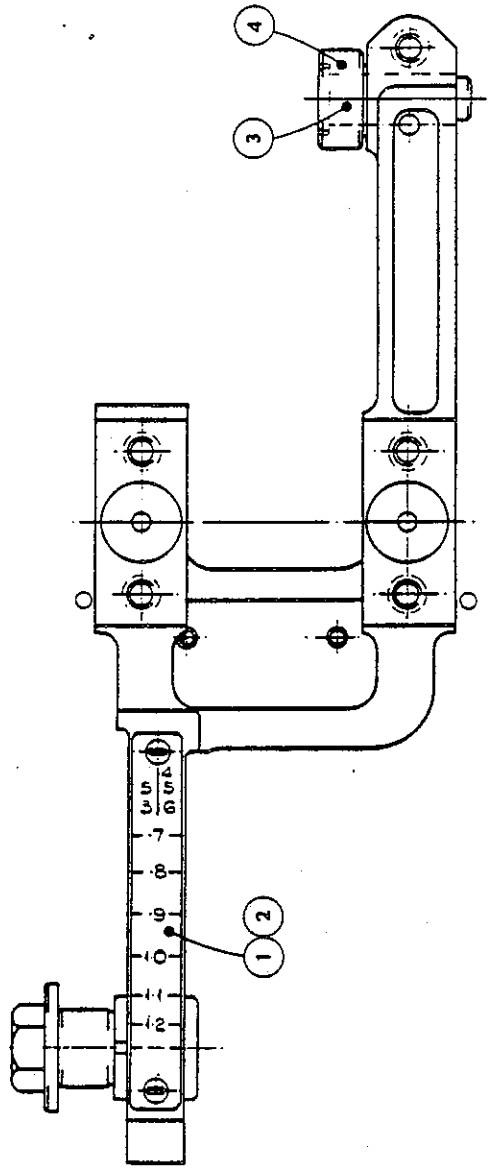


AUXILIARY CROSS SLIDE MOTION CAM LEVER MK. I, STATION 5
 $\frac{1}{2}$ "—6, $\frac{1}{4}$ "—6S, $\frac{1}{4}$ "—6D MACHINES

INDEX NO.	PART NO.	TITLE
1	493X.107	Scale
2	165/404	Slotted Round Head Screw, 4 B.A. X $\frac{1}{4}$ " long
3	493X.114	Roller Pin
4	450X.128A	Cam Roller
5	493X.113A	Cap
6	493V.110A	Cam Lever
7	154/04	Spring Washer, $\frac{1}{4}$ " dia.
8	155/0414	Hexagon Socket Head Cap Screw, $\frac{1}{4}$ " B.S.F. X $\frac{1}{4}$ " long
9	154/04	Spring Washer, $\frac{1}{4}$ " dia.
10	155/0432	Hexagon Socket Head Cap Screw, $\frac{1}{4}$ " B.S.F. X 2" long
11	326/0608	Tension Pin, $\frac{1}{8}$ " dia. X $\frac{1}{4}$ " long
12	493X.108	Tee Nut
13	493X.117	Sliding Sleeve
14	441X.116	Slotted Washer
15	493X.106	Clamp Screw

List of Parts for
 PLATE No. 62
 (Drawing No. 493V2)

WHEN ORDERING SPARE PARTS ALWAYS QUOTE THE SERIAL NUMBER OF THE MACHINE



WICKMAN
MULTI-SPINDLE
AUTOMATICS

EXTRA PARTS FOR AUXILIARY CROSS SLIDE MOTION MK. I, STATIONS 1 & 2
 $\frac{1}{8}$ "—6, $\frac{1}{8}$ "—6S, $\frac{1}{8}$ "—6D MACHINES

INDEX NO.	PART NO.	TITLE
1	154/04	Spring Washer, $\frac{1}{8}$ " dia.
2	155/0416	Hexagon Socket Head Cap Screw, $\frac{1}{8}$ " B.S.F. X $\frac{1}{2}$ " long
3	493X.118	Lower Slide Link
4	236/121408	Oil Retaining Bush, $\frac{1}{8}$ " X $\frac{1}{8}$ " X $\frac{1}{2}$ " long

List of Parts for
PLATE No. 63
(Drawing No. 493X118)

WHEN ORDERING SPARE PARTS ALWAYS QUOTE THE SERIAL NUMBER OF THE MACHINE

WICKMAN
MULTI-SPINDLE
AUTOMATICS

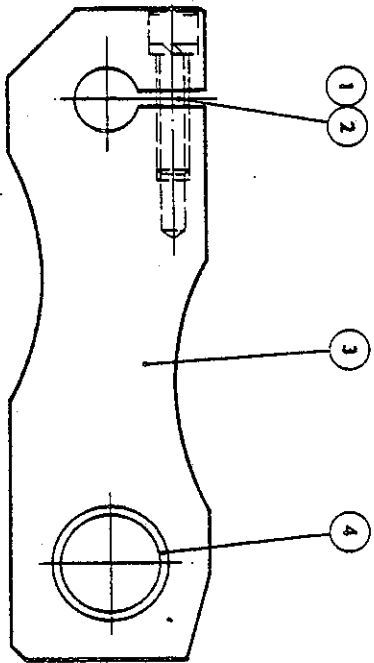
EXTRA PARTS FOR AUXILIARY CROSS SLIDE MOTION MK. I, STATIONS 3 & 6

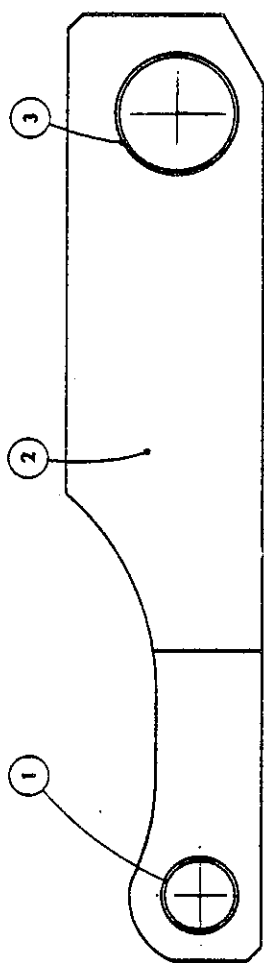
$\frac{1}{2}$ "-6, $\frac{3}{4}$ "-6S, $\frac{1}{2}$ "-6D MACHINES

INDEX NO.	PART NO.	TITLE
1	236/060806	Oil Retaining Bush, $\frac{1}{2}$ " bore X $\frac{1}{2}$ " o. dia. X $\frac{3}{4}$ " long
2	493X.119	Intermediate Slide Link
3	236/121408	Oil Retaining Bush, $\frac{3}{4}$ " bore X $\frac{1}{2}$ " o. dia. X $\frac{1}{2}$ " long

List of Parts for
PLATE No. 64
(Drawing No. 493X119)

WHEN ORDERING SPARE PARTS ALWAYS QUOTE THE SERIAL NUMBER OF THE MACHINE





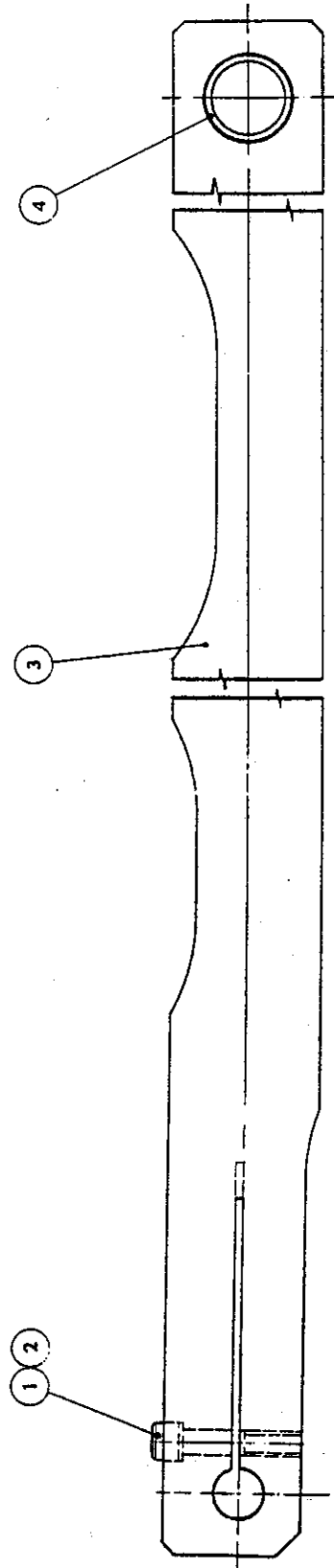
**WICKMAN
MULTI-SPINDLE
AUTOMATICS**

**EXTRA PARTS FOR AUXILIARY CROSS SLIDE MOTION MK. I, STATIONS 4 & 5
 $\frac{1}{2}$ "-6, $\frac{1}{2}$ "-6S, $\frac{1}{2}$ "-6D MACHINES**

INDEX NO.	PART NO.	TITLE
1	155/0420	Hexagon Socket Head Cap Screw, $\frac{1}{2}$ " B.S.F. X $1\frac{1}{4}$ " long
2	154/04	Spring Washer, $\frac{1}{2}$ " dia.
3	493V.120	Upper Cross Slide Link
4	236/121408	Oil Retaining Bush, $\frac{1}{2}$ " X $\frac{1}{2}$ " X $\frac{1}{2}$ " long

List of Parts for
PLATE No. 65
(Drawing No. 493V120)

WHEN ORDERING SPARE PARTS ALWAYS QUOTE THE SERIAL NUMBER OF THE MACHINE



**WICKMAN
MULTI-SPINDLE
AUTOMATICS**

**PICK-UP ATTACHMENT, STATION 6
3/8" - 6, 3/8" - 6S, 3/8" - 6D MACHINES**

INDEX PART NO.	TITLE	INDEX PART NO.	TITLE	INDEX PART NO.	TITLE
1	NK1 35/20 OHOR INA Bearing	46	154/4 Spring Washer, for 4 B.A.	79	160/14H Slotted Locknut, Hardened, 7/8" x 22 T.P.I.
2	495X.143A Colllet Spring	47	495X.130 Toggle Pin	80	173/04HL Hexagon Locknut, Hardened, 1/2" B.S.F.
3	495X.142 Bearing Spacer	48	155/0416 Hexagon Socket Head Cap Screw, 1/2" B.S.F. x 1" long	81	224/80533 Bijur Elbow Meter Valve P6XO
4	495X.115A Ejector Plunger	49	154/004 Spring Washer, 1/2" dia.	82	173/04H Hexagon Nut, Hardened, 1/2" B.S.F.
5	125/0608 Taper Pin, 3/32" dia. x 3/8" long	50	160/204 B.A. Round Head Screw x 1/2"	83	224/103809 Bijur 5/32" - 3/16" Shank
6	495X.120A Bearing Spacer	51	178/0403 Socket Set Screw, Cup Point, 1/4" B.S.F. x 3/16" 1" long	84	495X.525 Coolant Pipe Assembly
7	495X.119A Operating Sleeve	52	143/0406D Mills Pin, 1/8" dia. x 3/8" long	85	224/136132 Bijur Flexible Nylon Tube, 3/16" dia. x 2ft. long
8	SB21 Special Bearing	53	495X.114 Slide	86	495X.124A Stop Bracket
9	495X.121A Ring Housing	54	156/406 Hexagon Socket Head Cap Screw, 4 B.A. x 3/4" long	87	495X.176 Stop Plunger
10	354/0810 "O" Ring, 3/32" dia. x 1/4" i. dia.	55	486X.107 Guide Strip	88	495X.125 Stop Housing
11	495X.112 Bearing Cap	56	488X.111 Tee Nut	89	495X.108A Colllet Nut
12	495X.113A Piston Ring	57	155/0410 Hexagon Socket Head Cap Screw, 1/2" B.S.F. x 7/8" long	90	154/003 Spring Washer, 3/16" dia.
13	495X.131 Toggia Sleeve	58	495X.137A Gib Strip	91	156/216 Hexagon Socket Head Cap Screw, 2 B.A. x 1" long
14	495X.132 Toggia	59	158/404 Cap Screw, 4 B.A. x 1/2" long	92	169/0414 Hexagon Head Bolt, 7/8" long
15	495X.105A Clutch Bobbin	60	159/404 Socket Countersunk Screw 4 B.A. x 1/2"	93	130/04 Plain Washer, 1/2" dia.
16	354/085 Slotted Locknut, 25mm x 22 T.P.I.	61	181/208 Socket Set Screw, Half Dog Point, 2 B.A. x 1/2" long	94	169/0412 Hexagon Head Bolt, 3/4" long
17	151/26 Socket Set Screw, Cup Point, 2 B.A. x 1/4" long	62	174/2L Hexagon Locknut, 2 B.A.	95	495X.134 Cam Roller
18	179/204 Soft Pad, for 2 B.A.	63	154/04 Spring Washer, 1/2" dia.	96	495X.135 Roller Pin
19	163/42 Compensating Washer	64	155/0410 Hexagon Head Cap Screw, 1/2" B.S.F. x 5/8" long	97	326/0406 Tension Pin, 1/8" dia. x 3/8" long
20	495X.133A Locknut	65	486X.119 Trip Clamp	98	495X.128 Cam Spacer
21	495X.148 Coupling Nut	66	160/0408 Dome Head Screw, 1/2" x 1/2"	99	236/F.14, 18, 16. Oil Retaining Bush, Flanged, 7/8" x 1 1/8" x 1" Spacer
22	495X.136 Soft Pad, for 2 B.A.	67	486X.123 Trip Rod	100	495X.127 Tension Pin, 1/8" dia. x 3/8" long
23	179/203 Socket Set Screw, Cup Point, 2 B.A. x 3/16" long	68	495X.123 Guide Bar	101	326/0406 Hexagon Socket Head Cap Screw, 4 B.A. x 1/2" long
24	495V.107 Splined Drive Shaft	69	495X.147 Push Rod Clamp Spacer	102	166/408 Thrower Ring
25	495X.116 Ejector Rod, Front	70	203/2 Self-locking Nut, 2 B.A.	103	495V.101 Thrower Ring
26	495X.118 Ejector Rod	71	182/220 Socket Set Screw, Taper Point, 2 B.A. x 1 1/4" long	104	495X.129A Bearing Cap
27	495X.117 Ejector Rod, Rear	72	495V.106 Glut Lever	105	495X.111A Morris Spring
28	495X.119 Stop	73	495V.102 Colllet Can	106	MSC.130 Tension Pin, 3/32" dia. x 1/4" long
29	495X.138A Locking Screw	74	495V.103 Pusher Bracket	107	326/0304 Bush
30	481X.112 Trip Clamp	75	182/0412 Socket Set Screw, Taper Point, 1/4" B.S.F. x 3/4" long	108	495X.150A 6 B.A. Countersunk Screw x 1/2"
31	486X.119 Spring	76	203/04 Self-locking Nut, 1/2" B.S.F.	109	162/608 Work Spindle
32	495X.209 Locking Pad	77	179/204 Socket Set Screw, Cup Point, 2 B.A. x 1/4" long	110	495V.102 Colllet Sleeve
33	481X.113 Ejector Rod Spring	78	153/42 Soft Pad, for 2 B.A.	111	495X.104 Pin
34	495X.139 Hexagon Locknut, 5/16" B.S.F.			112	495X.109A Ejector (Supplied by Tooling)
35	495X.144 Stop Rod			113	DS.1683A Colllet (Supplied by Tooling)
36	173/05L Hexagon Locknut, 5/16" B.S.F.			114	CS.775A Bearing Spacer
37	495X.159 Hexagon Locknut, Hardened, 1/2" B.S.F.			115	495X.141A Wear Strip
38	173/04HL Glut Pad			116	162/804 1" C' Socket Head Screw, 8 B.A. x 1/4" long
39	495X.146A Glut Pin			117	193/105 1/2" B.S.F. Socket Set Screw, 5/16" long
40	495X.145 Spring Washer, 3/16" dia.			118	495X.207 Coolant Pipe Assembly
41	154/003 Hexagon Socket Head Cap Screw, 2 B.A. x 1/2" long			119	495X.208 1/2" B.S.F. Female Adaptor
42	156/208 Key, Tapped, 1/4" x 3/16" x 1 1/2" long			120	220/115 5/16" Tubing Nut
43	122/0820T Key, Tapped, 1/4" x 3/16" x 1" long			121	215/9 5/16" Tubing Sleeve
44	122/0816T Hexagon Socket Head Cap Screw, 4 B.A. x 1/4" long			122	221/7

List of Parts for
PLATE No.66
(Drawing No.49521D)

WHEN ORDERING SPARE PARTS ALWAYS QUOTE THE SERIAL NUMBER OF THE MACHINE

**WICKMAN
MULTI-SPINDLE
AUTOMATICS**

SECTION NOS. 495C & 495G (ALSO PARTS OF SECTION 495)

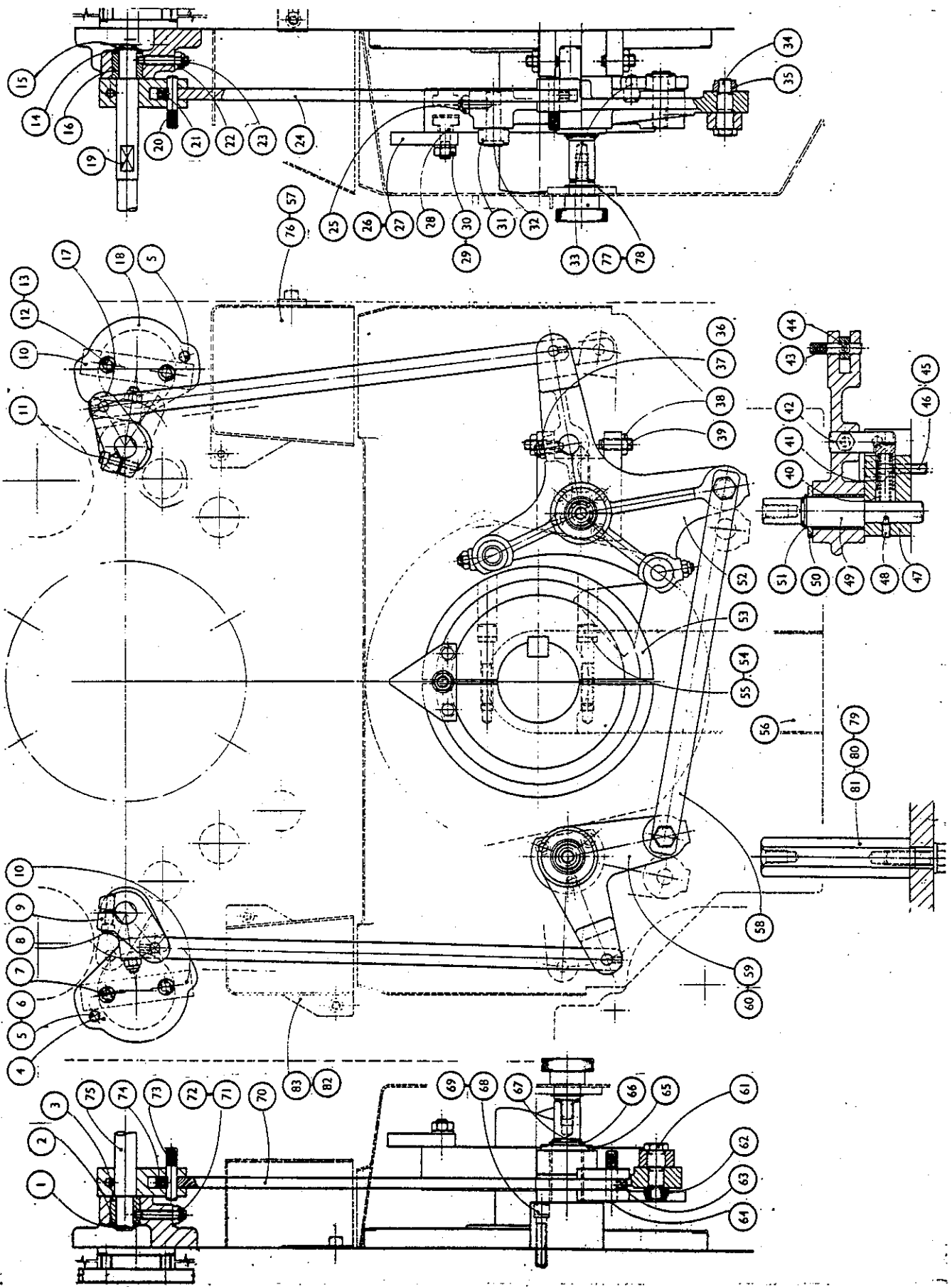
COLLET OPERATING MECHANISM FOR PICK-UP ATTACHMENT, STATIONS 3 & 6

$\frac{3}{8}$ " -6, $\frac{3}{8}$ " -6S, $\frac{3}{8}$ " -6D MACHINES

INDEX PART NO.	TITLE	INDEX PART NO.	TITLE	INDEX PART NO.	TITLE
1	101/2	28	195X.166	52	485Y.161B
2	495X.178	29	130/05	53	495V.162B
3	495X.179	30	173/05	54	164/06
4	495X.172B	31	402X.129	55	165/0632
5	495X.206	32	495X.153	56	496Z.129C
6	154/05	33	495X.164	57	165/0408
7	155/0540	34	495/177	58	495X.176
8	155/0414	35	203/06L	59	495V.175
9	495X.169A	36	182/0514	60	236/141624
10	495X.205	37	203/05	61	496X.177
11	155/0414	38	173/05L	62	203/06L
12	154/05	38	178/0516	63	179/205
13	155/0540	40		64	495X.168A
14	495X.178	40	455X.128	65	496X.130
15	101/2	41	495X.154	66	355/87
16	495X.179	42	495X.157	67	495X.174A
17	495X.169A	43	495X.158A	68	155/0624
18	495X.172B	44	179/205	69	154/05
19	495X.170A	45	154/05	70	496X.173
20	495X.168A	46	155/0824	71	182/0424
21	179X.205	47	495X.155	72	203/04
22	203/04	48	182/0408	73	495X.168A
23	182/0424	49	495X.156A	74	179X.205
24		50	496X.130	75	495X.170A
24	495X.173	51	355/87	76	496V.230
25	182/0416			77	496X.231
26	203/04			78	101/6
27	495X.165A			79	130/07
				80	167/0724
				81	496X.233
				82	155/0408
				83	496X.220A

List of Parts for
PLATE No.67
(Drawing No.495Z3C)

WHEN ORDERING SPARE PARTS ALWAYS QUOTE THE SERIAL NUMBER OF THE MACHINE



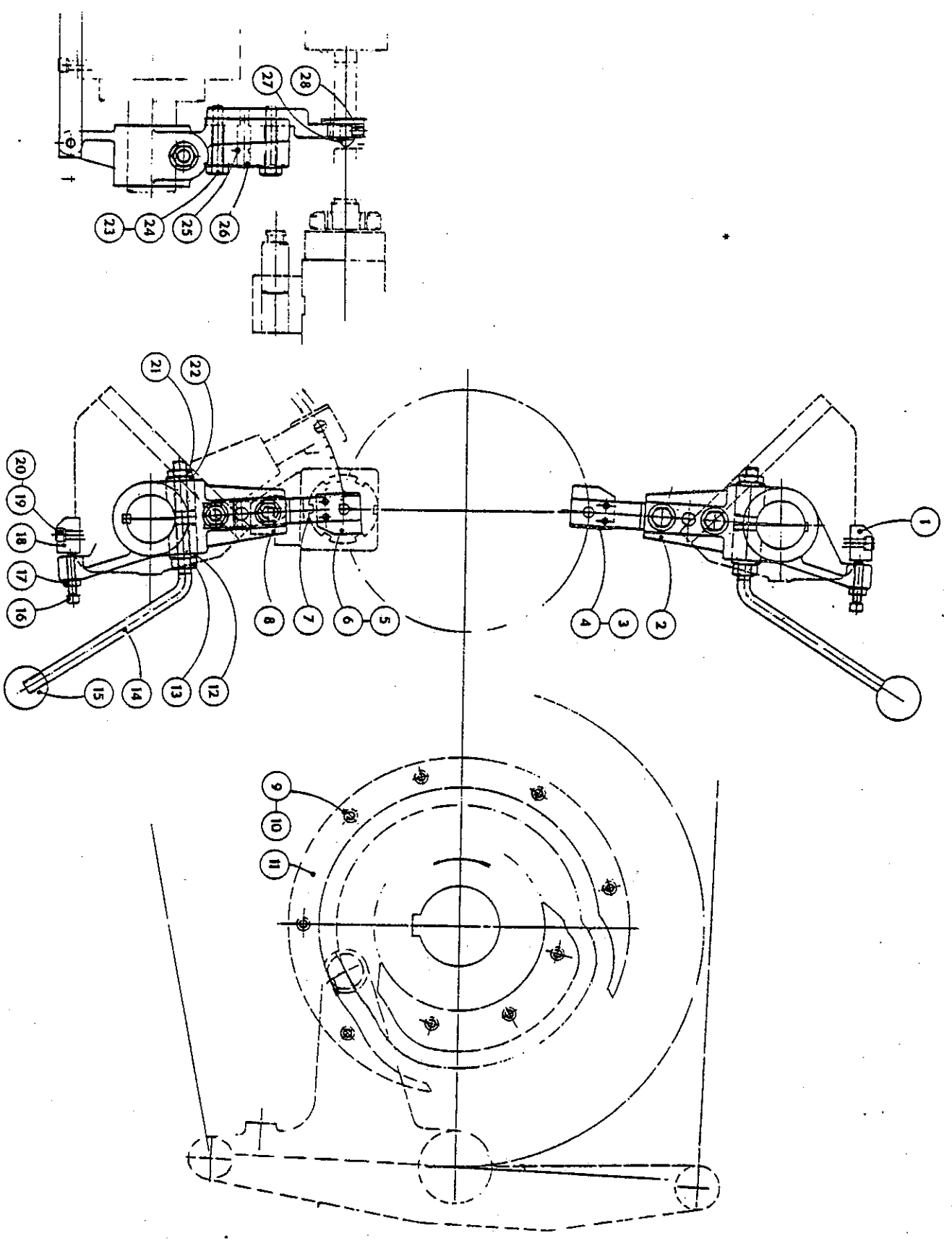
**BAR STOP FOR BACK BURRING, STATIONS 3 & 6
1/4" - 6, 1/4" - 6S, 1/4" - 6D MACHINES**

Note: Index Nos. 1 to 4 refer to Station 3; all other details for Station 3 are as for Station 6. Index Nos. 5 to 28 refer to Station 6.

INDEX NO.	PART NO.	TITLE
1	495X.198	Stop Bar
2	495V.196	Bar Stop Bracket
3	162/208	Countersunk Head Screw, 2 B.A. X 1/4" long
4	495X.195A	Bar Stop Plate
5	162/208	Countersunk Head Screw, 2 B.A. X 1/4" long
6	495X.195A	Bar Stop Plate
7	495X.194A	Bar Stop Arm
8	495X.191A	Bar Stop Bracket
9	155/0408	Hexagon Socket Head Cap Screw, 1/4" B.S.F. X 1/4" long
10	154/04	Spring Washer, 1/4" dia.
11	495V.200A	Bar Stop Cam
12	128/6C	Pad Bush, 1/4" dia. X 1" long
13	173/06	Hexagon Nut, 3/8" B.S.F.
14	450X.131	Bar Stop Hand Lever
15	241/9	Bakelite Knob, 3/8" B.S.F. X 1/4" dia.
16	188/0420	Square Head Set Screw, 1/4" B.S.F. X 1 1/4" long
17	173/04	Hexagon Nut, 1/4" B.S.F.
18	495X.193A	Stop Bar
19	155/0414	Hexagon Socket Head Cap Screw, 1/4" B.S.F. X 1/4" long
20	154/04	Spring Washer, 1/4" dia.
21	173/06L	Hexagon Locknut, 3/8" dia.
22	128/6T	Pad Bush, 1/4" dia. X 1" long
23	130/05	Plain Washer, 3/8" dia.
24	167/0528H	Hexagon Head Set Screw, Hardened, 1/4" B.S.F. X 1/4" long
25	326/0414	Tension Pin, 1/4" dia. X 1/4" long
26	495X.192	Eccentric Pin
27	—	Cutter (Supplied by Tooling)
28	176/0406	Socket Set Screw, Cup Point, 1/4" B.S.F. X 1/4" long

List of Parts for
PLATE No. 68
(Drawing No. 495Z5B)

WHEN ORDERING SPARE PARTS ALWAYS QUOTE THE SERIAL NUMBER OF THE MACHINE



WICKMAN
MULTI-SPINDLE
AUTOMATICS

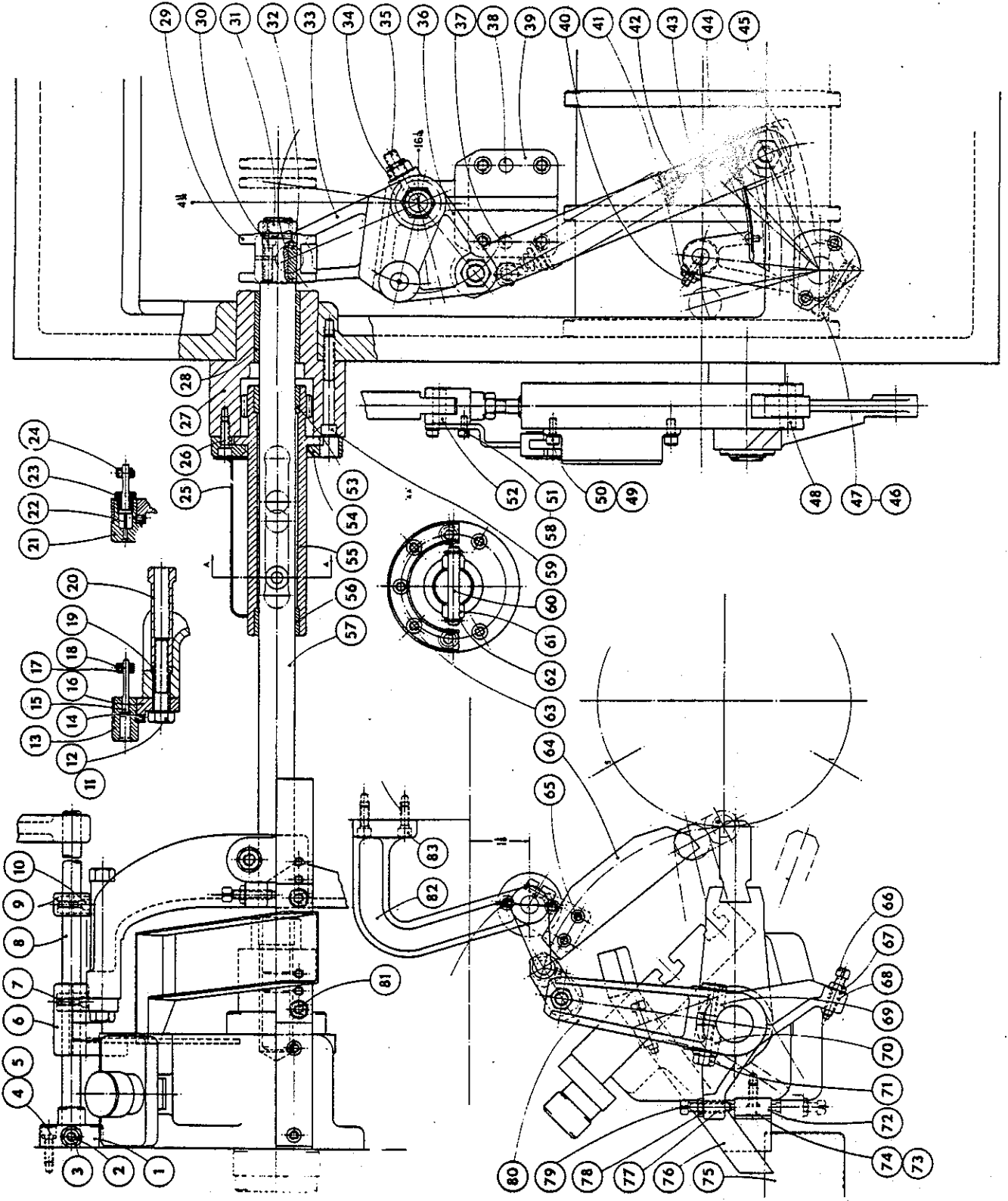
TRANSFER ARM PICK-UP ATTACHMENT, STATION 6 (See also 496Z2A)

3/4" - 6, 5/8" - 6S, 3/4" - 6D MACHINES

INDEX NO.	PART NO.	TITLE	INDEX NO.	PART NO.	TITLE	INDEX NO.	PART NO.	TITLE
1	496X.167A	Support Bush	28	236/162032	Oil Retaining Bush, 1" x 1 1/2" x 2" long	56	236/162012	Oil Retaining Bush, 1" x 1 1/2" x 3/4" long
2	203/04	Self-locking Nut, 1/2" B.S.F.	29	496X.115	Glut Sleeve	57	496V.103	Transfer Arm Shaft
3	176/0416	Socket Set Screw, Cup Point, 1/4" B.S.F. x 1" long	30	155/0416	Socket Head Cap Screw, 1/4" B.S.F. x 1" long	58	154/03	Spring Washer, 3/16" dia.
4	155/0412	Socket Head Cap Screw, 1/4" B.S.F. x 3/4" long	31	489X.143	Locknut	59	155/0540	Socket Head Cap Screw, 5/16" B.S.F. x 2 1/2" long
5	154/04	Spring Washer, 1/2" dia.	32	122/0816T	Parallel Key, 1/4" x 3/16" x 1" long	60	496X.124	Roller Pin
6	496X.166B	Guide Plate Support	33	496X.112A	Operating Lever	61	186X.113A	Roller
7	155/0408	Socket Head Cap Screw, 1/4" B.S.F. x 1/2" long	34	203/06	Self-locking Nut, 3/4" B.S.F.	62	327/0604	Cotter Pin, 3/32" dia. x 1/2" long
8	496X.193	Shaft	35	182/0524	Socket Set Screw, Taper Point, 3/8" B.S.F. x 1 1/2" long	63	155/0406	Socket Head Cap Screw, 1/4" B.S.F. x 3/8" long
9	496X.171B	Ejector	36	489X.117	Operating Plate	64	496X.165C	Guide Plate
10	155/0408	Socket Head Cap Screw, 1/4" B.S.F. x 1/2" long	37	489X.128	Dowel	65	159/208	Countersunk Socket Head Screw, 2 B.A. x 1/2" long
11	198/13	Lockwasher, Internal Teeth, 3/8" dia.	38	126/1216	Dowel, Hardened, 3/8" dia. x 1" long	66	188/0420	Square Head Set Screw, 1/4" B.S.F. x 1 1/2" long
12	169/0632	Hexagon Screw, High Tensile, 3/8" dia. x 3/16" long	39	496X.113A	Operating Lever Pivot Bracket	67	173/04D	Hexagon Nut, Double Chamfer
13	-	Pick-up Bush (Supplied by Tooling)	40	182/0414	Socket Set Screw, Taper Point, 1/4" B.S.F. x 7/8" long	68	2461-4CN	Helicoid Insert, 1/2" B.S.F. x 3/8" long
14	179/403	Socket Set Screw, Cup Point, 4 B.A. x 3/16" long	41	173/04D	Hexagon Nut, Double Chamfer, 1/4" B.S.F.	69	128/6T	Pad Bush, Threaded, 6/16" B.S.F.
15	-	Ejector (Supplied by Tooling)	42	496X.133	Spring	70	128/5C	Pad Bush, Plain
16	496X.102A	Adjustable Arm	43	165/204	Round Head Set Screw, 2 B.A. x 1/4" long	71	169/0532	Hexagon Screw, High Tensile, 6/16" B.S.F. x 2" long
17	-	Stop Bush (Supplied by Tooling)	44	489X.106	Scale	72	496/111A	Stop Bar
18	179/403	Socket Set Screw, Cup Point, 4 B.A. x 3/16" long	45	489Y.101	Quadrant Lever	73	154/04	Spring Washer, 1/4" dia.
19	496X.134	Bush	46	154/05	Spring Washer, 5/16" dia.	74	155/0412	Socket Head Cap Screw, 1/4" B.S.F. x 3/4" long
20	496X.135	Nut	47	155/0520	Socket Head Cap Screw, 5/16" B.S.F. x 1 1/4" long	75	496Y.139	Work Chute
21	-	Pick-up Bush (Supplied by Tooling)	48	450X.138	Housing Pin	76	496V.109B	Work Chute
22	-	Ejector (Supplied by Tooling)	49	154/04	Spring Washer, 1/4" dia.	77	2461-4CN	Helicoid Insert, 1/4" B.S.F. x 3/8" long
23	-	Screwed Bush (Supplied by Tooling)	50	155/0408	Socket Head Cap Screw, 1/4" B.S.F. x 1 1/2" long	78	173/04D	Hexagon Nut, Double Chamfer, 1/4" B.S.F.
24	-	Stop Bush (Supplied by Tooling)	51	155/206	Socket Head Cap Screw, 2 B.A. x 3/8" long	79	188/0420	Square Head Set Screw, 1/4" B.S.F. x 1 1/4" long
25	496X.136	Cover	52	496X.119	Link Pin	80	496V.101B	Transfer Arm
26	155/0412	Socket Head Cap Screw, 1/4" B.S.F. x 3/4" long	53	236/162012	Oil Retaining Bush, 1" x 1 1/2" x 1/4" long	81	496X.138	Screw
27	496V.106	Housing	54	496X.105	Retaining Cap	82	496X.192B	Support Bracket
			55	496V.104	Gear Sleeve	83	155/0410	Socket Head Cap Screw, 1/4" B.S.F. x 3/8" long

List of Parts for
PLATE No. 69
(Drawing No. 496Z1B)

WHEN ORDERING SPARE PARTS ALWAYS QUOTE THE SERIAL NUMBER OF THE MACHINE



**WICKMAN
MULTI-SPINDLE
AUTOMATICS**

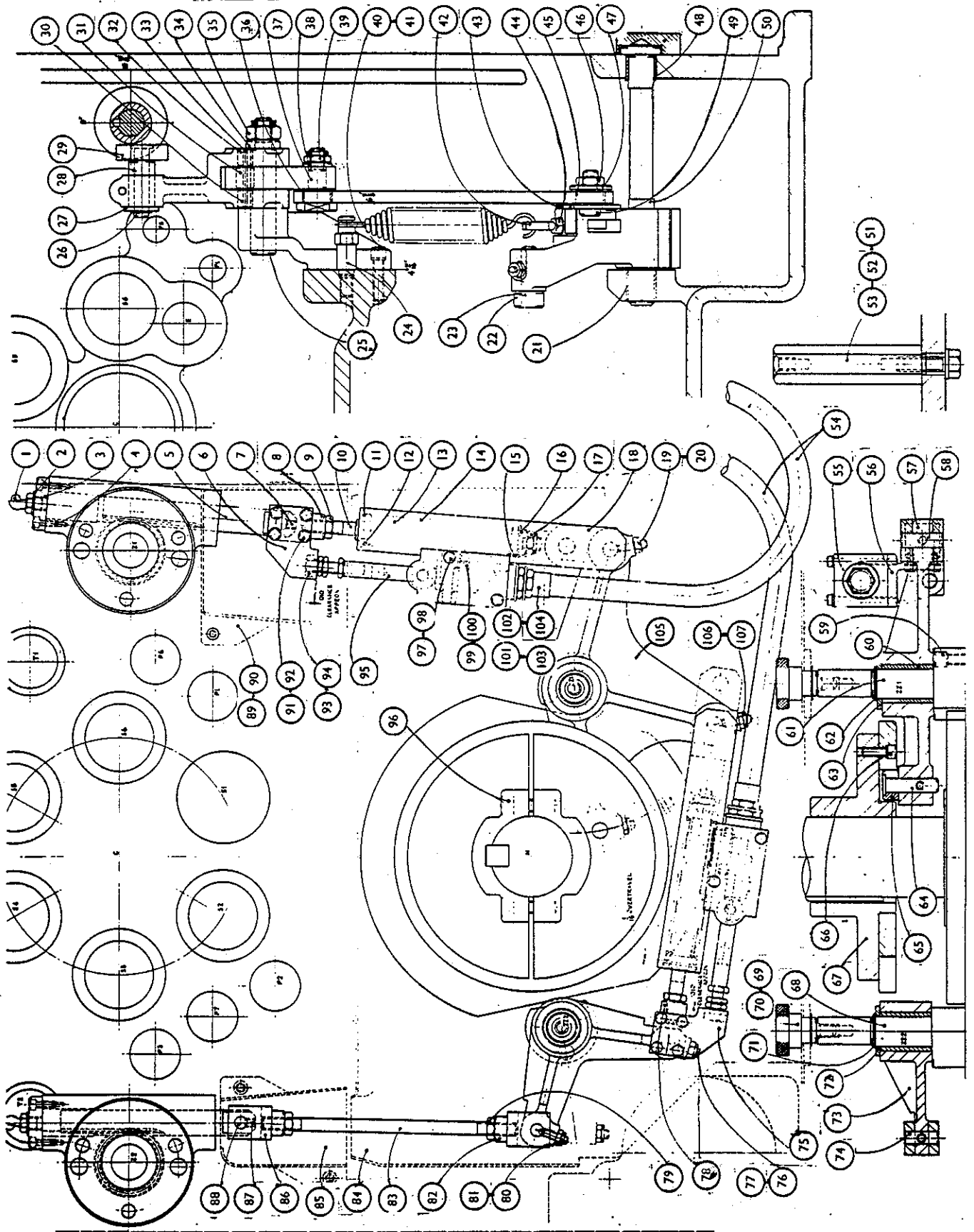
SECTION 496A

**TRANSFER ARM PICK-UP ATTACHMENT, 6TH AND 3RD STATIONS
¾"-6, ¾"-6S, ¾"-6D MACHINES**

INDEX NO.	PART NO.	TITLE	INDEX NO.	PART NO.	TITLE	INDEX NO.	PART NO.	TITLE
1	212/9018	¾" BSP Oil Nipple 90°	37	489X.125	Link Pin	73	496X.219	Connecting Lever
2	210/2525	¾" BSP Indicator Washer, Yellow	38	130/07	7/16" Plain Washer	74	496X.119	Link Pin
3	496X.127	Top Cap	39	203/07L	7/16" BSF Self Locking Locknut	75	496X.237	Trip Bracket
4	156/208	2BA Socket Head Cap Screw ¼" long	40	155/0520	5/16" BSF Socket Head Cap Screw 1½" long	76	182/0414	½" BSF Socket Set Screw 7/8" long Taper Point
5	496X.117	Rack	41	154/05	5/16" Spring Washer	77	203/04L	¾" BSF Self Locking Locknut
6	496X.237	Trip Bracket	42	489X.129	Spring Anchor	78	496X.120A	Link End
7	178/0405	¾" BSF Socket Set Screw 5/16" long Cup Point	43	489X.122	Sliding Sleeve	79	173/06L	¾" BSF Hexagon Locknut
8	496X.120A	Link End	44	173/05L	5/16" BSF Hexagon Locknut	80	203/04L	¾" BSF Self Locking Locknut
9	173/06L	¾" BSF Hexagon Locknut	45	489X.107	Link Bush	81	182/0414	½" BSF Socket Set Screw 7/8" long Taper Point
10	496X.118	Link Rod	46	173/07HL	7/16" BSF Hexagon Locknut, Hardened	82	496X.120A	Link End
11	356/93	15/16" Internal Retaining Ring	47	441X.116	Stotted Washer	83	496X.218	Connecting Rod
12	450X.134A	Spring Seat	48		Section 422	84	496Z.129C	Cam Cover
13	496X.122A	Spring	49	489X.123	Tee Bolt	85	496X.220A	Cover
14	496X.137	Compression Spring	50	489X.103	Pivot Pin	86	496X.120A	Link End
15	450X.134A	Spring Seat	51	130/07	7/16" Plain Washer	87	178/0405	Link Pin
16	450X.133A	Spacer	52	167/0724	7/16" BSF Hexagon Head Set Screw 1½" long	88	496X.119	Link Pin
17	203/06L	¾" BSF Self Locking Locknut	53	496X.233	Dummy Peg for Guard	89	155/0408	½" BSF Socket Head Cap Screw ½" long
18	496X.1218	Spring Housing	54	Type EF.	¾" BSP Anaconda Flexible Conduit	90	496V.230	Rod Cover Front
19	182/0416	¾" BSF Socket Set Screw 1" long Taper Point	55	851-F Type B	Square D Limit Switch	91	198/06	2BA Lock Washer
20	203/04L	¾" BSF Self Locking Locknut	56	496X.235A	Switch Bracket	92	156/206	2BA Socket Head Cap Screw ¾" long
21		Section 422	57	496X.107	Cam Lever	93	173/05L	Trip Bar
22	402X.129	Clutch Gut Roller	58	450X.138	Housing Pin	94	167/0524	5/16" BSF Hexagon Locknut
23	489X.121	Roller Pin	59	165/0520	5/16" BSF Socket Head Cap Screw 1½" long	95	496X.236	2BA Lock Washer
24	489X.144	Spring Anchor	60	236/141824	Oil Retaining Bush	96	155/0620	2BA Lock Washer
25	489X.139	Operating Lever Pivot	61	496X.125A	Lever Pivot	97	198/06	2BA Socket Head Cap Screw 1½" long
26	359/343	7/16" External Circclip	62	355/87	¾" External Ring	98	156/232	2BA Socket Head Cap Screw 2" long
27	496X.131	Sleeve	63	496X.130	Spacer	99	154/03	2BA Spring Washer
28	496X.132	Glut Pin	64	496X.128	Roller Pin	100	156/206	2BA Socket Head Cap Screw ¾" long
29	496X.114	Slipper	65	402X.129	Clutch Glut Roller	101	237/1210	¾" ¾" Reducer
30	489X.118	Shear Pin Bush	66	155/0412	¾" BSF Socket Head Cap Screw ¾" long	102	357/10	¾" Bonded Rubber Seal
31	419X.119	Shear Pin Bush	67	154/04	¾" Spring Washer	103	357/12	¾" Bonded Rubber Seal
32	419X.118	Shear Pin Bush	68	496V.108	Cam Carrier	104	No.6331B	Anaconda Straight Connector
33	124/0426	¾" Dia. Parallel Pin 1½" long	69	496X.125A	Lever Pivot	105	496V.107	Cam Lever
34	489X.142	Spacer	70	101/6	¾" External Circclip	106	182/0416	¾" BSF Socket Set Screw 1" long Taper Point
35	203/08	¾" BSF Self Locking Nut	71	496X.231	Screw for Guard	107	203/04L	¾" BSF Self Locking Locknut
36	489X.107	Link Bush	72	496X.130	Spacer			

List of Parts for
PLATE No.70
(Drawing No.496Z2C)

WHEN ORDERING SPARE PARTS ALWAYS QUOTE THE INSPECTION NUMBER OF THE MACHINE



SECTION NO. 4962C

WICKMAN
MULTI-SPINDLE
AUTOMATICS

SAW SLOTTING ATTACHMENT MK II, STATION 6

¾" - 6, ¾" - 6S, ¾" - 6D MACHINES

INDEX NO.	PART NO.	TITLE	INDEX NO.	PART NO.	TITLE	INDEX NO.	PART NO.	TITLE	INDEX NO.	PART NO.	TITLE
1	357/12	¾" Conduit Bonded Rubber Seal	41	496Z.141C	Body	81	496X.169	Spacer Washer			
2	237/1210	¾" - ¾" Conduit Reducer	42	496X.178	Motor Platform Bracket	82	236/F121624	Oilite Bush			
3	357/12	¾" Conduit Bonded Rubber Seal	43	496X.146A	Motor Platform Shaft	83	496X.154B	Saw Shaft			
4	T & B 6351	90° Elbow	44	203/04	¾" BSF Self Locking Nut	84	236/F121624	Oilite Bush			
5	Type EF	¾" BSP Anaconda 31" long	45	176/0414	¾" BSF Socket Set Screw ¾" long Cup Point	85	496X.160A	Saw Flange			
6	T & B 6381	Straight Connector	46	496X.145	Motor	86		2¾" Saw Supplied by Tooling			
7	357/12	¾" Conduit Bonded Rubber Seal	47	167/0516	5/16" Flat Washer	87	496X.195	Saw Flange			
8	237/1210	¾" - ¾" Conduit Reducer	48	130/05	Motor Platform	88	203/08L	¾" BSF Self Locking Locknut			
9	357/12	¾" Conduit Bonded Rubber Seal	49	496X.179	4 BA Round Head Screw ¼" long	89	168/214	2 BA Hexagon Head Set Screw 7/8" long			
10	K5/4	McGeogh Plug	50	165/404	Motor Platform	90	174/2L	2 BA Hexagon Locknut			
11	496V.144B	Chain Guard Back Plate	51	281/72	Instruction Plate	91	496X.170B	End Stop			
12	496V.142C	Chain Guard	52	203/05	5/16" BSF Self Locking Nut	92	126/1016	5/16" Dowel 1" long			
13	174/4	4 BA Hexagon Nut	53	496X.148A	Motor Adjusting Screw	93	496X.197	Leaf Spring			
14	165/404	4 BA Round Head Screw ¼" long	54	496X.183	Hinge Pin	94	103/114	Flexo Tube			
15	416X.107	Check Plate	55	167/0408	¾" BSF Hexagon Head Set Screw ½" long	95	174/2L	2 BA Hexagon Locknut			
16	179/203	2 BA Socket Set Screw 3/16" long, Cup Point	56	197/10	¾" Dia. Shakeproof Washer	96	496X.207	Stud			
17	121/0816T	3/16" square Tapped Key 1" long	57	173/04	¾" BSF Hexagon Nut	97	130/03	3/16" Flat Washer			
18		See Table 1	58	496X.229	Drive Guard	98	496X.136A	Cover			
19	496X.176	Saw Speed Plate	59	168/0416	¾" BSF Counter Sunk Head Screw 1" long	99	156/208	2 BA Socket Head Cap Screw ½" long			
20	167/0408	¾" BSF Hexagon Head Set Screw ¼" long	60	488X.121	Bijur 3 way Function	100	496X.164A	Pivot Shaft			
21	197/10	¾" Dia. Shakeproof Washer	61	224/105574	5/32" Bushing	101	154/03	2 BA Spring Washer			
22	179/203	2 BA Socket Set Screw 3/16" long Cup Point	62	225/2522	5/32" Copper Pipe	102	156/210	2 EA Socket Head Cap Screw 5/8" long			
23	355/62	¾" External Retaining Ring	63	224/60572	Straight Meter Valve	103	496X.190	Sleeve			
24		See Table 1	64	496X.147A	Motor Platform Bracket	104	167/0716	7/16" BSF Hexagon Head Set Screw 1" long			
25	165/404	4 BA Round Head Screw ¼" long	65	224/60588	Meter Junction	105	496X.203	Drip Guard Front			
26	174/4	4 BA Hexagon Nut	66	496X.184	Adjusting Nut	106	164/0408	¾" BSF Round Head Screw ½" long			
27	101/4	5/8" External Circlip	67	496X.152	Extractor Washer	107	126/0610	3/16" Dowel ¾" long			
28	496X.180	Hinge	68	NK 16/16	Ina Bearing 16 x 24 x 16mm	108	156/210	2 BA Socket Head Cap Screw 5/8" long			
29	155/0412	¾" BSF Socket Head Cap Screw ¾" long	69	496X.151A	Wormshaft	109	496X.210	Support Block			
30	496X.186	Tenon	70	269/17	Ball Journal 17 x 40mm x 11/16"	110	154/03	2 BA Spring Washer			
31	155/0814	¾" BSF Socket Head Cap Screw ¾" long	71	156/206	2 BA Socket Head Cap Screw ¾" long	111	164/0408	¾" BSF Round Head Screw ½" long			
32	169/0824	¾" BSF Hexagon Head Set Screw 1½" long	72	496X.153A	End Cap	112	496V.201	Slide Splash Guard Front			
33	496X.189	Adjusting Screw	73	179/203	2 BA Socket Set Screw 3/16" long Cup Point	113	496X.206	Spring Actuator			
34	155/0416	¾" BSF Socket Head Cap Screw 1" long	74		See Table 1	114	496X.194	Bush			
35	496X.188	Adjusting Block	75	121/0810T	3/16" Square Tapped Key 5/8" long	115	143/0610D	3/16" Dia. Mills Pin ¾" long			
36	496X.199	Collar	76	203/08L	¾" BSF Self Locking Locknut	116	197/10	¾" Shakeproof Washer			
37	125/0810	¾" Dia. Taper Pin ¾" long	77	496X.191	End Cap	117	167/0410	¾" BSF Hexagon Head Set Screw 5/8" long			
38	496X.187	Adjusting Block	78	203/07L	7/16" BSF Self Locking Locknut	118	496X.175A	Driving Chain			
39	155/0420	¾" BSF Socket Head Cap Screw 1¼" long	79	496X.155	Wormwheel	119	197/10	¾" Shakeproof Washer			
40	496X.143	Base Plate	80	122/0816T	3/16" x 5/32" Tapped Key 1" long	120	167/0408	¾" BSF Hexagon Head Set Screw ½" long			

List of Parts for
PLATE No.71
(Drawing No.49623C)

WHEN ORDERING SPARE PARTS ALWAYS QUOTE THE INSPECTION NUMBER OF THE MACHINE

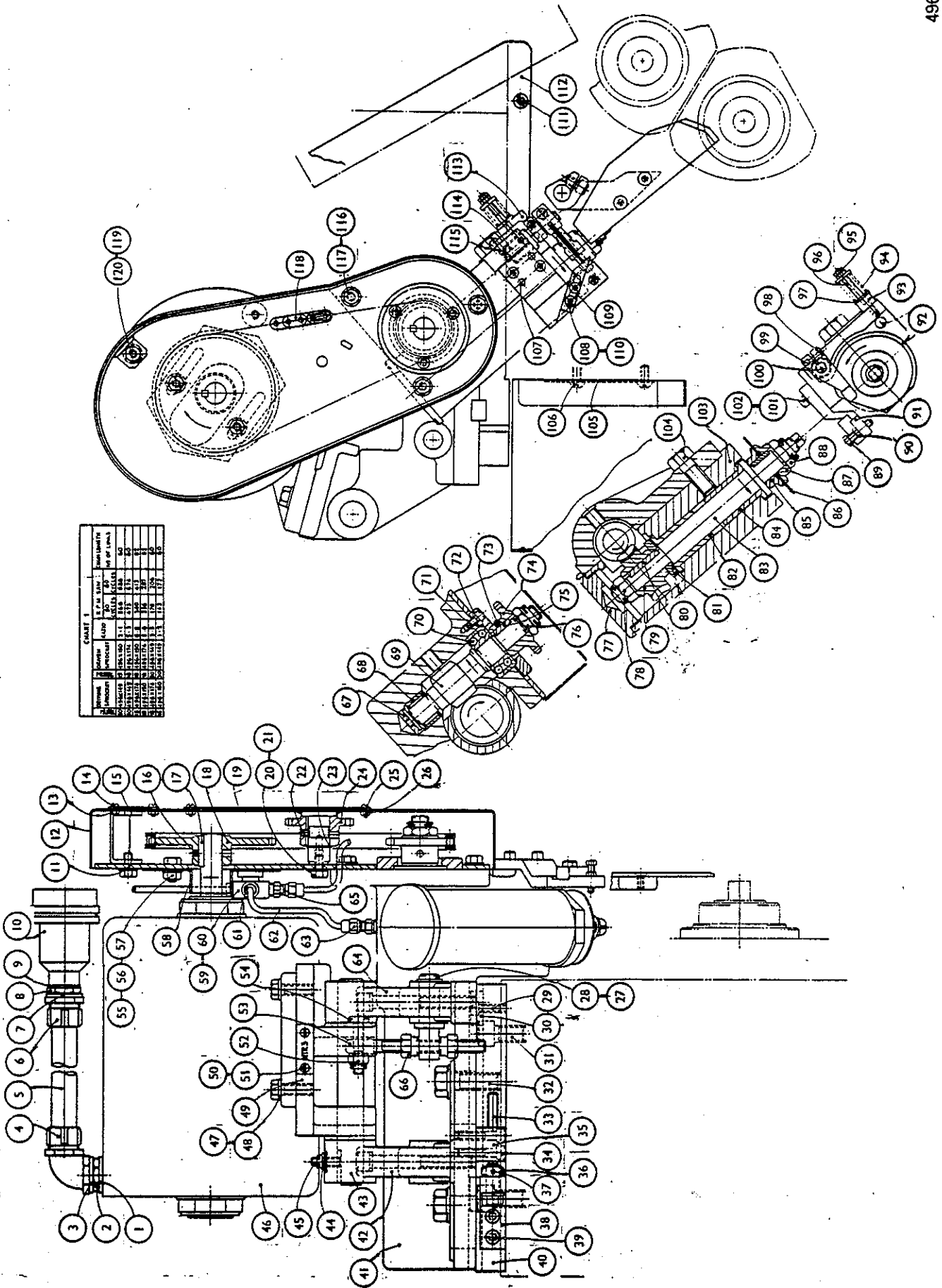


CHART 1

ITEM NO.	DESCRIPTION	QTY	UNIT	ASSEMBLY
1	BASE	1	EA	1
2	COVER	1	EA	1
3	SCREW	1	EA	1
4	SCREW	1	EA	1
5	SCREW	1	EA	1
6	SCREW	1	EA	1
7	SCREW	1	EA	1
8	SCREW	1	EA	1
9	SCREW	1	EA	1
10	SCREW	1	EA	1
11	SCREW	1	EA	1
12	SCREW	1	EA	1
13	SCREW	1	EA	1
14	SCREW	1	EA	1
15	SCREW	1	EA	1
16	SCREW	1	EA	1
17	SCREW	1	EA	1
18	SCREW	1	EA	1
19	SCREW	1	EA	1
20	SCREW	1	EA	1
21	SCREW	1	EA	1
22	SCREW	1	EA	1
23	SCREW	1	EA	1
24	SCREW	1	EA	1
25	SCREW	1	EA	1
26	SCREW	1	EA	1
27	SCREW	1	EA	1
28	SCREW	1	EA	1
29	SCREW	1	EA	1
30	SCREW	1	EA	1
31	SCREW	1	EA	1
32	SCREW	1	EA	1
33	SCREW	1	EA	1
34	SCREW	1	EA	1
35	SCREW	1	EA	1
36	SCREW	1	EA	1
37	SCREW	1	EA	1
38	SCREW	1	EA	1
39	SCREW	1	EA	1
40	SCREW	1	EA	1
41	SCREW	1	EA	1
42	SCREW	1	EA	1
43	SCREW	1	EA	1
44	SCREW	1	EA	1
45	SCREW	1	EA	1
46	SCREW	1	EA	1
47	SCREW	1	EA	1
48	SCREW	1	EA	1
49	SCREW	1	EA	1
50	SCREW	1	EA	1
51	SCREW	1	EA	1
52	SCREW	1	EA	1
53	SCREW	1	EA	1
54	SCREW	1	EA	1
55	SCREW	1	EA	1
56	SCREW	1	EA	1
57	SCREW	1	EA	1
58	SCREW	1	EA	1
59	SCREW	1	EA	1
60	SCREW	1	EA	1
61	SCREW	1	EA	1
62	SCREW	1	EA	1
63	SCREW	1	EA	1
64	SCREW	1	EA	1
65	SCREW	1	EA	1
66	SCREW	1	EA	1
67	SCREW	1	EA	1
68	SCREW	1	EA	1
69	SCREW	1	EA	1
70	SCREW	1	EA	1
71	SCREW	1	EA	1
72	SCREW	1	EA	1
73	SCREW	1	EA	1
74	SCREW	1	EA	1
75	SCREW	1	EA	1
76	SCREW	1	EA	1
77	SCREW	1	EA	1
78	SCREW	1	EA	1
79	SCREW	1	EA	1
80	SCREW	1	EA	1
81	SCREW	1	EA	1
82	SCREW	1	EA	1
83	SCREW	1	EA	1
84	SCREW	1	EA	1
85	SCREW	1	EA	1
86	SCREW	1	EA	1
87	SCREW	1	EA	1
88	SCREW	1	EA	1
89	SCREW	1	EA	1
90	SCREW	1	EA	1
91	SCREW	1	EA	1
92	SCREW	1	EA	1
93	SCREW	1	EA	1
94	SCREW	1	EA	1
95	SCREW	1	EA	1
96	SCREW	1	EA	1
97	SCREW	1	EA	1
98	SCREW	1	EA	1
99	SCREW	1	EA	1
100	SCREW	1	EA	1
101	SCREW	1	EA	1
102	SCREW	1	EA	1
103	SCREW	1	EA	1
104	SCREW	1	EA	1
105	SCREW	1	EA	1
106	SCREW	1	EA	1
107	SCREW	1	EA	1
108	SCREW	1	EA	1
109	SCREW	1	EA	1
110	SCREW	1	EA	1
111	SCREW	1	EA	1
112	SCREW	1	EA	1
113	SCREW	1	EA	1
114	SCREW	1	EA	1
115	SCREW	1	EA	1
116	SCREW	1	EA	1
117	SCREW	1	EA	1
118	SCREW	1	EA	1
119	SCREW	1	EA	1
120	SCREW	1	EA	1

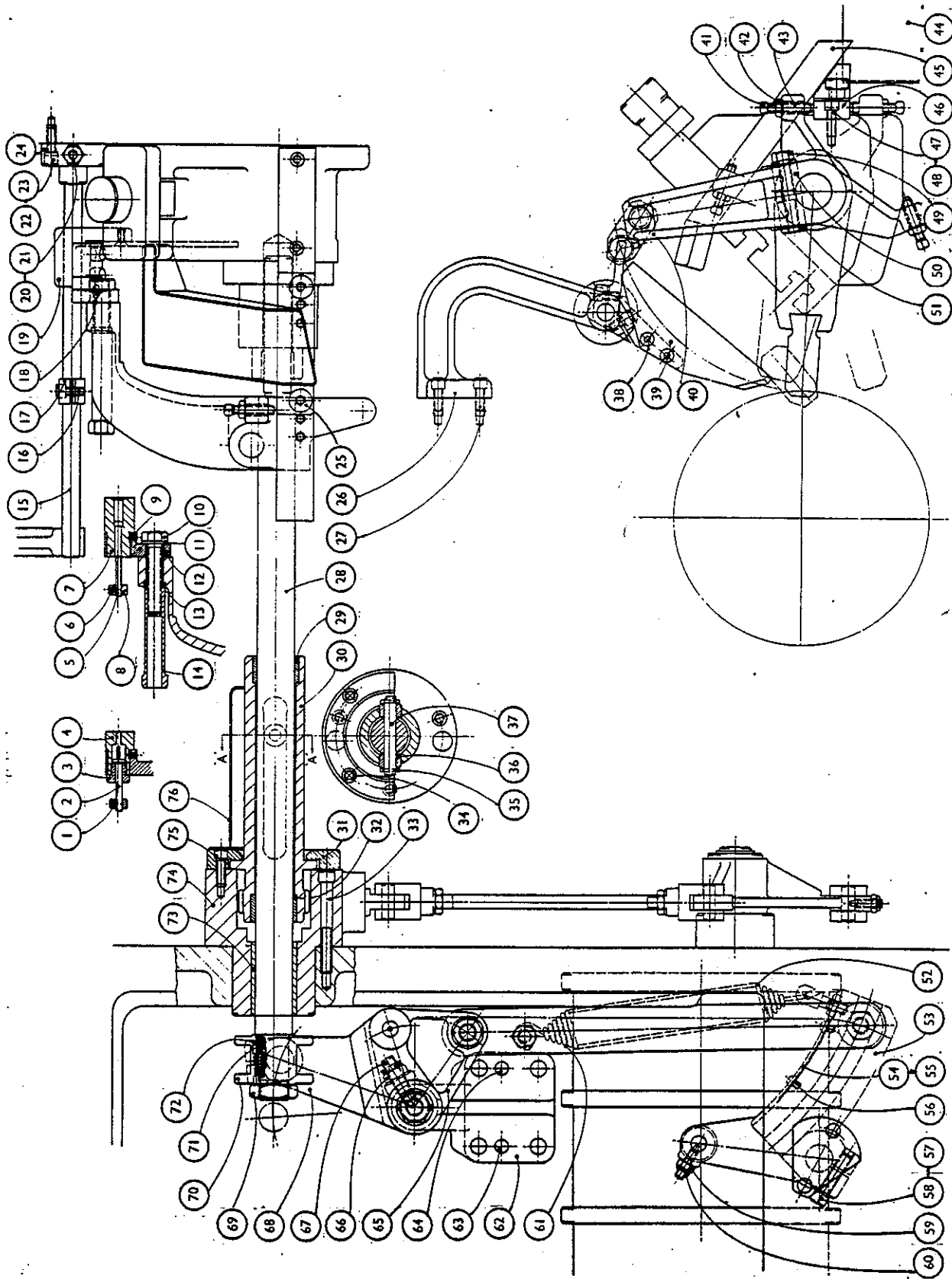
**WICKMAN
MULTI-SPINDLE
AUTOMATICS**

**SECTION 495
TRANSFER ARM PICK-UP ATTACHMENT 3RD STATION
½" -6 MACHINES**

INDEX PART NO.	TITLE	INDEX PART NO.	TITLE
1	Supplied by Tooling	39	496X.217B
2	Supplied by Tooling	40	496V.213
3	Supplied by Tooling	41	128/0420
4	Supplied by Tooling	42	173/04L
5	Supplied by Tooling	43	2461-4CN
6	4 B.A. Socket Set Screw 3/16" long cup point	44	496Y.216
7	Supplied by Tooling	45	496V.214
8	Supplied by Tooling	46	496X.212
9	4 B.A. Socket Set Screw 5/16" long cup point	47	155/0412
10	½" B.S.F. Hexagon Head Set Screw 2" long	48	154/04
11	¾" Lock Washer	49	169/0632
12	Adjustable Arm	50	128/5C
13	Bush	51	128/5T
14	Nut	52	489X.124
15	Shaft	53	489X.132
16	½" B.S.F. Socket Head Cap Screw ½" long	54	489X.106
17	Ejector	55	489X.148
18	¼" B.S.F. Socket Head Cap Screw ½" long	56	165/204
19	Guide Plate Support	57	154/05
20	¼" B.S.F. Self Locking Nut	58	155/0520
21	¼" B.S.F. Socket Set Screw 1" long cup point	59	203/04
22	½" Spring Washer	60	182/0416
23	¼" B.S.F. Socket Head Cap Screw ¾" long	61	489X.138
24	Support Bush	62	496X.113A
25	Screw	63	126/1216
26	Support Bracket	64	489X.128
27	¼" B.S.F. Socket Head Cap Screw ¾" long	65	489X.117
28	Transfer Arm Shaft	66	203/06
29	Oil Retaining Bush	67	182/0624
30	Gear Sleeve	68	496X.211
31	Retaining Cap	69	489X.143
32	Oil Retaining Bush	70	496X.115
33	5/16" B.S.F. Socket Head Cap Screw 2½" long	71	122/0816T
34	¼" B.S.F. Socket Head Cap Screw ¾" long	72	155/0416
35	3/32" Split Pin ½" long	73	236/162032
36	Roller	74	496V.106
37	Roller Pin	75	155/0412
38	2 B.A. Socket Counter Sunk Screw ½" long	76	496X.136

List of Parts for
PLATE No.72
(Drawing No.496Z4)

WHEN ORDERING SPARE PARTS ALWAYS QUOTE THE INSPECTION NUMBER OF THE MACHINE



SECTION 496D
SAW SLOTTING ATTACHMENT. MK II 3RD STATION
 ½" -6 MACHINES

WICKMAN
MULTI-SPINDLE
AUTOMATICS

INDEX PART NO.	TITLE	INDEX PART NO.	TITLE	INDEX PART NO.	TITLE	
1	197/10	41	496X.186	81	496X.152	Extractor Washer
2	167/0408	42	155/0412	82	NK 16/16	Ina Bearing
3	126/0610	43	101/4	83	496X.151A	Wormshaft
4	156/210	44	496X.180	84	289/17	Bell Journal 17mm x 40mm x 1.1/16"
5	496X.210	45	174/4	85	156/206	2 B.A. Socket Head Cap Screw ¾" long
6	154/2	46	165/404	86	496X.153A	End Cap
7	164/0408	47		87	179/203	2 B.A. Socket Set Screw 3/16" long Cup Point
8	496V.202	48	355/62	88		See Table I
9	496X.206	49	179/203	89	121/0610T	3/16" Square Tapped Key ¾" long
10	496X.194	50	167/0408	90	203/08L	½" B.S.F. Self Locking Locknut
11	143/0610D	51	197/10	91	496X.191	End Cap
12	197/10	52	496X.228A	92	203/07L	7/16" B.S.F. Self Locking Locknut
13	167/0410	53		93	496X.155	Wormwheel
14	496X.175A	54	121/0616T	94	122/0616T	3/16" x 5/32" Tapped Key 1" long
15	K 5/4	55	179/203	95	496X.159	Spacer Washer
16	357/12	56	496X.107	96	236/F121624	Oil Retaining Bush
17	237/1210	57	165/404	97	496X.154B	Jaw Shaft
18	357/12	58	174/4	98	236/F121624	Oil Retaining Bush
19	T & B.6361	59	496V.224A	99	496X.160A	Jaw Flange
20	Type EF.	60	496V.223A	100		2 ¼" saw, Supplied by Tooling
21	T & B.6351	61	167/0408	101	496X.195	Jaw Flange
22	357/12	62	197/10	102	168/214	2 B.A. Hexagon Head Set Screw 7/8" long
23	237/1210	63	173/04	103	174/2L	2 B.A. Hexagon Locknut
24	357/12	64	496X.229	104	496X.222	End
25	496X.145	65	468X.121	105	126/1016	5/16" Parallel Dowel 1" long
26	176/0410	66	158/0416	106	496X.197	Leaf Spring
27	203/04	67	224/105574	107	103114	Flexo
28	496X.146A	68	225/2522	108	174/2L	2 B.A. Hexagon Locknut
29	496X.178	69	224/60572	109	496X.207	Stud
30	496Z.227A	70	496X.147A	110	130/03	3/16" Flat Washer
31	496V.226	71	496X.148A	111	496X.136A	Cover
32	496X.187	72	203/05L	112	156/208	2 B.A. Socket Head Cap Screw ½" long
33	155/0420	73	291/73	113	496X.164A	Pivot Shaft
34	125/0810	74	164/404	114	156/210	2 B.A. Socket Head Cap Screw ¾" long
35	496X.199	75	496X.225	115	154/03	3/16" Spring Washer
36	155/0416	76	167/0516	116	496X.190	Sleeve
37	496X.188	77	130/05	117	167/0716	7/16" B.S.F. Hexagon Head Set Screw 1" long
38	496X.189	78	496X.184	118	496X.204	Drip Guard
39	169/0824	79	496X.147A	119	164/0408	½" B.S.F. Round Head Screw ½" long
40	155/0814	80	224/60588	120	203/08L	½" B.S.F. Self Locking Locknut

List of Parts for
 PLAJE No.73
 (Drawing No.496Z6A)

WHEN ORDERING SPARE PARTS ALWAYS QUOTE THE INSPECTION NUMBER OF THE MACHINE

